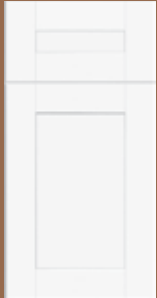


# Framed Fully Assembled



Presents



Lipton White



Lipton Grey



Lipton Blue



Manchester High Gloss White



Manchester High Gloss Metallic



Ashton White



Ashton Grey



Ashton Dark Grey



Ashton Blue



Rockford White



Rockford Cream



Rockford Grey



Rockford Dark Grey



Rockford Blue



Rockford Wheat



Rockford Espresso

## Wall Cabinets

**CEILING PANEL**  
Captured 1/2" thick plywood

**INTERIOR FINISH**  
Light birch vinyl laminate

**SOFT CLOSE DOOR**  
Standard on most cabinets

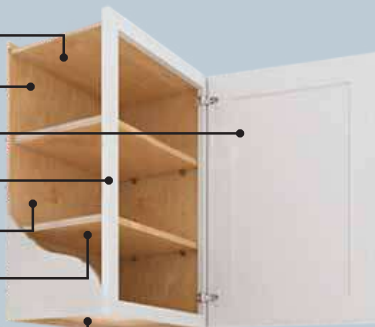
**FACE FRAMES**  
3/4" thick solid hardwood

**BACK PANEL**  
1/2" thick plywood

**ADJUSTABLE SHELVES**  
Full depth 3/4" thick plywood

**FLOOR PANELS**  
Captured 1/2" thick plywood

The small angled back panel on the Wall Angle cabinets is 1/4" thick MDF



## Base Cabinets

**FACE FRAMES**  
3/4" thick solid hardwood

**"I-BEAM" BRACES**  
Capture 1/2" thick plywood

**FULL EXTENSION SOFT CLOSE DRAWERS**  
Drawer box is 5/8" thick solid hardwood with dovetail carpentry joints

**ADJUSTABLE SHELVES**  
Full depth 3/4" thick plywood

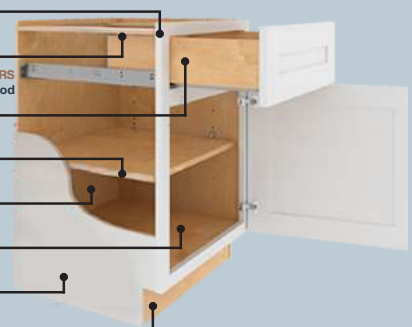
**BACK PANEL**  
1/2" thick plywood

**FLOOR PANEL**  
Captures 1/2" thick plywood

**END PANELS**  
1/2" thick plywood

**TOE KICK**  
Captured 1/2" thick plywood

The small angled back panel on the EZR base corner cabinets is 1/4" thick MDF



## WALL CABINET CODING

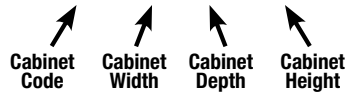
### STANDARD (12" DEEP)

**W 30 30**



### REFRIGERATOR (24" DEEP)

**W 36 24 18**

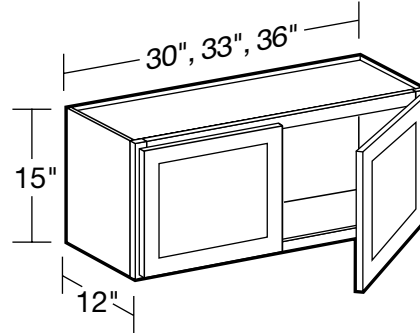


- All wall cabinets are 12" deep unless otherwise noted. Actual height of 24" high cabinets is 23½" overall. Refrigerator wall cabinets are 24" deep.
- Cabinet depth does not include door thickness
- Products are available in all door styles unless stated otherwise
- Standard cabinet exterior is color matched to face frame
- Soft close hinges

### 15" High Double Door



**CUSTOM DEPTH**



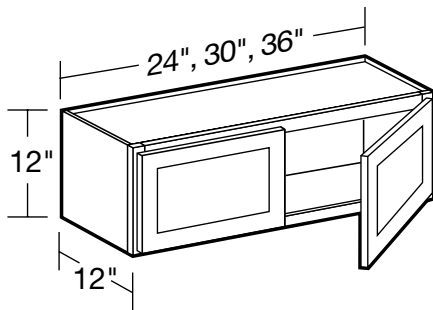
**W3015  
W3315  
W3615**

- No adjustable shelf
- **CUSTOM DEPTH: 5" to 15" deep**

### 12" High Double Door



**CUSTOM DEPTH**



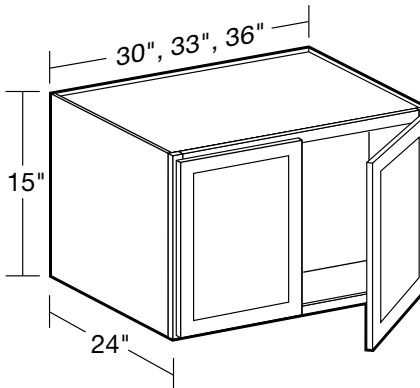
**W2412  
W3012  
W3612**

- No adjustable shelf
- **CUSTOM DEPTH: 5" to 15" deep**

### 15" High x 24" Deep Double Door



**CUSTOM DEPTH**



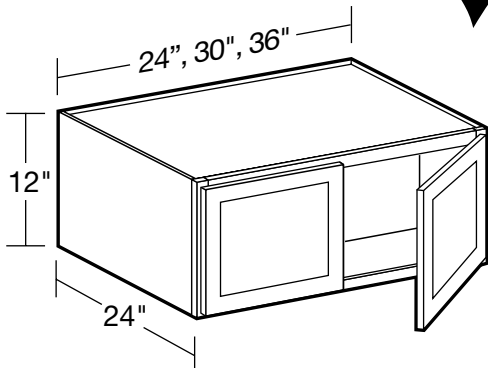
**W302415  
W332415  
W362415**

- No adjustable shelf
- Must be installed between two cabinets, cabinet and wall, or supported by refrigerator panels (RP)
- **CUSTOM DEPTH: 16" to 23" deep**

### 12" High x 24" Deep Double Door



**CUSTOM DEPTH**



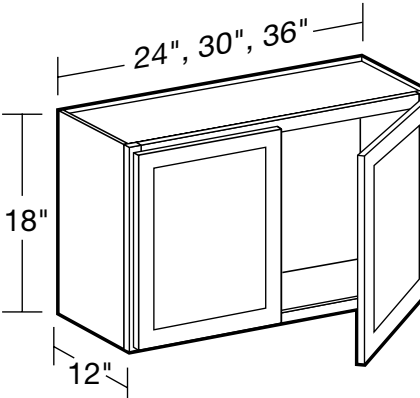
**W242412  
W302412  
W362412**

- No adjustable shelf
- Must be installed between two cabinets, cabinet and wall, or supported by refrigerator panels (RP)
- **CUSTOM DEPTH: 16" to 23" deep**

### 18" High Double Door



**CUSTOM DEPTH**

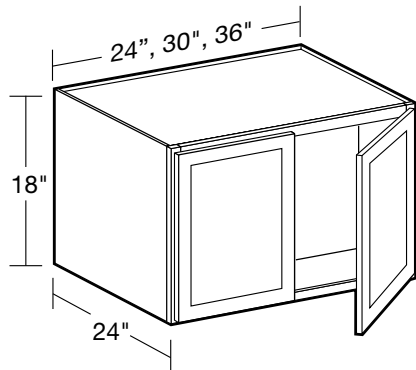


**W2418  
W3018  
W3618**

- No adjustable shelf
- **CUSTOM DEPTH: 5" to 15" deep**

# Wall Cabinets

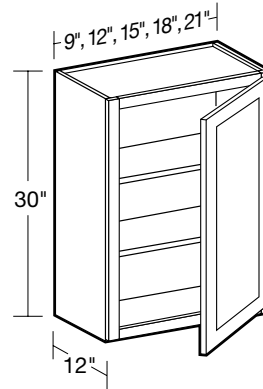
## 18" High x 24" Deep Double Door



W242418  
W302418  
W362418

- No adjustable shelf
- Must be installed between two cabinets, cabinet and wall, or supported by refrigerator panels (RP)
- **CUSTOM DEPTH: 16" to 23" deep**

## 30" High Single Door

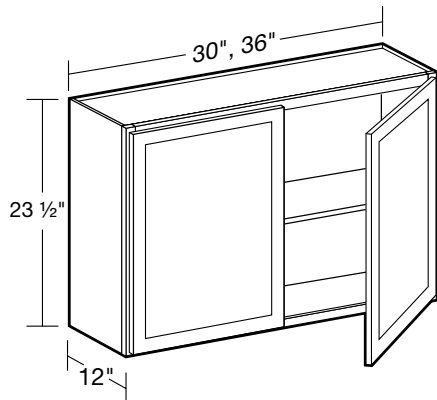


**SPECIFY RIGHT or LEFT HINGED**

W0930  
W1230  
W1530  
W1830  
W2130

- Two adjustable shelves
- **CUSTOM DEPTH: 5" to 15" deep**

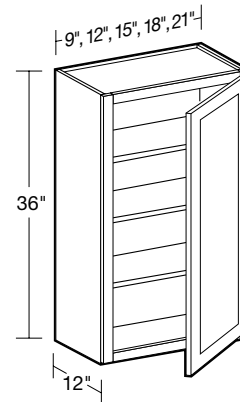
## 24" High Double Door



W3024  
W3624

- One adjustable shelf
- **CUSTOM DEPTH: 5" to 15" deep**

## 36" High Single Door

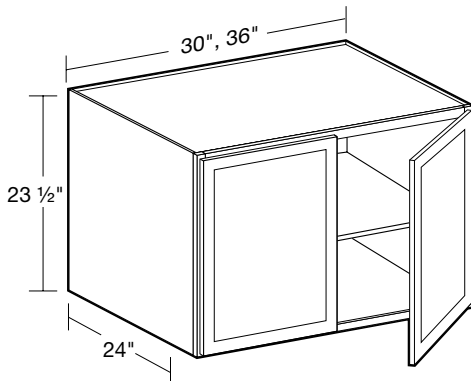


**SPECIFY RIGHT or LEFT HINGED**

W0936  
W1236  
W1536  
W1836  
W2136

- Three adjustable shelves
- **CUSTOM DEPTH: 5" to 15" deep**

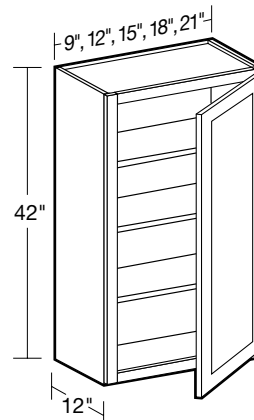
## 24" High x 24" Deep Double Door



W302424  
W362424

- One adjustable shelf
- Must be installed between two cabinets, cabinet and wall, or supported by refrigerator panels (RP)
- **CUSTOM DEPTH: 16" to 23" deep**

## 42" High Single Door



**SPECIFY RIGHT or LEFT HINGED**

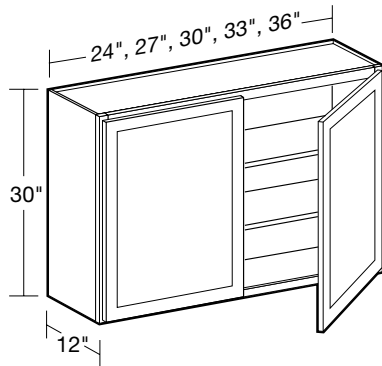
W0942  
W1242  
W1542  
W1842  
W2142

- Three adjustable shelves
- **CUSTOM DEPTH: 5" to 15" deep**

## 30" High Double Door



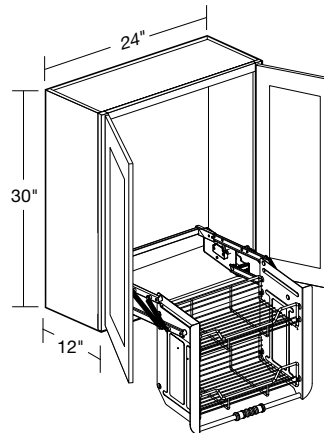
**CUSTOM DEPTH**



- Two adjustable shelves
- **CUSTOM DEPTH: 5" to 15" deep**

W2430  
W2730  
W3030  
W3330  
W3630

## 30" High Double Door with Pull Down Chrome Shelves



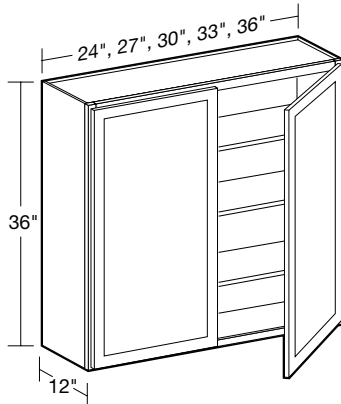
**W2430-PDSCR**

- **Field install at desired height in cabinet**
- Two tier chrome shelves lowers 10" and brings items forward 14<sup>3</sup>/<sub>4</sub>"
- Gas assisted mechanism smoothly raises and lowers unit
- Locking arm feature holds shelf in down position

## 36" High Double Door



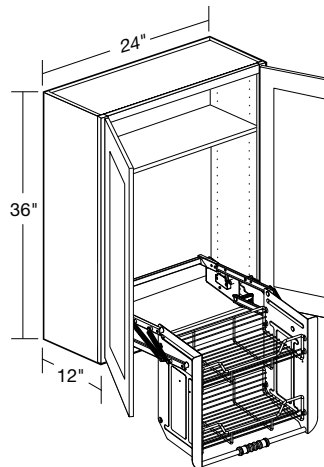
**CUSTOM DEPTH**



- Three adjustable shelves
- **CUSTOM DEPTH: 5" to 15" deep**

W2436  
W2736  
W3036  
W3336  
W3636

## 36" High Double Door with Pull Down Chrome Shelves



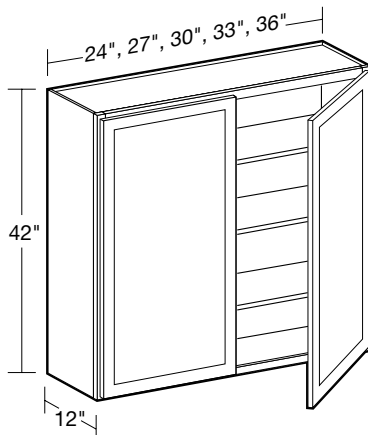
**W2436-PDSCR**

- **Field install at desired height in cabinet**
- Two tier chrome shelves lowers 10" and brings items forward 14<sup>3</sup>/<sub>4</sub>"
- Gas assisted mechanism smoothly raises and lowers unit
- Locking arm feature holds shelf in down position

## 42" High Double Door



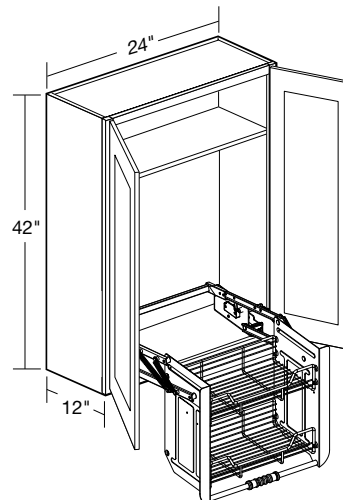
**CUSTOM DEPTH**



- Three adjustable shelves
- **CUSTOM DEPTH: 5" to 15" deep**

W2442  
W2742  
W3042  
W3342  
W3642

## 42" High Double Door with Pull Down Chrome Shelves

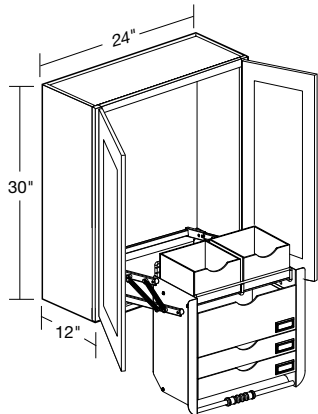


**W2442-PDSCR**

- **Field install at desired height in cabinet**
- Two tier chrome shelves lowers 10" and brings items forward 14<sup>3</sup>/<sub>4</sub>"
- Gas assisted mechanism smoothly raises and lowers unit
- Locking arm feature holds shelf in down position

# Wall Cabinets

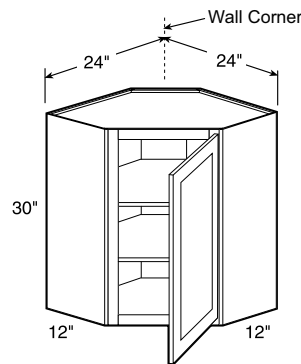
## 30" High Double Door with Pull Down Frosted Shelves



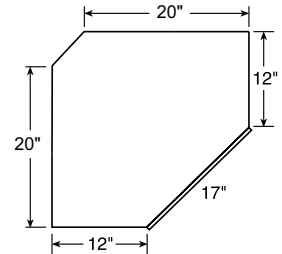
### W2430-PDSFR

- Field install at desired height in cabinet
- Features 5 removable acrylic storage bins
- Lowers items 10" and brings forward 14 3/4"
- Gas assisted mechanism smoothly raises and lowers unit

## 30" High Wall Angle

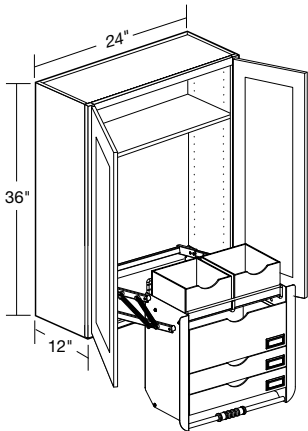


**SPECIFY  
RIGHT or LEFT HINGED  
WA2430**



- Two adjustable shelves
- Clip corner back provides clearance for installation
- Clip corner back is 1/4" MDF

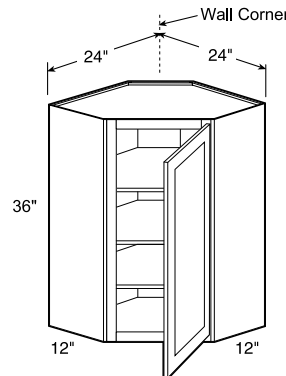
## 36" High Double Door with Pull Down Frosted Shelves



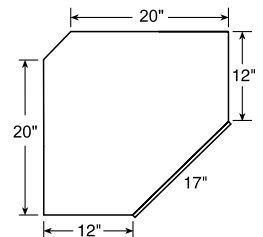
### W2436-PDSFR

- Field install at desired height in cabinet
- Features 5 removable acrylic storage bins
- Lowers items 10" and brings forward 14 3/4"
- Gas assisted mechanism smoothly raises and lowers unit

## 36" High Wall Angle

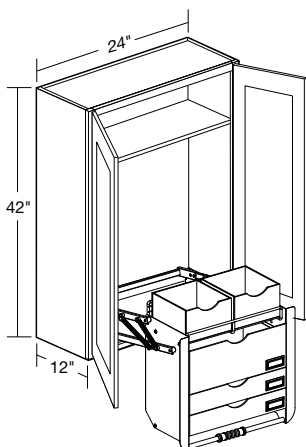


**SPECIFY  
RIGHT or LEFT HINGED  
WA2436**



- Three adjustable shelves
- Clip corner back provides clearance for installation
- Clip corner back is 1/4" MDF

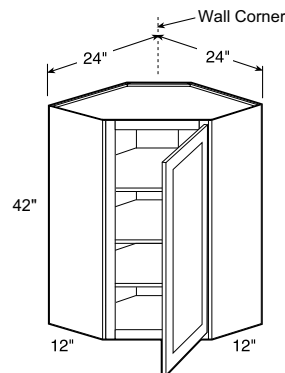
## 42" High Double Door with Pull Down Frosted Shelves



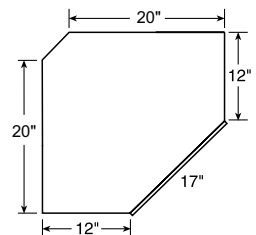
### W2442-PDSFR

- Field install at desired height in cabinet
- Features 5 removable acrylic storage bins
- Lowers items 10" and brings forward 14 3/4"
- Gas assisted mechanism smoothly raises and lowers unit

## 42" High Wall Angle

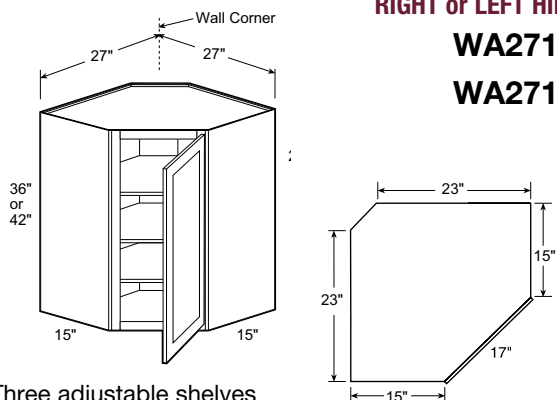


**SPECIFY  
RIGHT or LEFT HINGED  
WA2442**



- Three adjustable shelves
- Clip corner back provides clearance for installation
- Clip corner back is 1/4" MDF

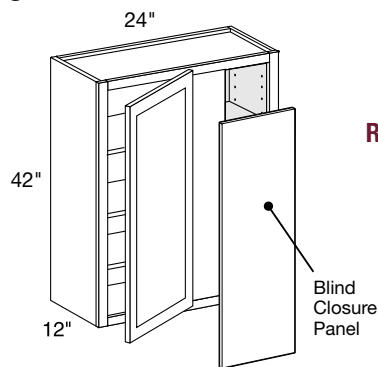
## 36" and 42" High x 15" Deep Wall Angle



**SPECIFY  
RIGHT or LEFT HINGED**  
**WA271536**  
**WA271542**

- Three adjustable shelves
- Clip corner back provides clearance for installation
- Clip corner back is 1/4" MDF

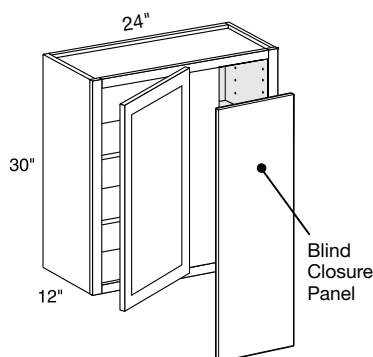
## 42" High Wall Blind Corner



**SPECIFY  
RIGHT or LEFT BLIND**  
**WBCU2742**

- Three adjustable shelves
- Indicate R or L for blind side (right shown)
- Cabinet can be pulled for exact fit (see installation chart)
- 3" filler & 3/16" blind closure panel included
- Door width is 11-3/4"
- **CUSTOM DEPTH: 5" to 15" deep**

## 30" High Wall Blind Corner

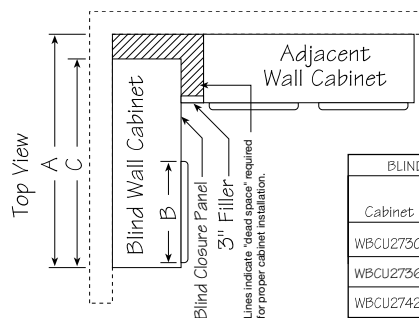


**SPECIFY  
RIGHT or LEFT BLIND**  
**WBCU2730**

- Two adjustable shelves
- Indicate R or L for blind side (right shown)
- Cabinet can be pulled for exact fit (see installation guide)
- 3" filler & 3/16" blind closure panel included
- Door width is 11-3/4"
- **CUSTOM DEPTH: 5" to 15" deep**

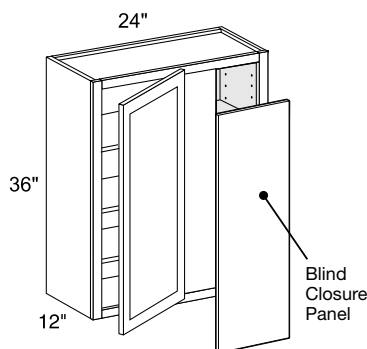
## Blind Corner Installation Guide

\*Gray area represents empty space. Cabinet is designed to be pulled for exact space.



Cabinet	Wall Space "A"		Frame Opening	Cabinet
	Min	Max	Width "B"	Width "C"
WBCU2730	25"	30"	8 7/8"	24"
WBCU2736	25"	30"	8 7/8"	24"
WBCU2742	25"	30"	8 7/8"	24"

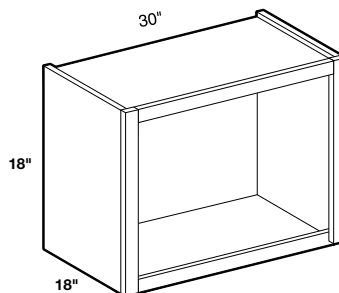
## 36" High Wall Blind Corner



**SPECIFY  
RIGHT or LEFT BLIND**  
**WBCU2736**

- Three adjustable shelves
- Indicate R or L for blind side (right shown)
- Cabinet can be pulled for exact fit (see installation guide)
- 3" filler & 3/16" blind closure panel included
- Door width is 11-3/4"
- **CUSTOM DEPTH: 5" to 15" deep**

## Wall Microwave Cabinet



**WMC301818**

- Matching interior and exterior standard
- Best installed between two cabinets or cabinet and wall if possible
- Cannot be installed against Wall Angle cabinet (WA) or Wall Blind Corner Unit (WBCU)

## WALL CABINET CODING

### STANDARD (12" DEEP)

**W 30 30**

Cabinet Code    Cabinet Width    Cabinet Height

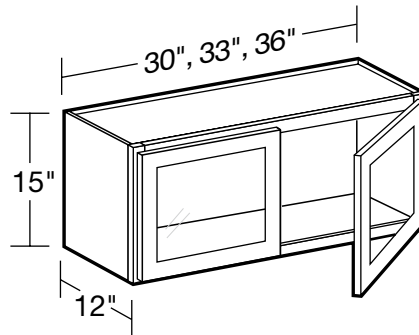
### REFRIGERATOR (24" DEEP)

**W 36 24 18**

Cabinet Code    Cabinet Width    Cabinet Depth    Cabinet Height

- Standard wall cabinets are 12" deep. Refrigerator wall cabinets are 24" deep.
- Cabinet depth does not include door thickness
- Not available in Waterford Vesper White (WVW) or Wembley Veiled Gray (WVG)
- Standard cabinet exterior is color matched to face frame
- Clear glass ships separate from cabinets
- Matching interiors are standard in PFG cabinets
- Soft close hinges

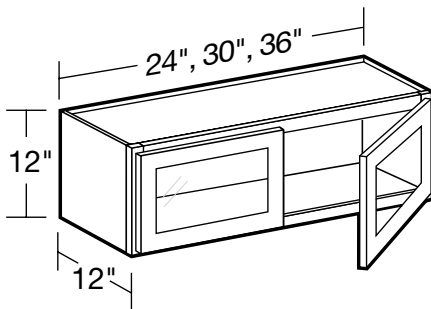
### 15" High Double Door



**W3015PFG**  
**W3315PFG**  
**W3615PFG**

- No adjustable shelf
- **CUSTOM DEPTH: 5" to 15" deep**

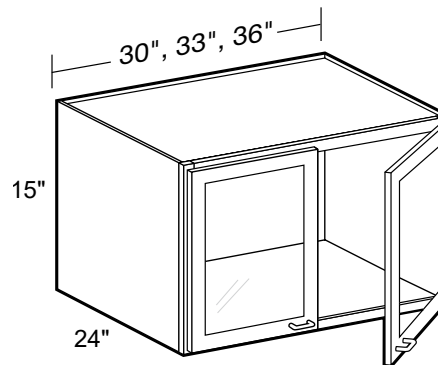
### 12" High Double Door



**W2412PFG**  
**W3012PFG**  
**W3612PFG**

- No adjustable shelf
- **CUSTOM DEPTH: 5" to 15" deep**

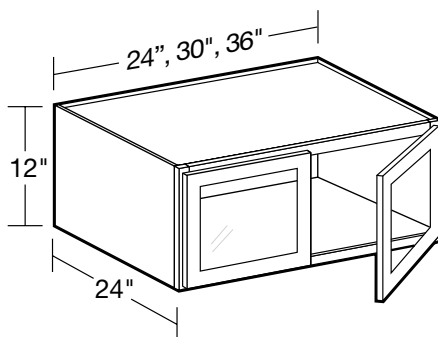
### 15" High x 24" Deep Double Door



**W302415PFG**  
**W332415PFG**  
**W362415PFG**

- No adjustable shelf
- Must be installed between two cabinets, cabinet and wall, or supported by refrigerator panels (RP)
- **CUSTOM DEPTH: 16" to 23" deep**

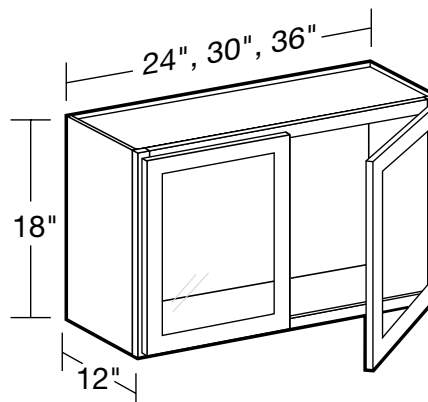
### 12" High x 24" Deep Double Door



**W242412PFG**  
**W302412PFG**  
**W362412PFG**

- No adjustable shelf
- Must be installed between two cabinets, cabinet and wall, or supported by refrigerator panels (RP)
- **CUSTOM DEPTH: 16" to 23" deep**

### 18" High Double Door

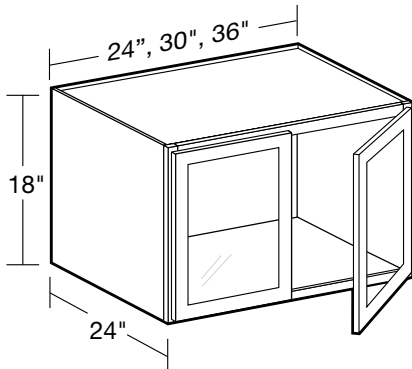


**W2418PFG**  
**W3018PFG**  
**W3618PFG**

- No adjustable shelf
- **CUSTOM DEPTH: 5" to 15" deep**

# Wall Cabinets with Glass Doors

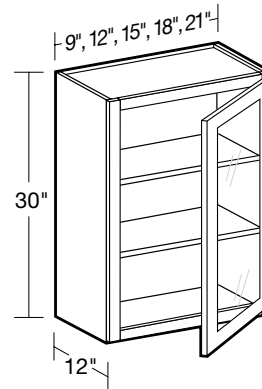
## 18" High x 24" Deep Double Door



W242418PFG  
W302418PFG  
W362418PFG

- No adjustable shelf
- Must be installed between two cabinets, cabinet and wall, or supported by refrigerator panels (RP)
- **CUSTOM DEPTH: 16" to 23" deep**

## 30" High Single Door

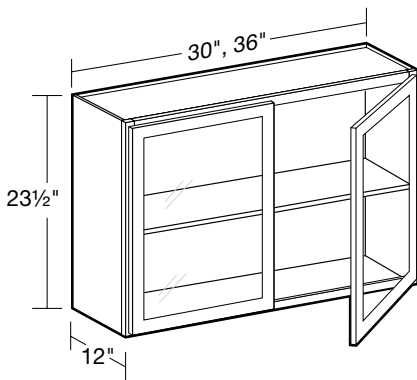


**SPECIFY RIGHT or LEFT HINGED**

W0930PFG  
W1230PFG  
W1530PFG  
W1830PFG  
W2130PFG

- Two adjustable shelves, matching cabinet finish
- **CUSTOM DEPTH: 5" to 15" deep**

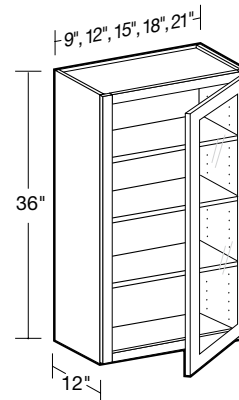
## 24" High Double Door



W3024PFG  
W3624PFG

- One adjustable shelf, matching cabinet finish
- **CUSTOM DEPTH: 5" to 15" deep**

## 36" High Single Door

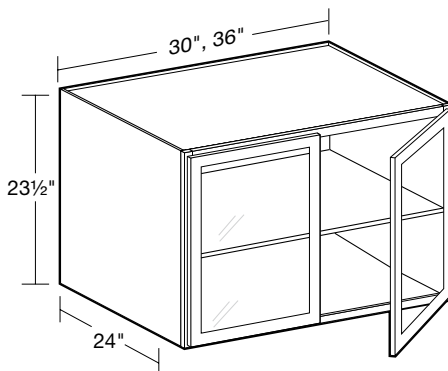


**SPECIFY RIGHT or LEFT HINGED**

W0936PFG  
W1236PFG  
W1536PFG  
W1836PFG  
W2136PFG

- Three adjustable shelves, matching cabinet finish
- **CUSTOM DEPTH: 5" to 15" deep**

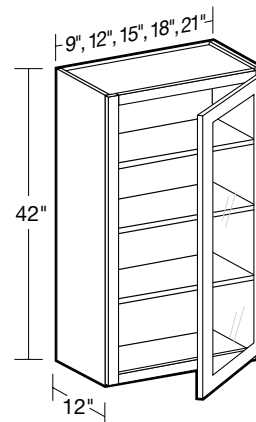
## 24" High x 24" Deep Double Door



W302424PFG  
W362424PFG

- One adjustable shelf, matching cabinet finish
- Must be installed between two cabinets, cabinet and wall, or supported by refrigerator panels (RP)
- **CUSTOM DEPTH: 16" to 23" deep**

## 42" High Single Door

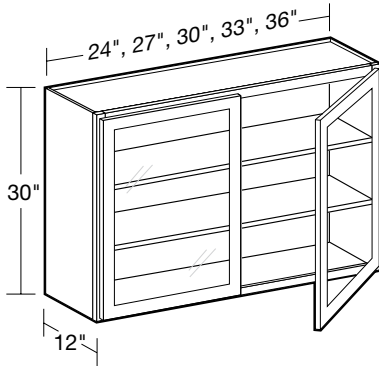


**SPECIFY RIGHT or LEFT HINGED**

W0942PFG  
W1242PFG  
W1542PFG  
W1842PFG  
W2142PFG

- Three adjustable shelves, matching cabinet finish
- **CUSTOM DEPTH: 5" to 15" deep**

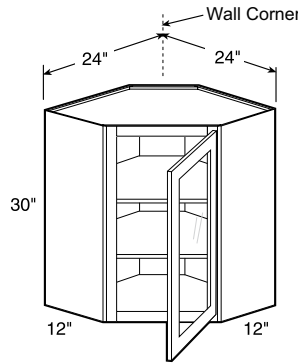
## 30" High Double Door



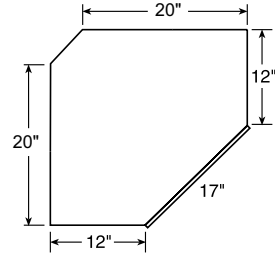
- W2430PFG
- W2730PFG
- W3030PFG
- W3330PFG
- W3630PFG

- Two adjustable shelves, matching cabinet finish
- **CUSTOM DEPTH: 5" to 15" deep**

## 30" High Wall Angle

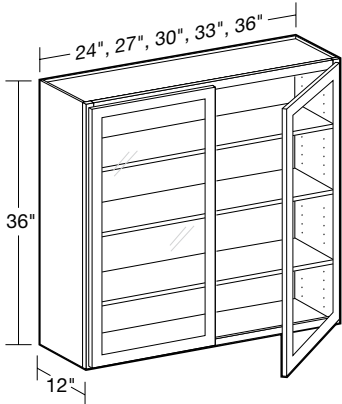


**SPECIFY  
RIGHT or LEFT HINGED  
WA2430PFG**



- Two adjustable shelves, matching cabinet finish
- Clip corner back provides clearance for installation
- Clip Corner is 1/4" MDF

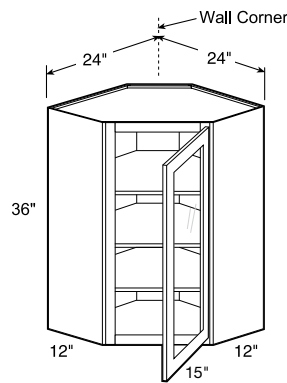
## 36" High Double Door



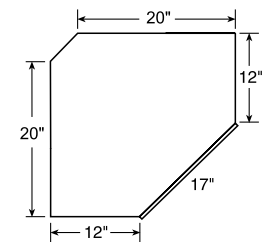
- W2436PFG
- W2736PFG
- W3036PFG
- W3336PFG
- W3636PFG

- Three adjustable shelves, matching cabinet finish
- **CUSTOM DEPTH: 5" to 15" deep**

## 36" High Wall Angle

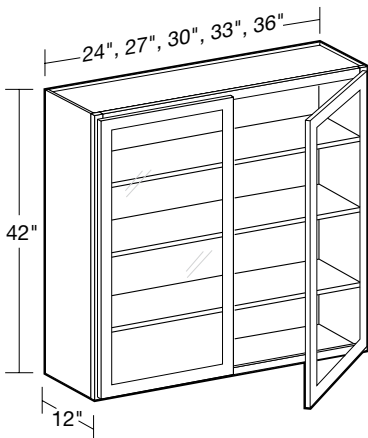


**SPECIFY  
RIGHT or LEFT HINGED  
WA2436PFG**



- Three adjustable shelves, matching cabinet finish
- Clip corner back provides clearance for installation
- Clip Corner is 1/4" MDF

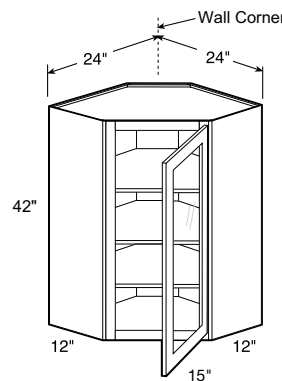
## 42" High Double Door



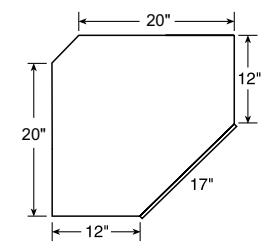
- W2442PFG
- W2742PFG
- W3042PFG
- W3342PFG
- W3642PFG

- Three adjustable shelves, matching cabinet finish
- **CUSTOM DEPTH: 5" to 15" deep**

## 42" High Wall Angle

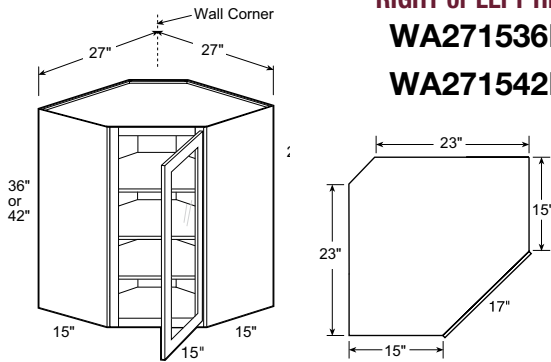


**SPECIFY  
RIGHT or LEFT HINGED  
WA2442PFG**



- Three adjustable shelves, matching cabinet finish
- Clip corner back provides clearance for installation
- Clip Corner is 1/4" MDF

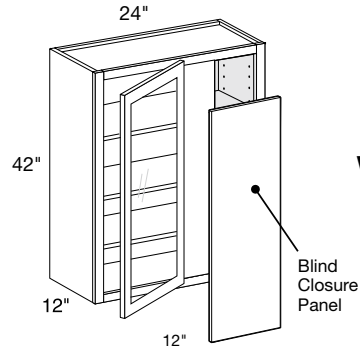
## 36" and 42" High x 15" Deep Wall Angle



**SPECIFY**  
**RIGHT or LEFT HINGED**  
**WA271536PFG**  
**WA271542PFG**

- Three adjustable shelves, matching cabinet finish
- Clip corner back provides clearance for installation
- Clip Corner is 1/4" MDF

## 42" High Wall Blind Corner

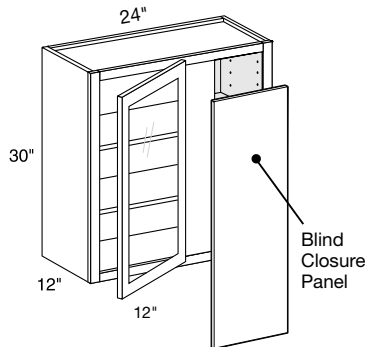


**CUSTOM DEPTH**

**SPECIFY**  
**RIGHT or LEFT BLIND**  
**WBCU2742PFG**

- Three adjustable shelves, matching cabinet finish
- Indicate R or L for blind side (right shown)
- Cabinet can be pulled for exact fit (see installation chart)
- 3" filler included & 3/16" blind closure panel included
- Door width is 11 3/4"
- **CUSTOM DEPTH: 5" to 15" deep**

## 30" High Wall Blind Corner

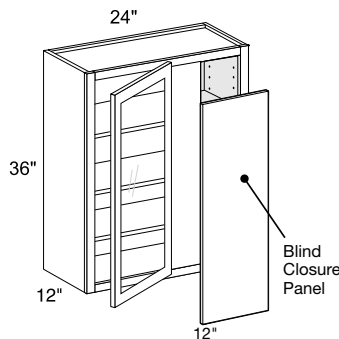


**CUSTOM DEPTH**

**SPECIFY**  
**RIGHT or LEFT BLIND**  
**WBCU2730PFG**

- Two adjustable shelves, matching cabinet finish
- Indicate R or L for blind side (right shown)
- Cabinet can be pulled for exact fit (see installation guide)
- 3" filler included & 3/16" blind closure panel included
- Door width is 11 3/4"
- **CUSTOM DEPTH: 5" to 15" deep**

## 36" High Wall Blind Corner

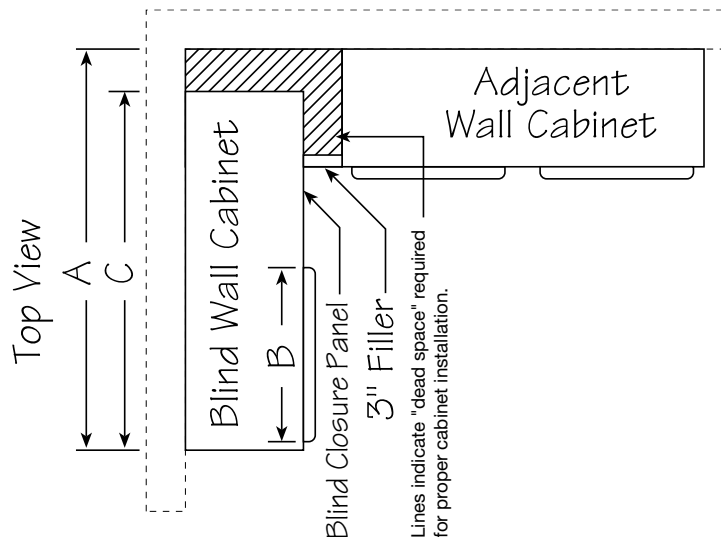


**CUSTOM DEPTH**

**SPECIFY**  
**RIGHT or LEFT BLIND**  
**WBCU2736PFG**

- Three adjustable shelves, matching cabinet finish
- Indicate R or L for blind side (right shown)
- Cabinet can be pulled for exact fit (see installation guide)
- 3" filler included & 3/16" blind closure panel included
- Door width is 11 3/4"
- **CUSTOM DEPTH: 5" to 15" deep**

## Blind Corner Installation Guide



BLIND WALL INSTALLATION GUIDE				
	Wall Space "A"		Frame Opening	Cabinet
Cabinet	Min	Max	Width "B"	Width "C"
WBCU2730	25"	30"	8 7/8"	24"
WBCU2736	25"	30"	8 7/8"	24"
WBCU2742	25"	30"	8 7/8"	24"

## WALL CABINET CODING

### STANDARD (12" DEEP)

**W 30 30**

Cabinet Code    Cabinet Width    Cabinet Height

### REFRIGERATOR (24" DEEP)

**W 36 24 18**

Cabinet Code    Cabinet Width    Cabinet Depth    Cabinet Height

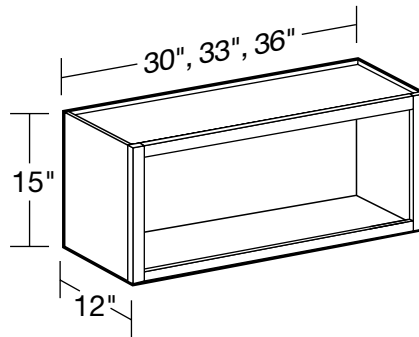
- Standard wall cabinets are 12" deep. Refrigerator wall cabinets are 24" deep.
- Matching interiors are standard in wall cabinets with no door
- Products are available in all door styles unless stated otherwise
- Standard cabinet exterior is color matched to face frame
- No Doors

### 15" High No Door



**CUSTOM DEPTH**

W3015ND  
W3315ND  
W3615ND



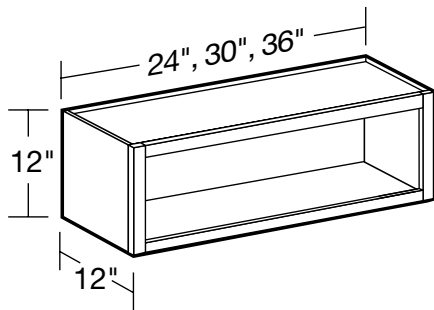
- No adjustable shelf
- **CUSTOM DEPTH: 5" to 15" deep**

### 12" High No Door



**CUSTOM DEPTH**

W2412ND  
W3012ND  
W3612ND



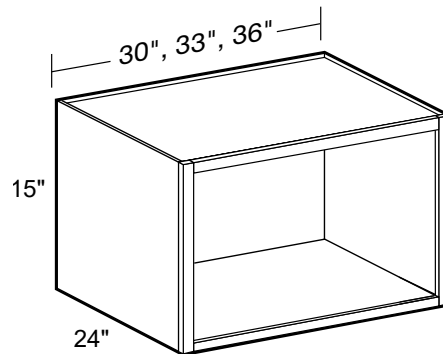
- No adjustable shelf
- **CUSTOM DEPTH: 5" to 15" deep**

### 15" High x 24" Deep No Door



**CUSTOM DEPTH**

W302415ND  
W332415ND  
W362415ND



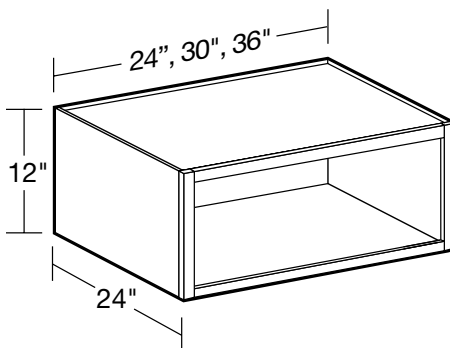
- No adjustable shelf
- Must be installed between two cabinets, cabinet and wall, or supported by refrigerator panels (RP)
- **CUSTOM DEPTH: 16" to 23" deep**

### 12" High x 24" Deep No Door



**CUSTOM DEPTH**

W242412ND  
W302412ND  
W362412ND



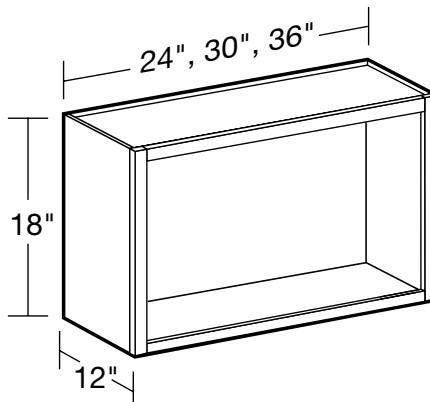
- No adjustable shelf
- Must be installed between two cabinets, cabinet and wall, or supported by refrigerator panels (RP)
- **CUSTOM DEPTH: 16" to 23" deep**

### 18" High No Door



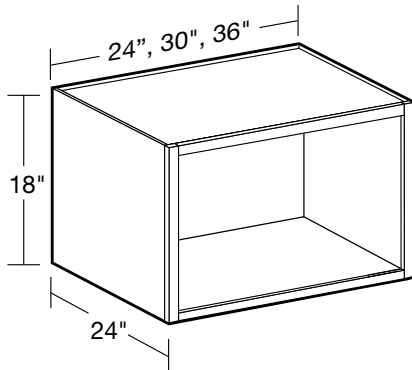
**CUSTOM DEPTH**

W2418ND  
W3018ND  
W3618ND



- No adjustable shelf
- **CUSTOM DEPTH: 5" to 15" deep**

## 18" High x 24" Deep No Door

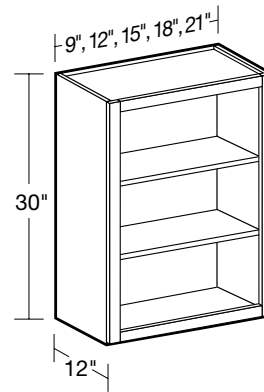


**CUSTOM DEPTH**

W242418ND  
W302418ND  
W362418ND

- No adjustable shelf
- Must be installed between two cabinets, cabinet and wall, or supported by refrigerator panels (RP)
- **CUSTOM DEPTH: 16" to 23" deep**

## 30" High No Door

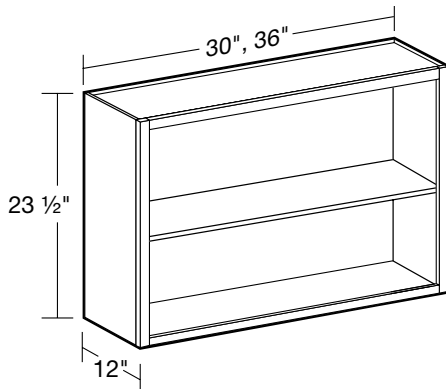


**CUSTOM DEPTH**

W0930ND  
W1230ND  
W1530ND  
W1830ND  
W2130ND

- Two adjustable shelves, matching cabinet finish
- **CUSTOM DEPTH: 5" to 15" deep**

## 24" High No Door

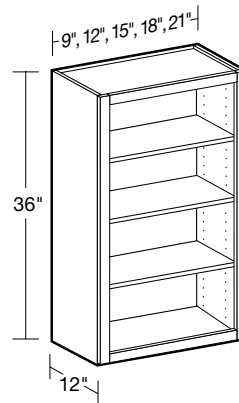


**CUSTOM DEPTH**

W3024ND  
W3624ND

- One adjustable shelf, matching cabinet finish
- **CUSTOM DEPTH: 5" to 15" deep**

## 36" High No Door

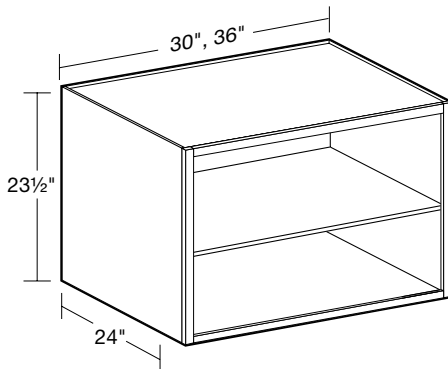


**CUSTOM DEPTH**

W0936ND  
W1236ND  
W1536ND  
W1836ND  
W2136ND

- Three adjustable shelves, matching cabinet finish
- **CUSTOM DEPTH: 5" to 15" deep**

## 24" High x 24" Deep No Door

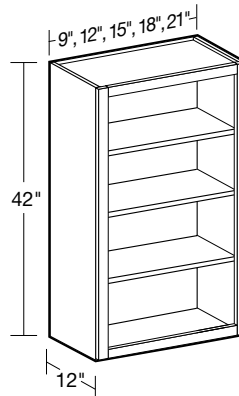


**CUSTOM DEPTH**

W302424ND  
W362424ND

- One adjustable shelf, matching cabinet finish
- Must be installed between two cabinets, cabinet and wall, or supported by refrigerator panels (RP)
- **CUSTOM DEPTH: 16" to 23" deep**

## 42" High No Door

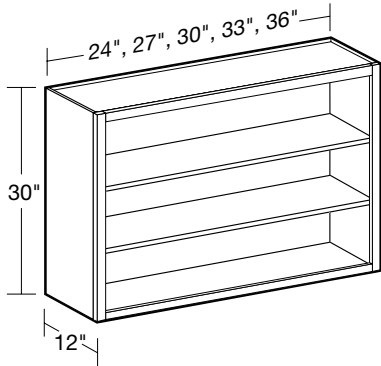


**CUSTOM DEPTH**

W0942ND  
W1242ND  
W1542ND  
W1842ND  
W2142ND

- Three adjustable shelves, matching cabinet finish
- **CUSTOM DEPTH: 5" to 15" deep**

## 30" High No Door

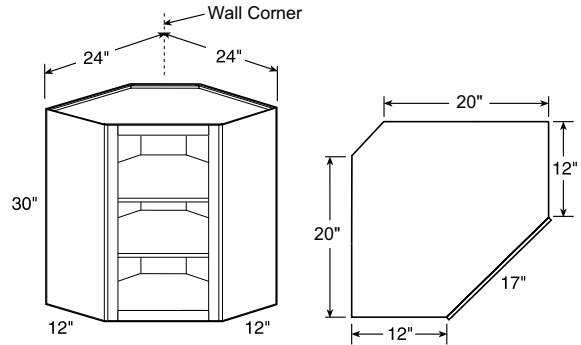


- W2430ND**
- W2730ND**
- W3030ND**
- W3330ND**
- W3630ND**

- Two adjustable shelves, matching cabinet finish
- **CUSTOM DEPTH: 5" to 15" deep**

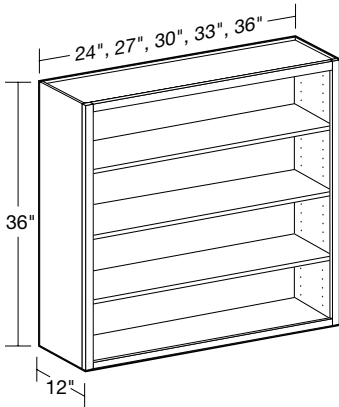
## 30" High Wall Angle

### WA2430ND



- Two adjustable shelves, matching cabinet finish
- Clip corner back provides clearance for installation
- Clip Corner is 1/4" MDF

## 36" High No Door

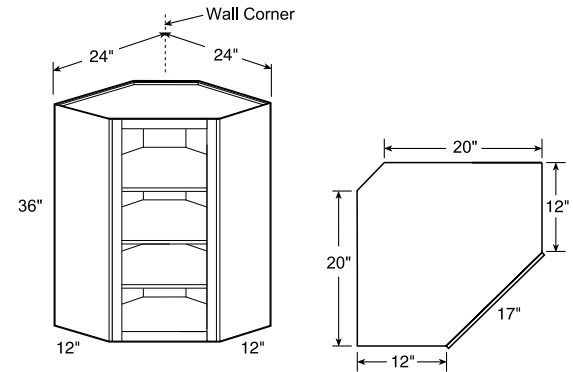


- W2436ND**
- W2736ND**
- W3036ND**
- W3336ND**
- W3636ND**

- Three adjustable shelves, matching cabinet finish
- **CUSTOM DEPTH: 5" to 15" deep**

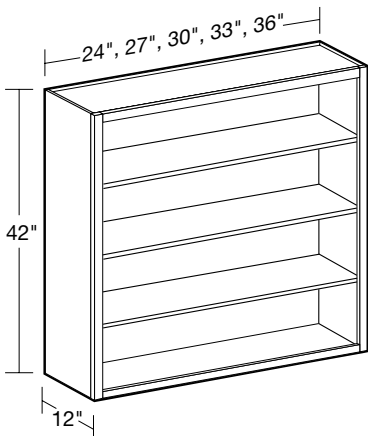
## 36" High Wall Angle

### WA2436ND



- Three adjustable shelves, matching cabinet finish
- Clip corner back provides clearance for installation
- Clip Corner is 1/4" MDF

## 42" High No Door

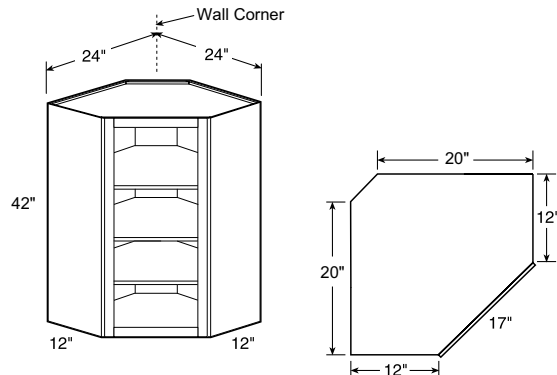


- W2442ND**
- W2742ND**
- W3042ND**
- W3342ND**
- W3642ND**

- Three adjustable shelves, matching cabinet finish
- **CUSTOM DEPTH: 5" to 15" deep**

## 42" High Wall Angle

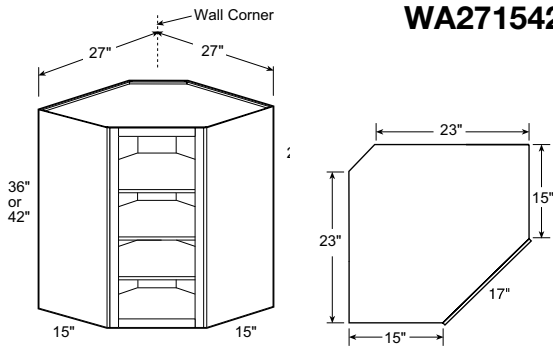
### WA2442ND



- Three adjustable shelves, matching cabinet finish
- Clip corner back provides clearance for installation
- Clip Corner is 1/4" MDF

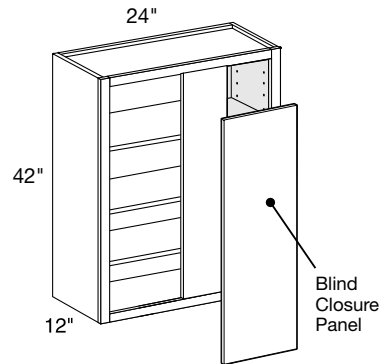
## 36" and 42" High x 15" Deep Wall Angle

**WA271536ND**  
**WA271542ND**



- Three adjustable shelves, matching cabinet finish
- Clip corner back provides clearance for installation
- Clip Corner is 1/4" MDF

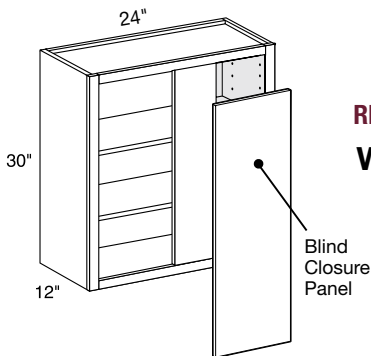
## 42" High Wall Blind Corner



**SPECIFY**  
**RIGHT or LEFT BLIND**  
**WBCU2742ND**

- Three adjustable shelves, matching cabinet finish
- Indicate R or L for blind side (right shown)
- Cabinet can be pulled for exact fit (see installation chart)
- 3" filler & 3/16" blind closure panel included
- **CUSTOM DEPTH: 5" to 15" deep**

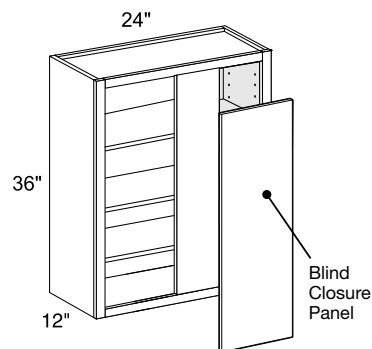
## 30" High Wall Blind Corner



**SPECIFY**  
**RIGHT or LEFT BLIND**  
**WBCU2730ND**

- Two adjustable shelves, matching cabinet finish
- Indicate R or L for blind side (right shown)
- Cabinet can be pulled for exact fit (see installation guide)
- 3" filler & 3/16" blind closure panel included
- **CUSTOM DEPTH: 5" to 15" deep**

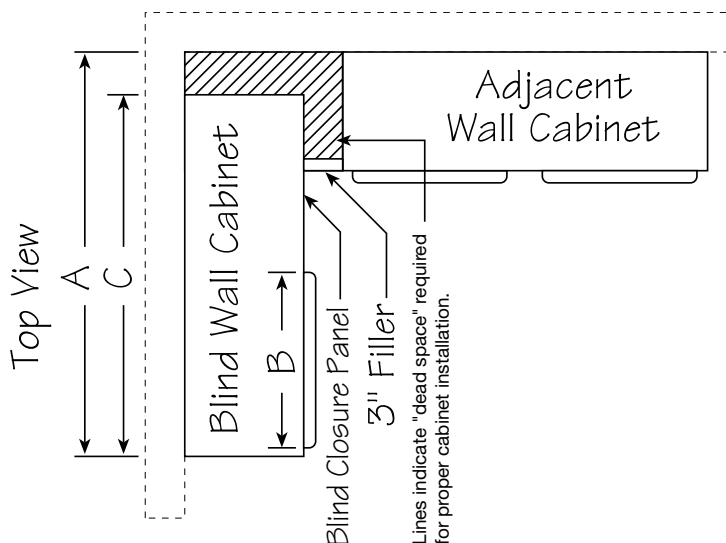
## 36" High Wall Blind Corner



**SPECIFY**  
**RIGHT or LEFT BLIND**  
**WBCU2736ND**

- Three adjustable shelves, matching cabinet finish
- Indicate R or L for blind side (right shown)
- Cabinet can be pulled for exact fit (see installation guide)
- 3" filler & 3/16" blind closure panel included
- **CUSTOM DEPTH: 5" to 15" deep**

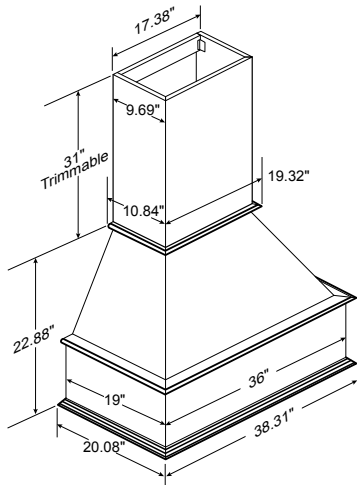
## Blind Corner Installation Guide



BLIND WALL INSTALLATION GUIDE			
	Wall Space "A"	Frame Opening	Cabinet
Cabinet	Min - Max	Width "B"	Width "C"
WBCU2730	25" - 30"	8 <sup>7</sup> / <sub>8</sub> "	24"
WBCU2736	25" - 30"	8 <sup>7</sup> / <sub>8</sub> "	24"
WBCU2742	25" - 30"	8 <sup>7</sup> / <sub>8</sub> "	24"

## Range Hood Combo - Straight Valance

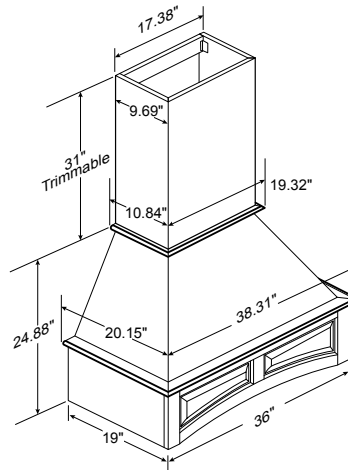
**WRHC36S**



- Available 36" width
- Includes Hood, Chimney, Hood Liner and Blower
- Chimney is trimmable to adjust the height
- Blower is 390 CFM, 6.0 sones, enclosed light
- Clearance of 3" on each side is recommended

## Range Hood Combo - Arched Valance

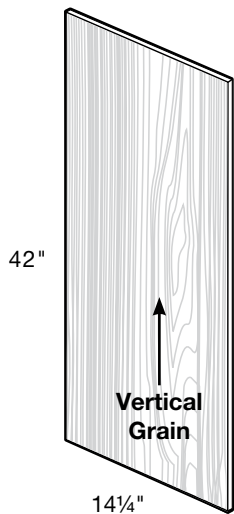
**WRHC36A**



- Available in 36" width
- Includes Hood, Chimney, Hood Liner and Blower
- Chimney is trimmable to adjust the height
- Blower is 390 CFM, 6.0 sones, enclosed light
- Clearance of 3" on each side is recommended
- Available in PW only

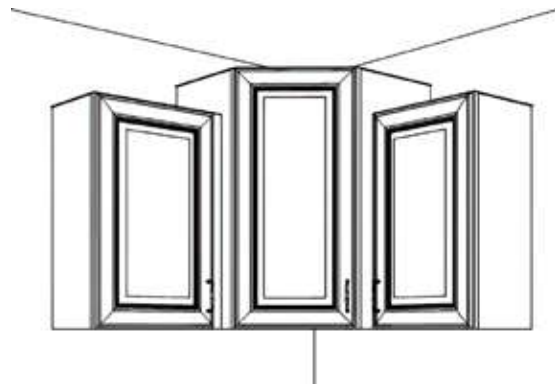
## 15" Wide Wall Skin

**WSK1542**



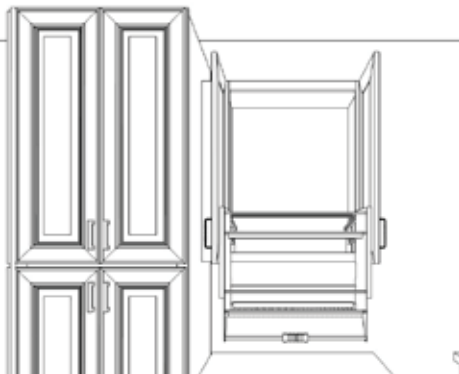
- 1/8" thick plywood finished with vinyl laminate color matched to cabinetry face frame
- Field modified and installed
- Can be modified for shallower depth and shorter wall cabinets
- Finish matches cabinetry face frame

## Staggering Upper Cabinets



When using the 27" Deep corner cabinets, make sure to place a 3/4" filler next to adjacent cabinet if the adjacent cabinet is shallower.

## Using the Wall Cabinet with accessories



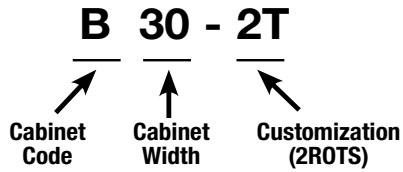
Make sure to allow proper clearance on each side so doors can open 90 degrees or more. This will allow the interior accessory to pull down correctly.

## Placing wall cabinets next to a return wall



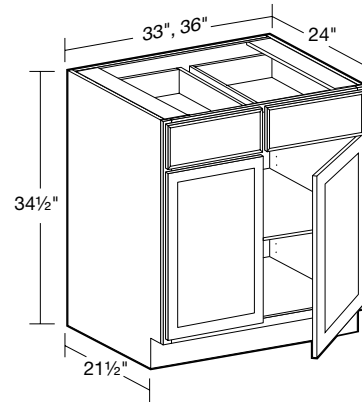
When placing cabinets against a side wall, use a minimum of 3/4" filler between wall and cabinet to allow doors to open

## BASE CABINET CODING



- Standard Base Cabinets are 24" deep and 34½" high
- Desk Height base cabinets are 21" deep and 28½" high
- Cabinet depth does not include door thickness
- Products are available in all door styles unless stated otherwise
- Standard cabinet exterior is color matched to face frame
- Base cabinets are shipped with an unfinished toekick. Finished toekicks in matching wood veneer or painted MDF must be ordered separately and field installed.
- Soft close hinges & full extension drawers with soft close

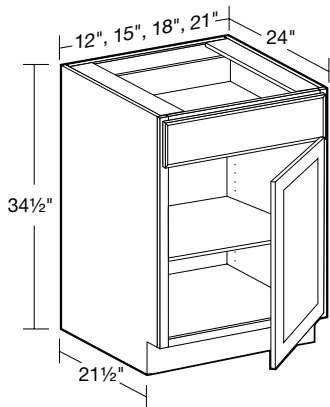
### 24" Deep Double Door



**B33**  
**B36**

- One full-depth adjustable shelf
- **CUSTOM DEPTH: 9" to 23" deep (9" to 14" deep options have false front & no drawer)**

### 24" Deep Single Door



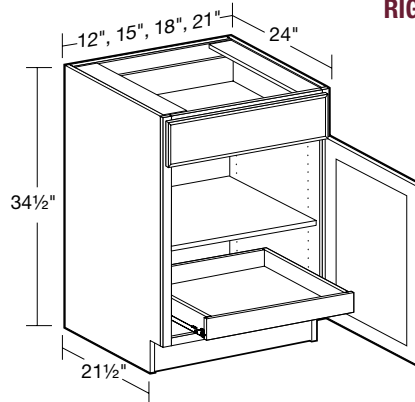
**SPECIFY RIGHT or LEFT HINGED**

**B12**  
**B15**  
**B18**  
**B21**

- One full-depth adjustable shelf
- **CUSTOM DEPTH: 9" to 23" deep (9" to 14" deep options have false front & no drawer)**

### 24" Deep Single Door with 1 Roll-Out Tray

**SPECIFY RIGHT or LEFT HINGED**

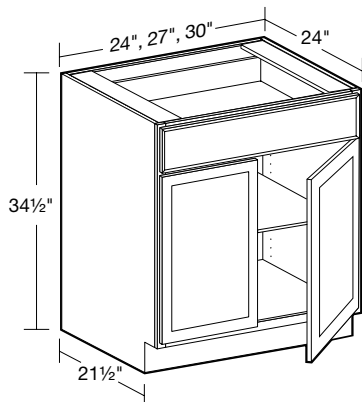


**B12-1T**  
**B15-1T**  
**B18-1T**  
**B21-1T**

- One full-depth adjustable shelf
- One full width roll-out tray

**NOTE: Roll-out trays are not full extension, soft close or adjustable**

### 24" Deep Double Door

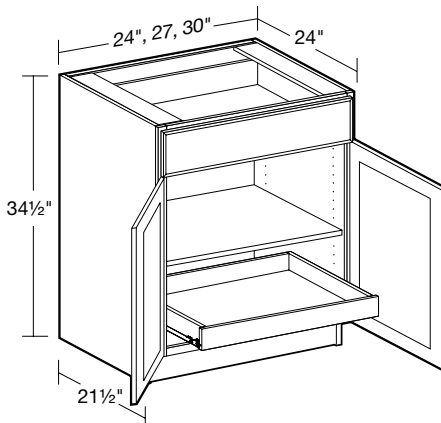


**B24**  
**B27**  
**B30**

- One full-depth adjustable shelf
- **CUSTOM DEPTH: 9" to 23" deep (9" to 14" deep options have false front & no drawer)**

### 24" Deep Double Door with 1 Roll-Out Tray

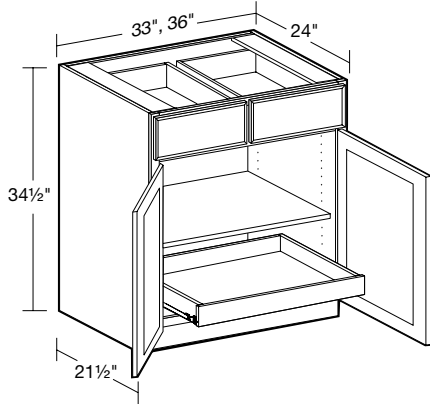
**B24-1T**  
**B27-1T**  
**B30-1T**



- One full-depth adjustable shelf
- One full width roll-out tray

**NOTE: Roll-out trays are not full extension, soft close or adjustable**

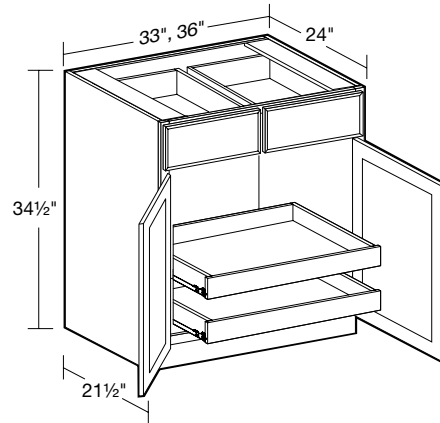
## 24" Deep Double Door with 1 Roll-Out Tray



**B33-1T**  
**B36-1T**

- One full-depth adjustable shelf
  - One full width roll-out tray
- NOTE:** Roll-out trays are not full extension, soft close or adjustable

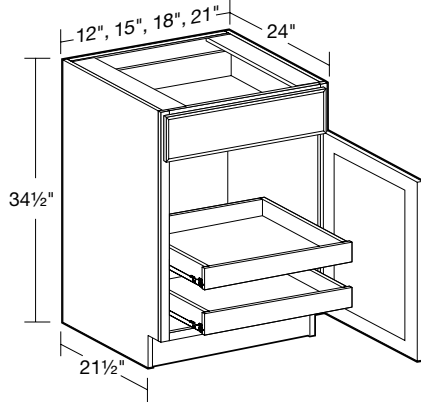
## 24" Deep Double Door with 2 Roll-Out Trays



**B33-2T**  
**B36-2T**

- Two full-depth roll-out trays
- NOTE:** Roll-out trays are not full extension, soft close or adjustable

## 24" Deep Single Door with 2 Roll-Out Trays



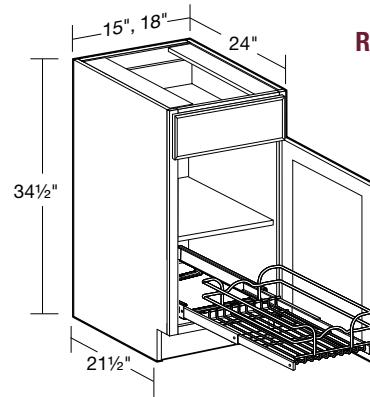
**SPECIFY**  
**RIGHT or LEFT HINGED**

**B12-2T**  
**B15-2T**  
**B18-2T**  
**B21-2T**

- Two full width roll-out trays

**NOTE:** Roll-out trays are not full extension, soft close or adjustable

## 24" Deep Single Door with 1 Chrome Roll-Out Tray

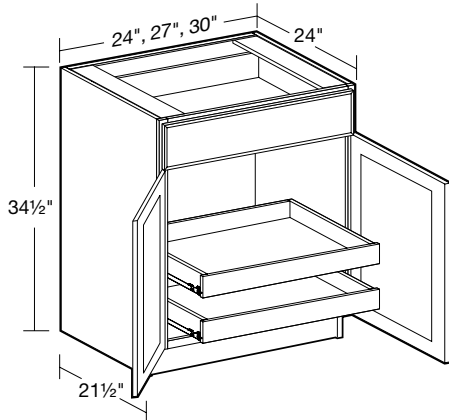


**SPECIFY**  
**RIGHT or LEFT HINGED**

**B15-1WT**  
**B18-1WT**

- **FIELD INSTALLED**
- One full width chrome wire roll-out tray
- 100 lb rated full-extension, ball bearing slides (not soft close)
- Floor mounting, not adjustable

## 24" Deep Double Door with 2 Roll-Out Trays

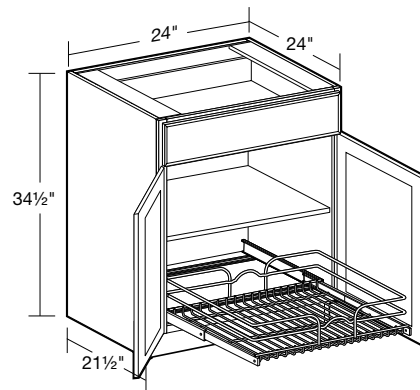


**B24-2T**  
**B27-2T**  
**B30-2T**

- Two full width roll-out trays

**NOTE:** Roll-out trays are not full extension, soft close or adjustable

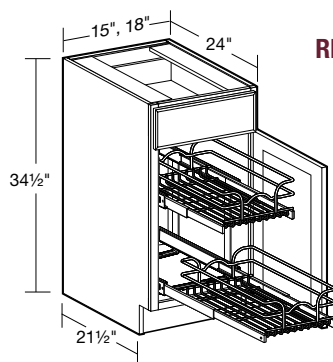
## 24" Deep Double Door with 1 Chrome Roll-Out Tray



**B24-1WT**

- **FIELD INSTALLED**
- One full width chrome wire roll-out tray
- 100 lb rated full-extension, ball bearing slides (not soft close)
- Floor mounting, not adjustable

## 24" Deep Single Door with 2 Chrome Roll-Out Trays

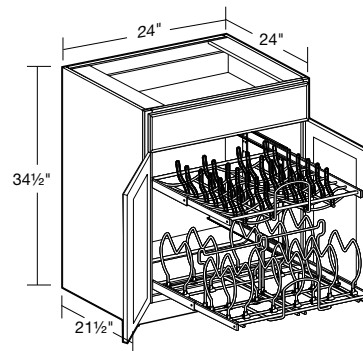


**SPECIFY  
RIGHT or LEFT HINGED**

**B15-2WT  
B18-2WT**

- **FIELD INSTALLED**
- Two full width chrome wire roll-out trays
- Features 100lb rated full-extension, ball bearing slides (not soft close)
- (3) adjustable heights
- Floor, side, and rear mounted

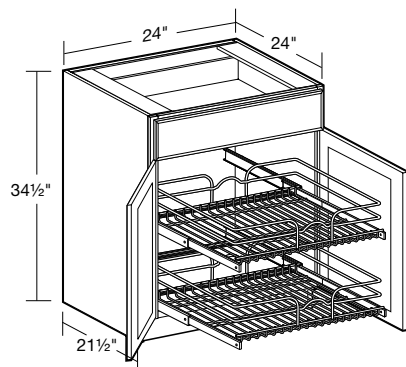
## 24" Deep Double Door with 2-Tier Cookware Organizer



**B24-CWO**

- **FIELD INSTALLED**
- Two chrome wire tiers operate independently
- Adjustable dividers on bottom tier accommodate different size pots and pans
- Floor, side, and rear mounted
- 100lb rated full-extension soft close ball-bearing slides

## 24" Deep Double Door with 2 Chrome Roll-Out Trays



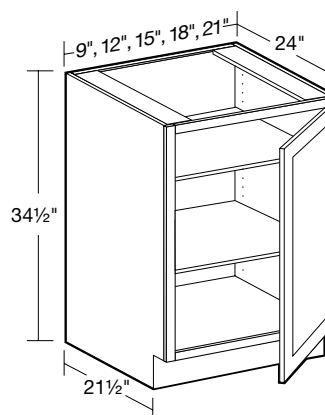
**B24-2WT**

- **FIELD INSTALLED**
- Two full width chrome wire roll-out trays
- Features 100lb rated full-extension, ball bearing slides (not soft close)
- (3) adjustable heights
- Floor, side, and rear mounted

## 24" Deep Single Full Height Door



**CUSTOM  
DEPTH**

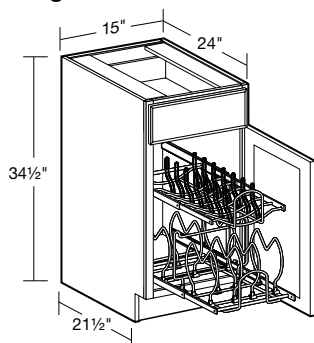


**SPECIFY  
RIGHT or LEFT HINGED**

**B09FH  
B12FH  
B15FH  
B18FH  
B21FH**

- Two full-depth adjustable shelves
- **CUSTOM DEPTH: 9" to 23" deep**

## 24" Deep Single Door with 2-Tier Cookware Organizer



**SPECIFY  
RIGHT or LEFT HINGED**

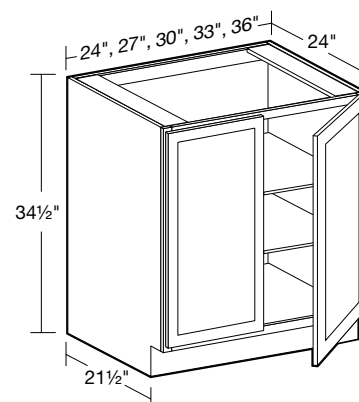
**B15-CWO**

- **FIELD INSTALLED**
- Two chrome wire tiers operate independently
- Adjustable dividers on bottom tier accommodate different size pots and pans
- Floor, side, and rear mounted
- 100lb rated full-extension soft close ball-bearing slides

## 24" Deep Double Full Height Door



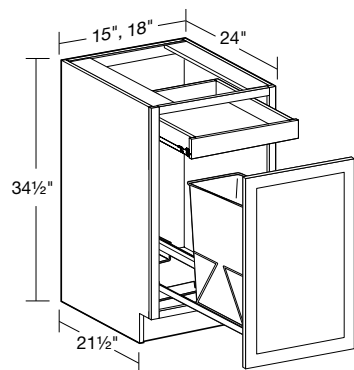
**CUSTOM  
DEPTH**



**B24FH  
B27FH  
B30FH  
B33FH  
B36FH**

- Two full-depth adjustable shelves
- **CUSTOM DEPTH: 9" to 23" deep**

## 24" Deep Single 35 qt. Waste Basket Pullout

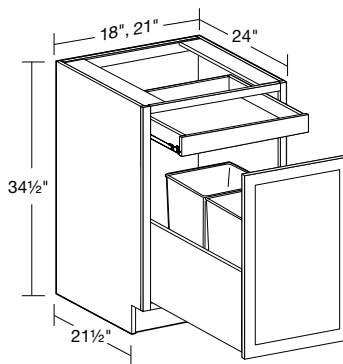


**B1WB15**  
**B1WB18**

- Basket slides on heavy duty, full extension runners
- 35 quart white plastic basket sits in a white epoxy coated wire frame
- Basket is removable

- Basket dimensions: 10"W x 14"D x 18"H
- Top mount roll-out tray for trash bag storage
- **SOFT CLOSE NOT AVAILABLE**

## 24" Deep DELUXE Double 35 qt. Waste Basket Pullout

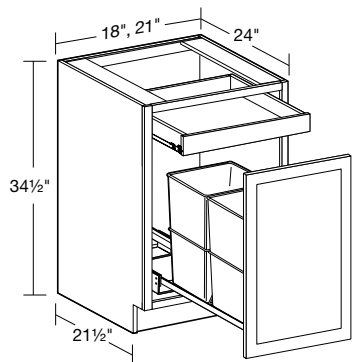


**B2DWB18**  
**B2DWB21**

- Baskets slide on heavy duty, full extension, Soft Close runners
- Two 35 quart white plastic baskets sit in a dovetailed plywood drawer box
- Baskets are removable

- Basket dimensions: 14"W x 10"D x 18"H
- Top mount roll-out tray for trash bag storage
- **SOFT CLOSE INCLUDED!**

## 24" Deep Double 27 qt. Waste Basket Pullout

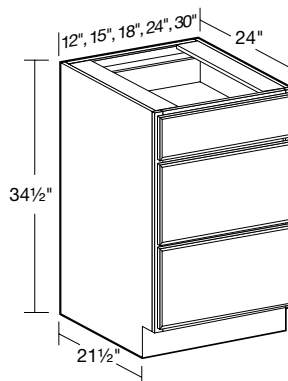


**B2WB18**  
**B2WB21**

- Baskets slide on heavy duty, full extension runners
- Two 27 quart white plastic baskets sit in a white epoxy coated wire frame
- Baskets are removable

- Basket dimensions: 11"W x 11"D x 18"H
- Top mount roll-out tray for trash bag storage
- **SOFT CLOSE NOT AVAILABLE**

## 24" Deep Base - 3 Drawers



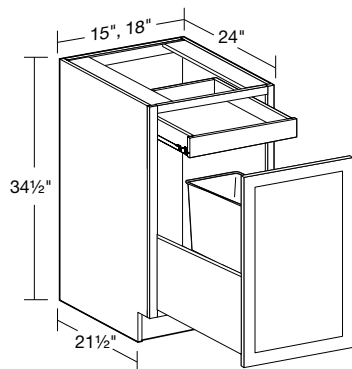
**CUSTOM DEPTH**

**BD12\***  
**BD15**  
**BD18**  
**BD24**  
**BD30**

- One standard top drawer
- Two deep drawers
- **CUSTOM DEPTH: 15" to 23" deep**

\* Maximum drawer handle width for lower drawers is 4" wide for raised panel styles, 5 1/2" wide for recessed panel styles.

## 24" Deep DELUXE Single 35 qt. Waste Basket Pullout

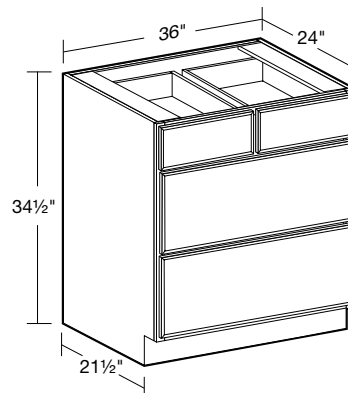


**B1DWB15**  
**B1DWB18**

- Basket slides on heavy duty, full extension, Soft Close runners
- 35 quart white plastic basket sits in a dovetailed plywood drawer box
- Basket is removable

- Basket dimensions: 14"W x 10"D x 18"H
- Top mount roll-out tray for trash bag storage
- **SOFT CLOSE INCLUDED!**

## 24" Deep Base - 4 Drawers

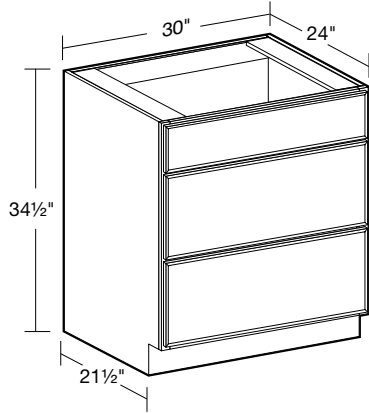


**CUSTOM DEPTH**

**BD36**

- Two standard top drawers
- Two deep drawers
- **CUSTOM DEPTH: 15" to 23" deep**

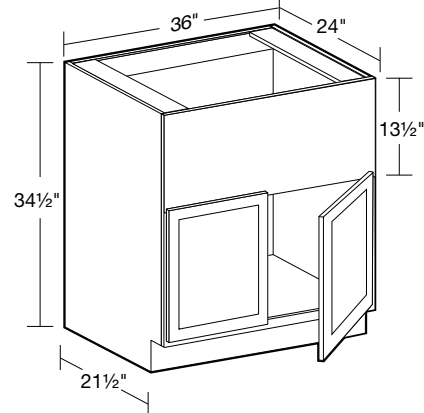
## 24" Deep Base Cooktop - Single False Front



**BCT30**

- False top drawer front
- Two deep drawers
- Accepts drop-in cooktop

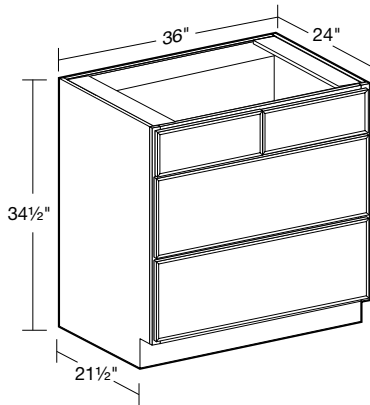
## 24" Deep Farm Sink Base



**CUSTOM DEPTH**  
**FSB36**

- Front rail is field modified to fit sink
- No shelf
- **CUSTOM DEPTH: 9" to 23" deep**

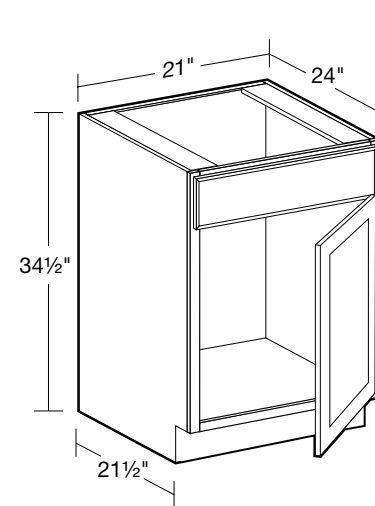
## 24" Deep Base Cooktop - Double False Front



**BCT36**

- False top drawer fronts
- Two deep drawers
- Accepts drop-in cooktop

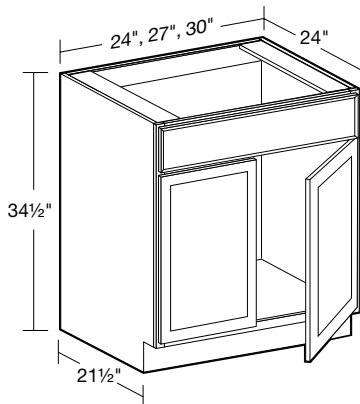
## 21" Deep Single Door Sink Base



**SPECIFY RIGHT or LEFT HINGED**  
**SB21**

- Maximum sink cutout 19" wide
- No shelf
- False drawer front

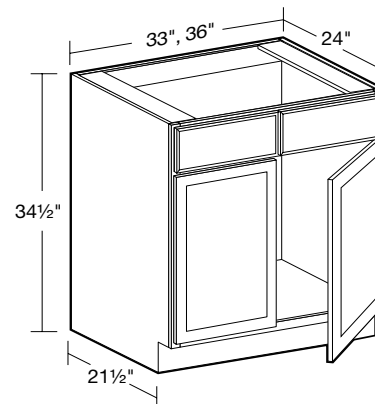
## 24" Deep Sink Base



**CUSTOM DEPTH**  
**SB24**  
**SB27**  
**SB30**

- No shelf, false drawer front
- May also be used as drop-in cooktop base
- **CUSTOM DEPTH: 9" to 23" deep**

## 24" Deep Sink Base

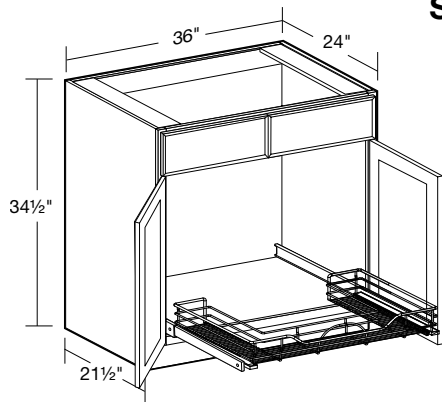


**CUSTOM DEPTH**  
**SB33**  
**SB36**

- No shelf, two false drawer fronts
- May also be used as drop-in cooktop base
- **CUSTOM DEPTH: 9" to 23" deep**

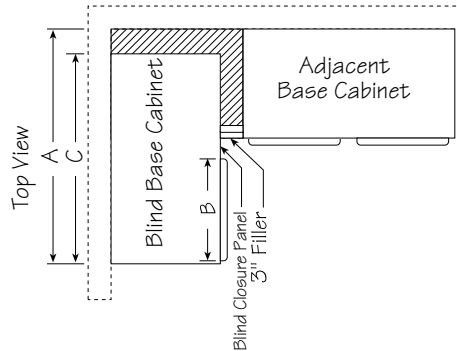
## 24" Deep Sink Base with 1 Chrome Roll-out Tray

**SB36-1USWP**



- No Shelf, two false drawer fronts
- One full width U-shaped chrome wire roll-out tray (not soft close)
- Designed to fit around sink plumbing

## Blind Base Corner Installation

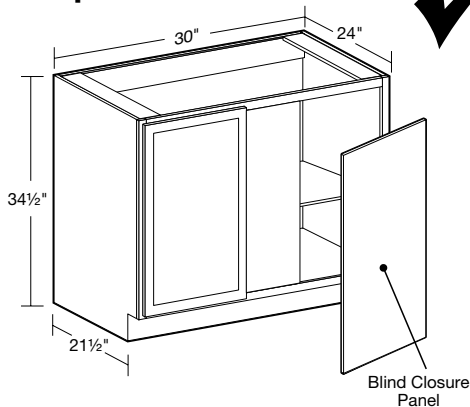


BLIND BASE INSTALLATION GUIDE				
Cabinet	Wall Space "A"		Frame Opening	Cabinet
	Min	Max	Width "B"	Width "C"
BBCU39	39"	42"	8 7/8"	30"
BBCU42	42"	45"	12"	36"

## 24" Deep Blind Base Corner



**CUSTOM DEPTH**



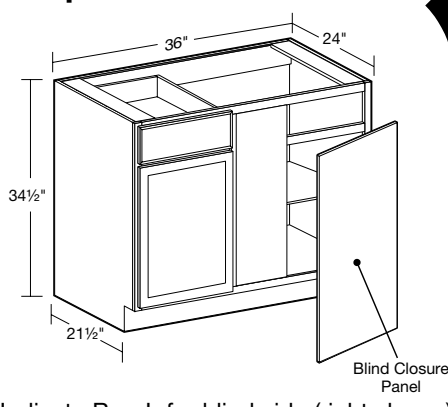
**SPECIFY RIGHT or LEFT BLIND**  
**BBCU39**

- Indicate R or L for blind side (right shown)
- Cabinet can be pulled for exact fit (see installation chart)
- 3" filler & 3/16" blind closure panel included
- Door width is 11-3/4"
- **CUSTOM DEPTH: 9" to 23" deep**

## 24" Deep Blind Base Corner



**CUSTOM DEPTH**

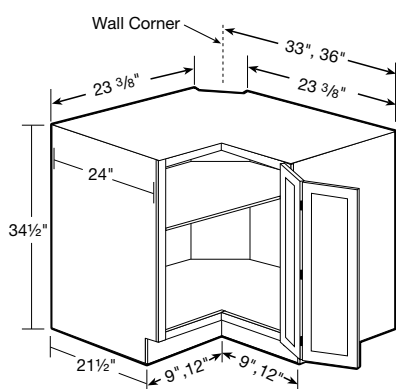


**SPECIFY RIGHT or LEFT BLIND**  
**BBCU42**

- Indicate R or L for blind side (right shown)
- Cabinet can be pulled for exact fit (see installation chart)
- 3" filler & 3/16" blind closure panel included
- Door width is 14-3/4"
- **CUSTOM DEPTH: 9" to 23" deep (9" to 14" deep options have false front & no drawer)**

## 33" and 36" Easy Reach

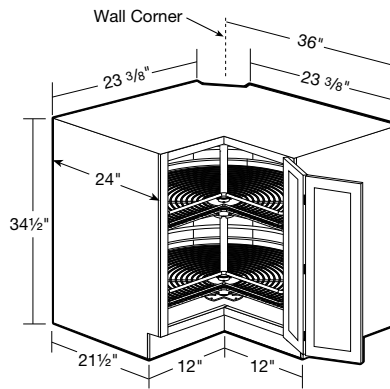
**SPECIFY RIGHT or LEFT HINGED**  
**EZR33**  
**EZR36**



- One full-depth straight adjustable shelf (reversible)
- Doors open 170 degrees for easy access
- Clip Corner is 1/4" veneered MDF
- **SOFT CLOSE DOOR (SCD) OPTION NOT AVAILABLE**

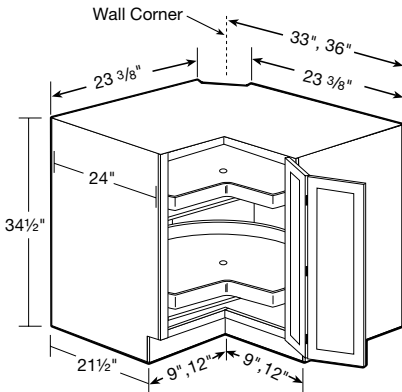
## 36" Easy Reach Chrome Susan

**SPECIFY RIGHT or LEFT HINGED**  
**EZR36-2WLS**



- **CHROME SUSAN FIELD INSTALLED**
- Doors open 170 degrees for easy access
- Clip Corner is 1/4" veneered MDF
- **SOFT CLOSE DOOR (SCD) OPTION NOT AVAILABLE**

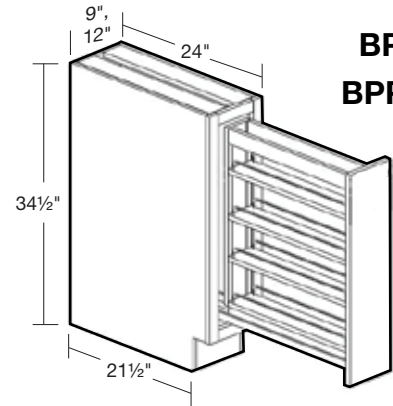
## 33" and 36" Easy Reach Super Suzan



**SPECIFY  
RIGHT or LEFT HINGED  
EZR33SS  
EZR36SS**

- Two 26" or 28" diameter, pie-cut independently revolving all wood shelves
- Doors open 170 degrees for easy access
- Clip Corner is 1/4" veneered MDF
- **SOFT CLOSE DOOR (SCD) OPTION NOT AVAILABLE**

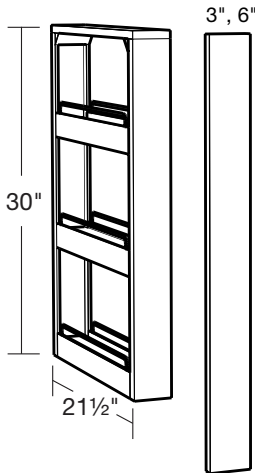
## 24" Deep Base Pantry Pullout



**BPPO9  
BPPO12**

- Available in 9" & 12" width cabinets
- Full extension ball bearing slides provide stable, smooth pullout function
- Adjustable shelves with chrome rails

## 24" Deep Filler Pantry Pullout

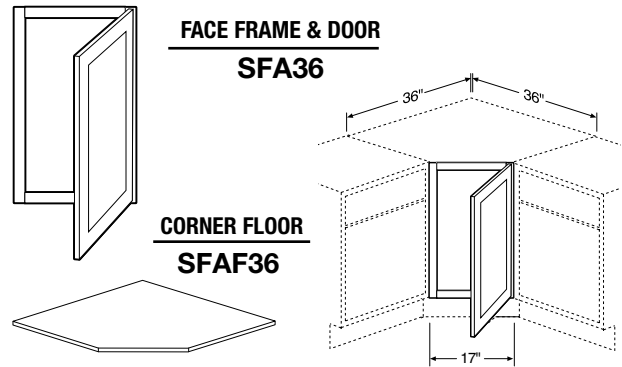


**BFPO3  
BFPO6**

- Available in 3" & 6" widths with matching Filler Strip
- Full extension ball bearing slides provide stable, smooth pullout function
- Adjustable shelves with chrome rails
- Pull-out unit must be installed between two cabinets or cabinet and wall\*
- Filler strip attached to pull-out unit after installation

\*See page 29 for tip when installing between a cabinet and a wall

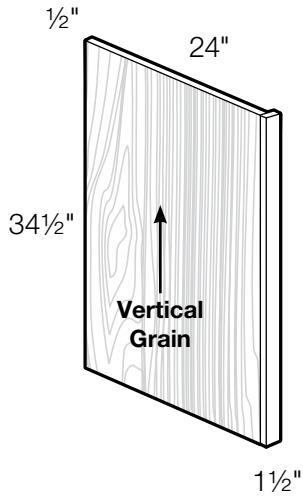
## Sink Front Angle



- Angle sink front must be installed between two cabinets
- Frame/door can be installed with hinges on right or left
- Floor support and toe base must be field constructed
- Maximum sink width for this application 25 3/4"

## 24" Deep End Panel with Filler

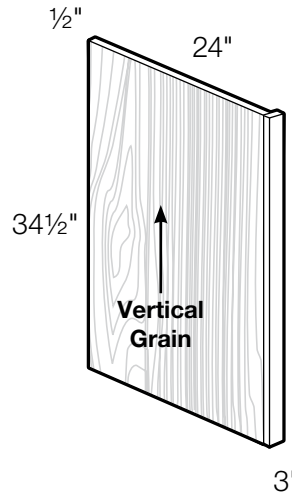
**BP1.5**



- 1 1/2" wide solid wood filler included
- Panel and filler supplied loose for field assembly
- Reversible, may be installed left or right
- 1/2" thick plywood panel finished with vinyl laminate color matched to cabinetry face frame

## 24" Deep End Panel with Filler

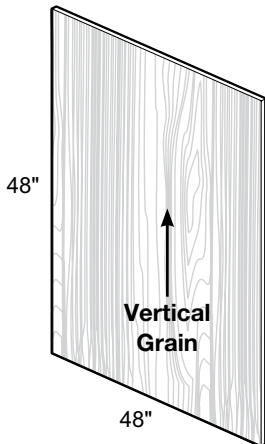
**BP3**



- 3" wide solid wood filler included
- Panel and filler supplied loose for field assembly
- Reversible, may be installed left or right
- 1/2" thick plywood panel finished with vinyl laminate color matched to cabinetry face frame

## Island Skin

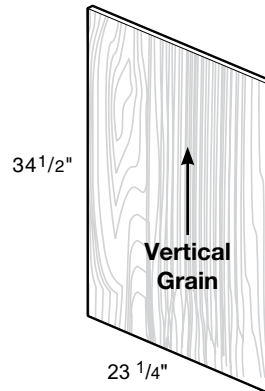
**ISK4848**



- 1/8" thick plywood finished with vinyl laminate color matched to cabinetry face frame
- Field modified and installed

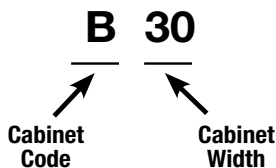
## Base Skin

**BSK345**



- 1/8" thick plywood finished with vinyl laminate color matched to cabinetry face frame
- Field modified and installed
- Can be field modified for shallower depth cabinets
- Finish matches cabinetry face frame

## BASE CABINET CODING

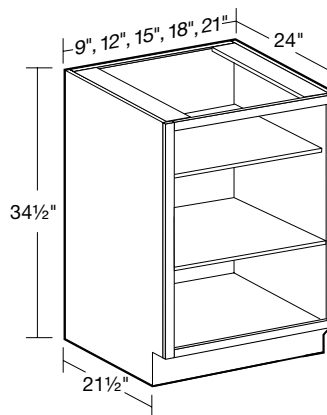


- Standard Base Cabinets are 24" deep and 34½" high
- Matching interiors are standard in base cabinets with no doors
- Standard cabinet exterior is color matched to face frame
- Base cabinets are shipped with an unfinished toekick. Finished toekicks in matching wood or painted MDF must be ordered separately and field installed.

### 24" Deep Single Full Height No Door



**CUSTOM DEPTH**



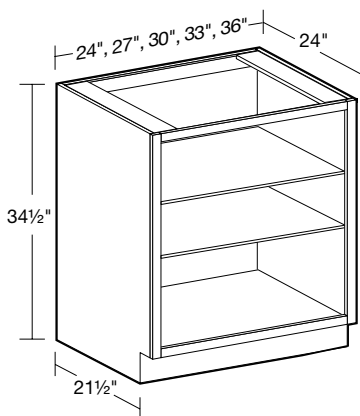
- B09ND**
- B12ND**
- B15ND**
- B18ND**
- B21ND**

- Two full-depth adjustable shelves
- **CUSTOM DEPTH: 9" to 23" deep**

### 24" Deep Double Full Height No Door



**CUSTOM DEPTH**



- B24ND**
- B27ND**
- B30ND**
- B33ND**
- B36ND**

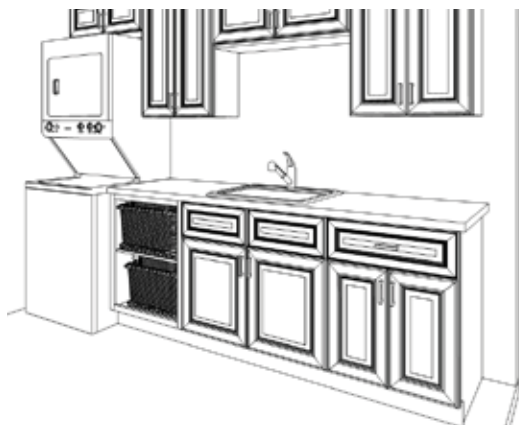
- Two full-depth adjustable shelves
- **CUSTOM DEPTH: 9" to 23" deep**

### Using ND Base Cabinets



Customize the depth of B24ND down to 12" you can use it on the end of a cabinet run for an interesting transition in the kitchen. This option is shown with a MWEP30 on the exposed side of the ND cabinet to mimic a finished door.

### Using ND Base Cabinets



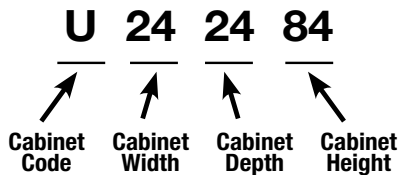
Use only one adjustable shelf in a B24ND or wider in your laundry room to allow space to store laundry baskets.

### Base Filler Pull outs



If placing next to a wall - Must use BEP1.5 or BEP3 between wall and pull out.

## TALL CABINET CODING



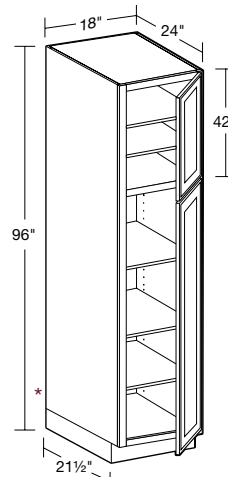
- Standard Tall Cabinets are 24" deep
- Add door thickness for total cabinet depth
- Products are available in all door styles unless stated otherwise
- Standard cabinet exterior is color matched to face frame
- Soft close hinges

### 24" Deep Two Door Utility



**SPECIFY RIGHT or LEFT HINGED**

**U182496**



- One fixed shelf dividing upper and lower doors, five adjustable shelves
- Optional rollout trays or additional shelves available
- TSK96 is recommended if the cabinet will be on the end of a run
- \* Loose toe kick box for ease of installation
- **CUSTOM DEPTH: 9" to 23" deep**

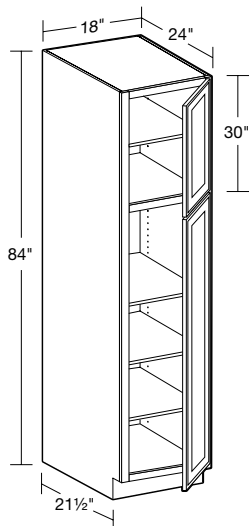
**NOTE:** Loose toe kick box will have a finished side, but will have a seam at bottom

### 24" Deep Two Door Utility



**SPECIFY RIGHT or LEFT HINGED**

**U182484**

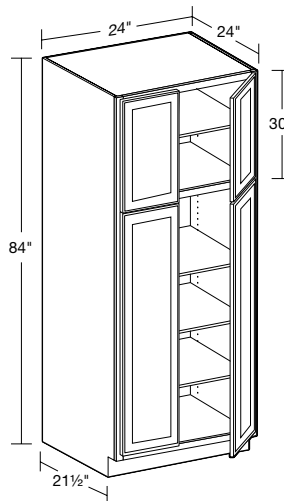


- One fixed shelf dividing upper and lower doors, four adjustable shelves
- Optional rollout trays or additional shelves available
- **CUSTOM DEPTH: 9" to 23" deep**

### 24" Deep Four Butt Door Utility



**U242484**



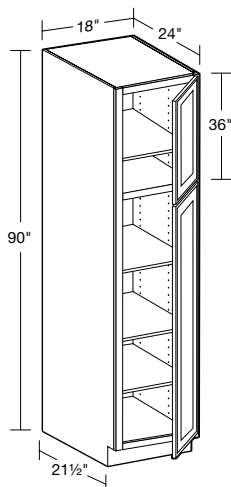
- One fixed shelf dividing upper and lower doors, four adjustable shelves
- Optional rollout trays or additional shelves available
- **CUSTOM DEPTH: 9" to 23" deep**

### 24" Deep Two Door Utility



**SPECIFY RIGHT or LEFT HINGED**

**U182490**



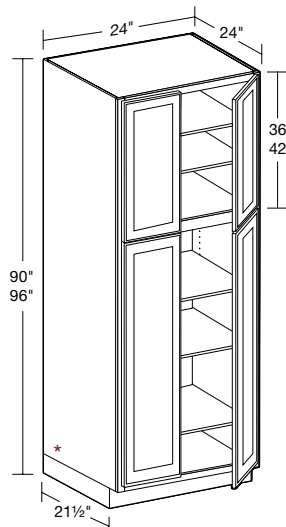
- One fixed shelf dividing upper and lower doors, four adjustable shelves
- Optional rollout trays or additional shelves available
- **CUSTOM DEPTH: 9" to 23" deep**

### 24" Deep Four Butt Door Utility



**U242490**

**U242496**



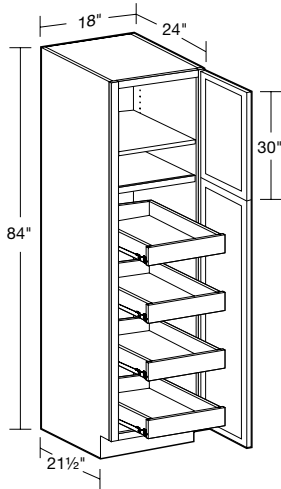
- One fixed shelf dividing upper and lower doors, five adjustable shelves
- Optional rollout trays or additional shelves available
- TSK96 is recommended if the cabinet will be on the end of a run
- \* On 96", loose toe kick box for ease of installation
- **CUSTOM DEPTH: 9" to 23" deep**

**NOTE:** Loose toe kick box will have a finished side, but will have a seam at bottom

## 24" Deep Two Door Utility with Four Rollout Trays

**SPECIFY  
RIGHT or LEFT HINGED**

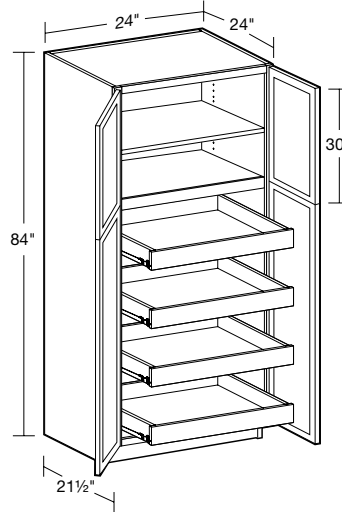
**U182484-4T**



- One fixed shelf dividing upper and lower doors
- Four repositionable, full width rollout trays
- One adjustable shelf

## 24" Deep Four Butt Door Utility with Four Rollout Trays

**U242484-4T**

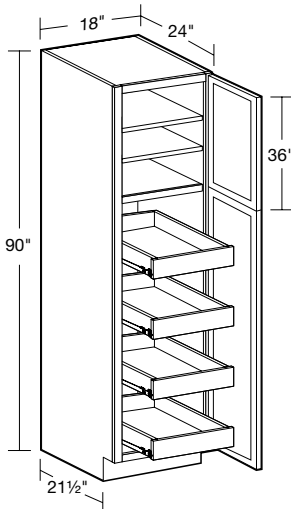


- One fixed shelf dividing upper and lower doors
- Four repositionable, full width rollout trays
- One adjustable shelf

## 24" Deep Two Door Utility with Four Rollout Trays

**SPECIFY  
RIGHT or LEFT HINGED**

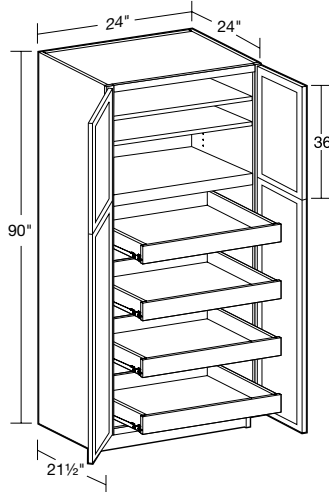
**U182490-4T**



- One fixed shelf dividing upper and lower doors
- Four repositionable, full width rollout trays
- Two adjustable shelves

## 24" Deep Four Butt Door Utility with Four Rollout Trays

**U242490-4T**

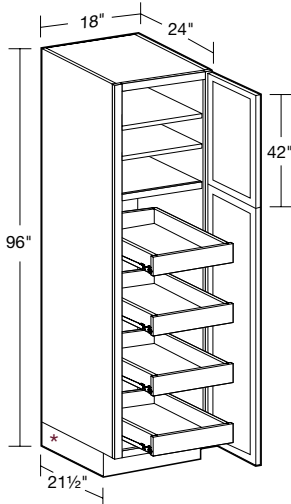


- One fixed shelf dividing upper and lower doors
- Four repositionable, full width rollout trays
- Two adjustable shelves

## 24" Deep Two Door Utility with Four Rollout Trays

**SPECIFY  
RIGHT or LEFT HINGED**

**U182496-4T**

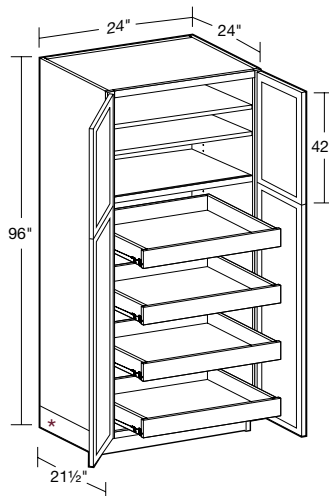


- One fixed shelf dividing upper and lower doors
- Four repositionable, full width rollout trays
- Two adjustable shelves
- TSK96 is recommended if the cabinet will be on the end of a run
- \* Loose toe kick box for ease of installation

**NOTE:** Loose toe kick box will have a finished side, but will have a seam at bottom

## 24" Deep Four Butt Door Utility with Four Rollout Trays

**U242496-4T**



- One fixed shelf dividing upper and lower doors
- Four repositionable, full width rollout trays
- Two adjustable shelves
- TSK96 is recommended if the cabinet will be on the end of a run
- \* Loose toe kick box for ease of installation

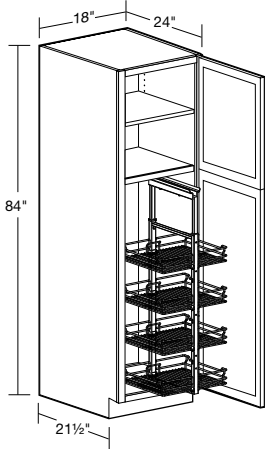
**NOTE:** Loose toe kick box will have a finished side, but will have a seam at bottom

# Tall Cabinets

## 24" Deep Two Door Utility with Four Pull-out Chrome Trays

**SPECIFY RIGHT or LEFT HINGED**

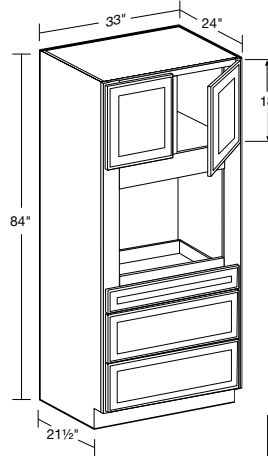
**U182484-PO4WS**



- **FIELD INSTALLED PULL-OUT UNIT**
- Pull-out unit includes 4 chrome baskets and optional door mounts
- Top and bottom glides are soft closing and 250 lb. weight rated
- One fixed shelf dividing upper and lower door
- One adjustable upper shelf

## 24" Deep Universal Oven

**OC332484U**



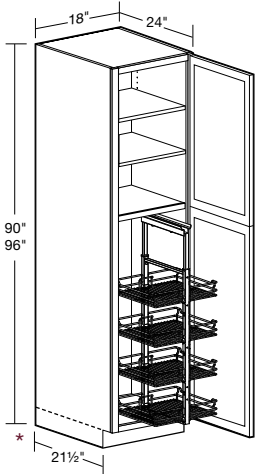
- Consult chart for oven cutout dimensions
- No adjustable shelf
- 3 field removable drawers
- 3" stiles in oven compartment
- For frame openings refer to page 60

CABINET	MIN. CUTOUT WIDTH	MAX CUTOUT WIDTH	MIN. CUTOUT HEIGHT	MAX CUTOUT HEIGHT
OC332484U	27"	31"	22"	60"

## 24" Deep Two Door Utility with Four Pull-out Chrome Trays

**SPECIFY RIGHT or LEFT HINGED**

**U182490-PO4WS  
U182496-PO4WS**

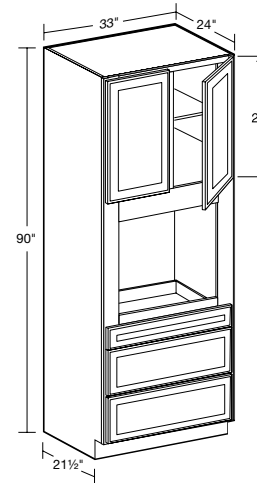


- **FIELD INSTALLED PULL-OUT UNIT**
- Pull-out unit includes 4 chrome baskets and optional door mounts
- Top and bottom glides are soft closing and 250 lb. weight rated
- One fixed shelf dividing upper and lower door
- Two adjustable upper shelves
- \* Loose toe kick box for ease of installation
- TSK96 is recommended if the cabinet will be on the end of a run

**NOTE:** Loose toe kick box will have a finished side, but will have a seam at bottom

## 24" Deep Universal Oven

**OC332490U**

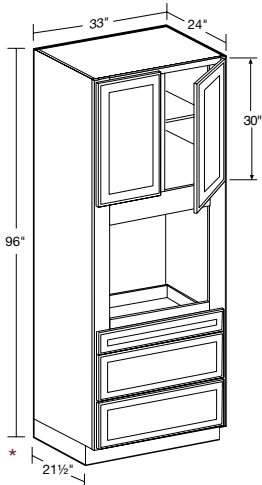


- Consult chart for oven cutout dimensions
- One adjustable shelf
- 3 field removable drawers
- 3" stiles in oven compartment
- For frame openings refer to page 60

CABINET	MIN. CUTOUT WIDTH	MAX CUTOUT WIDTH	MIN. CUTOUT HEIGHT	MAX CUTOUT HEIGHT
OC332490U	27"	31"	22"	60"

## 24" Deep Universal Oven

**OC332496U**



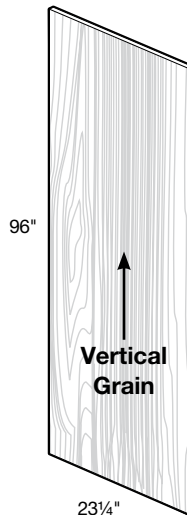
- Consult chart for oven cutout dimensions
- One adjustable shelf
- 3 field removable drawers
- 3" stiles in oven compartment
- \* Loose toe kick box for ease of installation
- TSK96 is recommended if the cabinet will be on the end of a run
- For frame openings refer to p.60

**NOTE:** Loose toe kick box will have a finished side, but will have a seam at bottom

CABINET	MIN. CUTOUT WIDTH	MAX CUTOUT WIDTH	MIN. CUTOUT HEIGHT	MAX CUTOUT HEIGHT
OC332496U	27"	31"	22"	60"

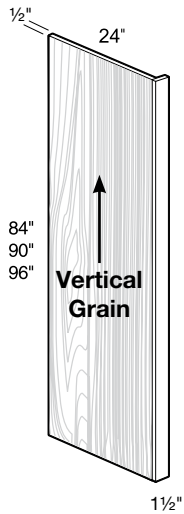
## Tall Skin

**TSK96**



- 1/8" thick plywood finished with vinyl laminate color matched to cabinetry face frame
- Field modified and installed
- Can be modified for shallower depth and shorter tall cabinets
- Finish matches cabinetry face frame

## 24" Deep Refrigerator Panel with Filler



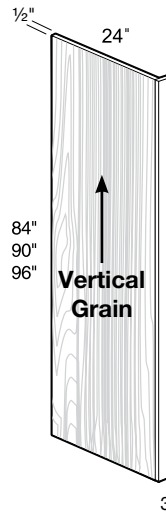
**RP1.584**

**RP1.590**

**RP1.596**

- 1 1/2" wide solid wood filler included
- Panel and filler supplied loose for field assembly
- Reversible, may be installed left or right
- 1/2" thick plywood panel finished with vinyl laminate color matched to cabinetry face frame
- Filler may be scribed up to 5/8"

## 24" Deep Refrigerator Panel with Filler



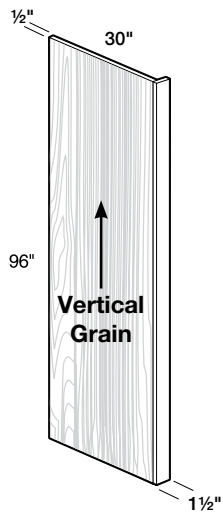
**RP384**

**RP390**

**RP396**

- 3" wide solid wood filler included
- Panel and filler supplied loose for field assembly
- Reversible, may be installed left or right
- 1/2" thick plywood panel finished with vinyl laminate color matched to cabinetry face frame
- Filler may be scribed up to 5/8"

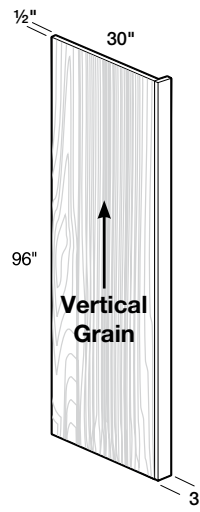
## 30" Deep Universal Refrigerator Panel with Filler



**RP1.53096**

- 1 1/2" wide solid wood filler included
- Panel and filler supplied loose for field assembly
- Reversible, may be installed left or right
- Trimmable in field for 84" and 90" applications
- 1/2" thick plywood panel finished with vinyl laminate color matched to cabinetry face frame
- Filler may be scribed up to 5/8"

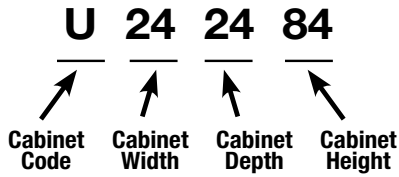
## 30" Deep Universal Refrigerator Panel with Filler



**RP33096**

- 3" wide solid wood filler included
- Panel and filler supplied loose for field assembly
- Reversible, may be installed left or right
- Trimmable in field for 84" and 90" applications
- 1/2" thick plywood panel finished with vinyl laminate color matched to cabinetry face frame
- Filler may be scribed up to 5/8"

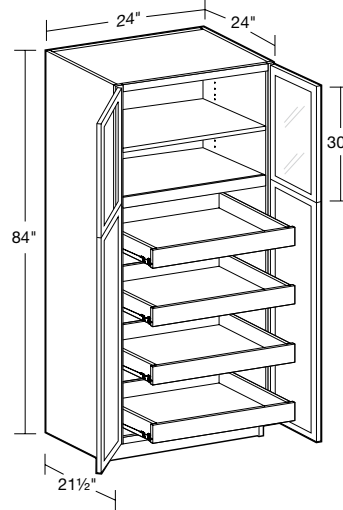
## TALL CABINET CODING



- Standard Tall Cabinets are 24" deep
- Add door thickness for total cabinet depth
- Not available in Waterford Vesper White (WVW) or Wembley Veiled Gray (WVG)
- Clear glass ships separate from cabinets
- Standard cabinet exterior is color matched to face frame
- Matching interiors are standard in PFG cabinets
- Soft close hinges

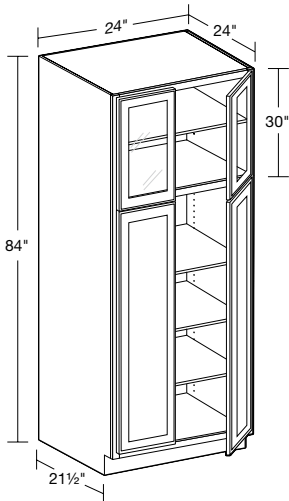
### 24" Deep Four Butt Door Utility with Four Rollout Trays

**U242484PFG-4T**



- Upper doors prepped for glass, matching cabinet interior throughout
- One fixed shelf dividing upper and lower doors
- Four repositionable, full width rollout trays in solid finger jointed hardwood; not a part of the matching cabinet interior
- One adjustable shelf

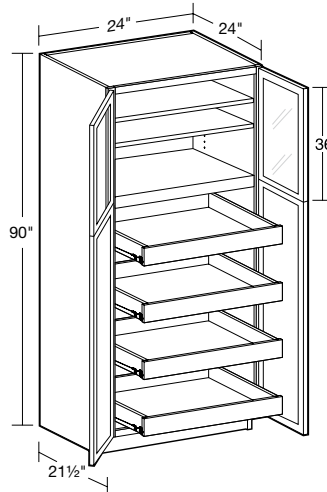
### 24" Deep Four Butt Door Utility



- Upper doors prepped for glass, matching cabinet interior throughout
- One fixed shelf dividing upper and lower doors, four adjustable shelves
- Optional rollout trays or additional shelves available
- **CUSTOM DEPTH: 9" to 23" deep**

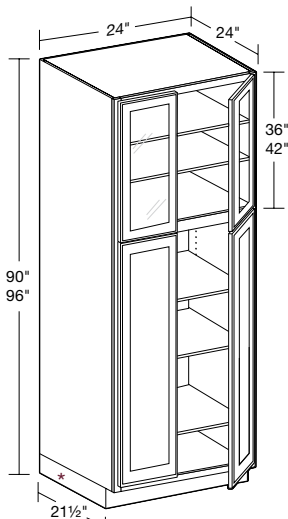
### 24" Deep Four Butt Door Utility with Four Rollout Trays

**U242490PFG-4T**



- Upper doors prepped for glass, matching cabinet interior throughout
- One fixed shelf dividing upper and lower doors
- Four repositionable, full width rollout trays in solid solid finger jointed hardwood; not a part of the matching cabinet interior
- Two adjustable shelves

### 24" Deep Four Butt Door Utility

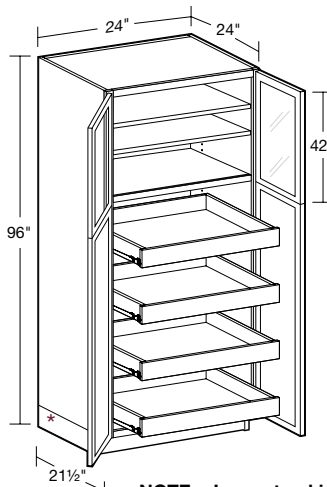


- Upper doors prepped for glass, matching cabinet interior throughout
- One fixed shelf dividing upper and lower doors, five adjustable shelves
- Optional rollout trays or additional shelves available
- \* On 96", loose toe kick box for ease of installation
- For 96" unit TSK96 is recommended if the cabinet will be on the end of a run
- **CUSTOM DEPTH: 9" to 23"**

**NOTE:** Loose toe kick box will have a finished side, but will have a seam at bottom

### 24" Deep Four Butt Door Utility with Four Rollout Trays

**U242496PFG-4T**

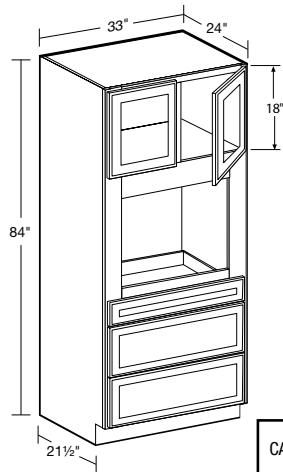


- Upper doors prepped for glass, matching cabinet interior throughout
- One fixed shelf dividing upper and lower doors
- Four repositionable, full width rollout trays in solid finger jointed hardwood; not a part of the matching cabinet interior
- Two adjustable shelves
- \* Loose toe kick box for ease of installation
- TSK96 is recommended if the cabinet will be on the end of a run

**NOTE:** Loose toe kick box will have a finished side, but will have a seam at bottom

## 24" Deep Universal Oven

### OC332484PFGU



- Upper doors prepped for glass, matching cabinet interior throughout
- Consult chart for oven cutout dimensions
- No adjustable shelf
- 3 field removable drawers
- 3" stiles in oven compartment
- For frame openings refer to page 60

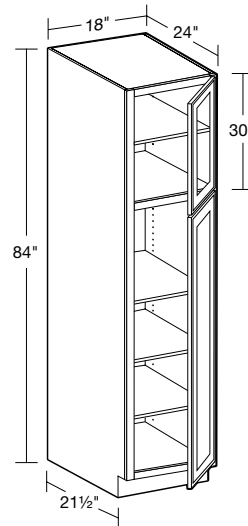
CABINET	MIN. CUTOUT WIDTH	MAX CUTOUT WIDTH	MIN. CUTOUT HEIGHT	MAX CUTOUT HEIGHT
OC332484U	27"	31"	22"	60"

## 24" Deep Two Door Utility



**SPECIFY RIGHT or LEFT HINGED**

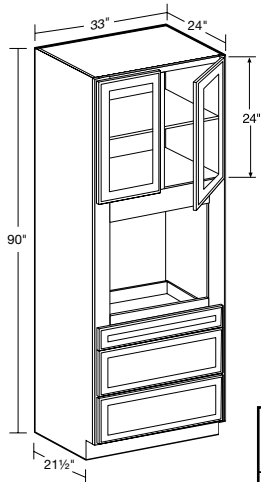
### U182484PFG



- Upper doors prepped for glass, matching cabinet interior throughout
- One fixed shelf dividing upper and lower doors, four adjustable shelves
- Optional rollout trays or additional shelves available
- **CUSTOM DEPTH: 9" to 23" deep**

## 24" Deep Universal Oven

### OC332490PFGU



- Upper doors prepped for glass, matching cabinet interior throughout
- Consult chart for oven cutout dimensions
- One adjustable shelf
- 3 field removable drawers
- 3" stiles in oven compartment
- For frame openings refer to page 60

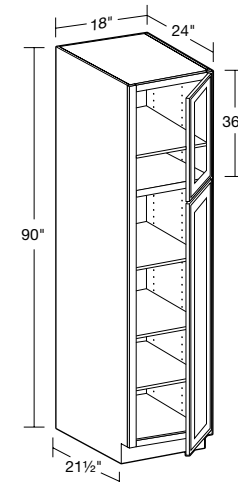
CABINET	MIN. CUTOUT WIDTH	MAX CUTOUT WIDTH	MIN. CUTOUT HEIGHT	MAX CUTOUT HEIGHT
OC332490U	27"	31"	22"	60"

## 24" Deep Two Door Utility



**SPECIFY RIGHT or LEFT HINGED**

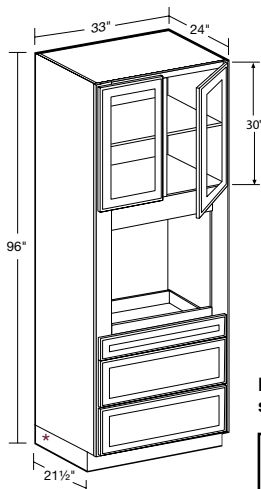
### U182490PFG



- Upper doors prepped for glass, matching cabinet interior throughout
- One fixed shelf dividing upper and lower doors, four adjustable shelves
- Optional rollout trays or additional shelves available
- **CUSTOM DEPTH: 9" to 23" deep**

## 24" Deep Universal Oven

### OC332496PFGU



- Upper doors prepped for glass, matching cabinet interior throughout
- Consult chart for oven cutout dimensions
- One adjustable shelf
- 3 field removable drawers
- 3" stiles in oven compartment
- \* Loose toe kick box for ease of installation
- TSK96 is recommended if the cabinet will be on the end of a run
- For frame openings refer to p.60

**NOTE:** Loose toe kick box will have a finished side, but will have a seam at bottom

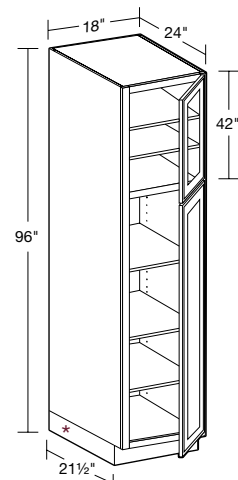
CABINET	MIN. CUTOUT WIDTH	MAX CUTOUT WIDTH	MIN. CUTOUT HEIGHT	MAX CUTOUT HEIGHT
OC332496U	27"	31"	22"	60"

## 24" Deep Two Door Utility



**SPECIFY RIGHT or LEFT HINGED**

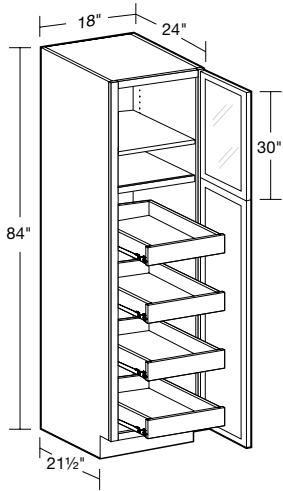
### U182496PFG



- Upper doors prepped for glass, matching cabinet interior throughout
- One fixed shelf dividing upper and lower doors, five adjustable shelves
- Optional rollout trays or additional shelves available
- TSK96 is recommended if the cabinet will be on the end of a run
- \* Loose toe kick box for ease of installation
- Factory finish ends not available
- **CUSTOM DEPTH: 9" to 23" deep**

**NOTE:** Loose toe kick box will have a finished side, but will have a seam at bottom

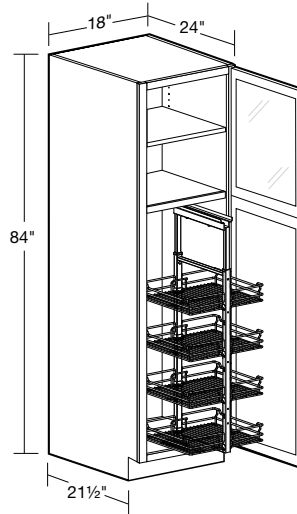
## 24" Deep Two Door Utility with Four Rollout Trays



**SPECIFY  
RIGHT or LEFT HINGED**  
**U182484PFG-4T**

- Upper doors prepped for glass, matching cabinet interior throughout
- One fixed shelf dividing upper and lower doors
- Four repositionable, full width rollout trays in solid finger jointed hardwood; not a part of the matching cabinet interior
- One adjustable shelf

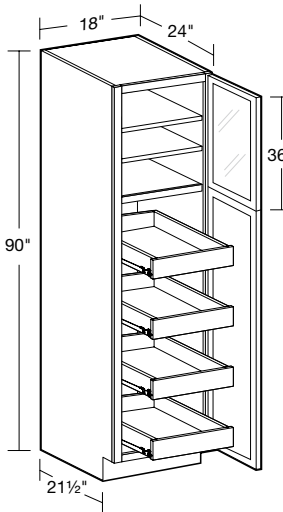
## 24" Deep Two Door Utility with Four Pull-out Chrome Trays



**SPECIFY  
RIGHT or LEFT HINGED**  
**U182484PFG-PO4WS**

- Upper doors prepped for glass, matching cabinet interior throughout
- **FIELD INSTALLED PULL-OUT UNIT**
- Pull-out unit includes 4 chrome baskets and optional door mounts
- Top and bottom glides are soft closing and 250 lb. weight rated
- One fixed shelf dividing upper and lower door
- One adjustable upper shelf

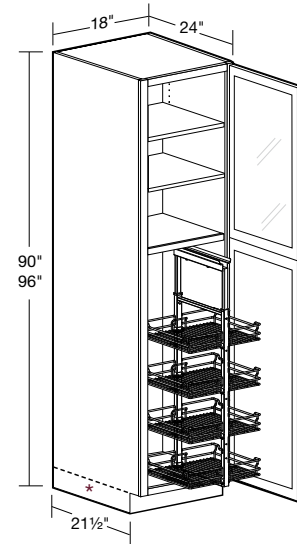
## 24" Deep Two Door Utility with Four Rollout Trays



**SPECIFY  
RIGHT or LEFT HINGED**  
**U182490PFG-4T**

- Upper doors prepped for glass, matching cabinet interior throughout
- One fixed shelf dividing upper and lower doors
- Four repositionable, full width rollout trays in solid finger jointed hardwood; not a part of the matching cabinet interior
- Two adjustable shelves

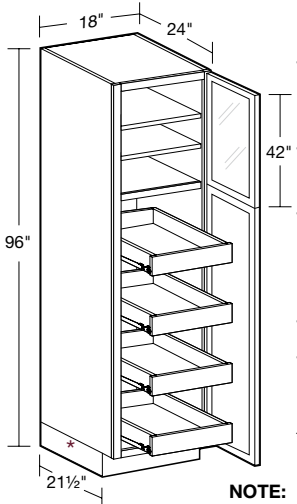
## 24" Deep Two Door Utility with Four Pull-out Chrome Trays



**SPECIFY  
RIGHT or LEFT HINGED**  
**U182490PFG-PO4WS**  
**U182496PFG-PO4WS**

- Upper doors prepped for glass, matching cabinet interior throughout
- **FIELD INSTALLED PULL-OUT UNIT**
- Pull-out unit includes 4 chrome baskets and optional door mounts
- Top and bottom glides are soft closing and 250 lb. weight rated
- One fixed shelf dividing upper and lower door

## 24" Deep Two Door Utility with Four Rollout Trays



**SPECIFY  
RIGHT or LEFT HINGED**  
**U182496PFG-4T**

- Upper doors prepped for glass, matching cabinet interior throughout
- One fixed shelf dividing upper and lower doors
- Four repositionable, full width rollout trays in solid finger jointed hardwood; not a part of the matching cabinet interior
- Two adjustable shelves
- TSK96 is recommended if the cabinet will be on the end of a run
- \* Loose toe kick box for ease of installation

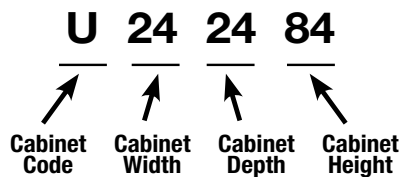
**NOTE:** Loose toe kick box will have a finished side, but will have a seam at bottom

- Two adjustable upper shelves
- TSK96 is recommended if the cabinet will be on the end of a run

\* Loose toe kick box for ease of installation

**NOTE:** Loose toe kick box will have a finished side, but will have a seam at bottom

## TALL CABINET CODING

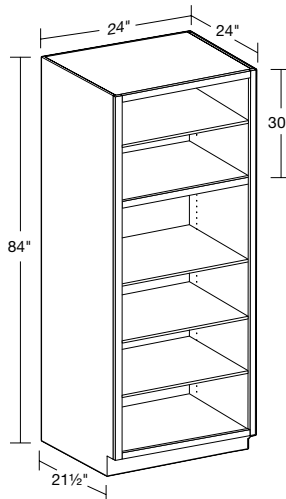


- Standard Tall Cabinets are 24" deep
- Standard cabinet exterior is color matched to face frame
- Matching interiors are standard in tall cabinets with no doors

### 24" Deep No Door Utility



**U242484ND**

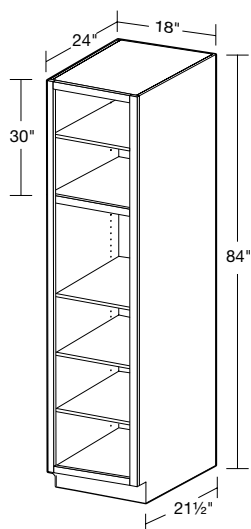


- One fixed shelf dividing upper and lower section, four adjustable shelves
- **CUSTOM DEPTH: 9" to 23" deep**

### 24" Deep No Door Utility



**U182484ND**

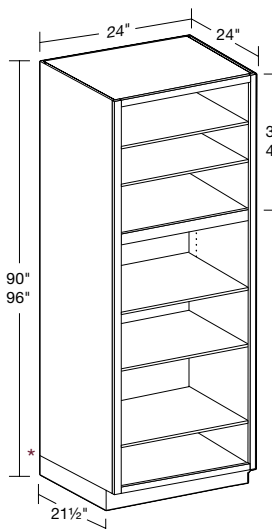


- One fixed shelf dividing upper and lower section, four adjustable shelves
- **CUSTOM DEPTH: 9" to 23" deep**

### 24" Deep No Door Utility



**U242490ND  
U242496ND**



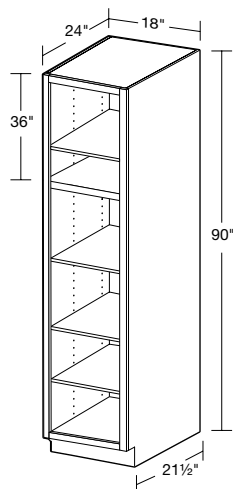
- One fixed shelf dividing upper and lower section, five adjustable shelves
- \* On 96", loose toe kick box for ease of installation
- For 96" unit TSK96 is recommended if the cabinet will be on the end of a run
- **CUSTOM DEPTH: 9" to 23" deep**

**NOTE:** Loose toe kick box will have a finished side, but will have a seam at bottom

### 24" Deep No Door Utility



**U182490ND**

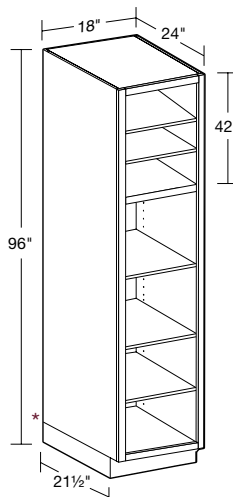


- One fixed shelf dividing upper and lower section, four adjustable shelves
- **CUSTOM DEPTH: 9" to 23" deep**

### 24" Deep No Door Utility



**U182496ND**



- One fixed shelf dividing upper and lower section, five adjustable shelves
- TSK96 is recommended if the cabinet will be on the end of a run
- \* Loose toe kick box for ease of installation
- **CUSTOM DEPTH: 9" to 23" deep**

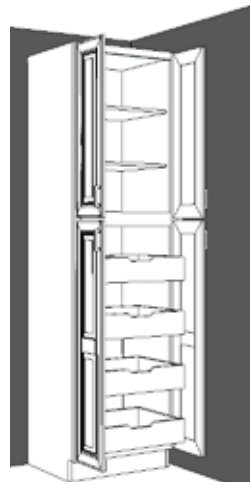
**NOTE:** Loose toe kick box will have a finished side, but will have a seam at bottom

## Decorative Ends for Tall Cabinets



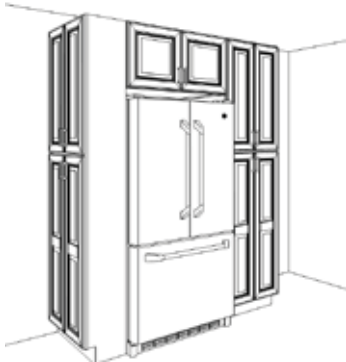
For decorative ends on a tall 24" deep cabinet use a CFOU and a tall skin.

## Clearance for Roll Out Trays



Make sure to leave enough clearance for door to open at least 90 degrees when placing next to wall or refrigerator cabinet.

## Customizing the Depth of a Tall Cabinet



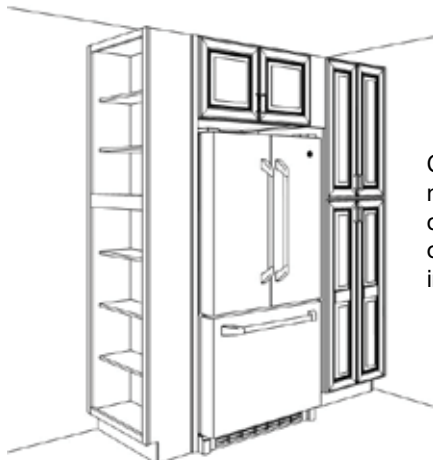
Customize the depth of a 24" wide utility cabinet (U242484, U242490, or U242496) down to 12" and use it facing out next to a refrigerator or another utility cabinet for shallow food storage, storing brooms/mops, or create a hidden message center.

## Customizing the Depth of a Tall Cabinet



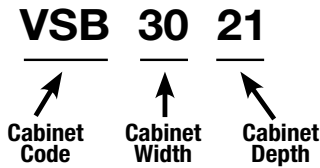
A narrow alcove in your kitchen or a pantry like storage area can be transformed into an entire wall of open and closed storage by using a combination of ND and Standard Utility cabinets with a reduced depth.

## Customizing the Depth of a Tall Cabinet



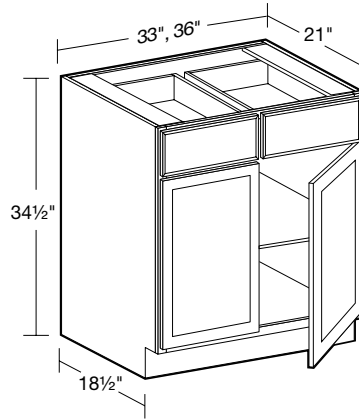
Customize the depth of a 24" wide Utility cabinet with no doors (U242484ND, U242490ND, or U242496ND) down to 12" and use it facing out next to a refrigerator or another utility cabinet for open storage and an interesting transition in the kitchen.

## VANITY CABINET CODING



- Standard Vanity Base Cabinets are 21" deep and 34½" high
- Cabinet depth does not include door thickness
- **Custom Depths are available where indicated. Use Standard Base Cabinet coding to order as specified.**
- Products are available in all door styles unless stated otherwise
- Standard cabinet exterior is color matched to face frame

### 21" Deep Double Door Vanity Base



**STANDARD  
21" DEPTHS**  
VB3321  
VB3621

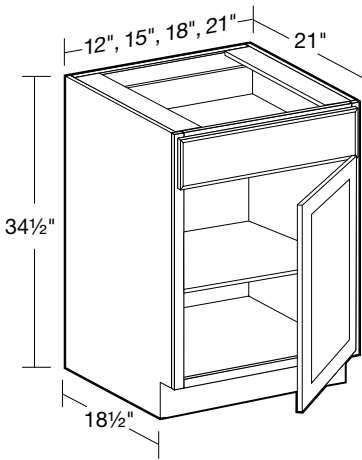


#### FOR CUSTOM DEPTHS

- One full depth adjustable shelf
- Two standard drawers

- Order **B33** or **B36**
- Select 9" to 23" depth
- 9" to 14" deep have false fronts & no drawer

### 21" Deep Single Door Vanity Base



**SPECIFY  
RIGHT or LEFT HINGED**  
**STANDARD  
21" DEPTHS**

VB1821 VB1221  
VB2121 VB1521

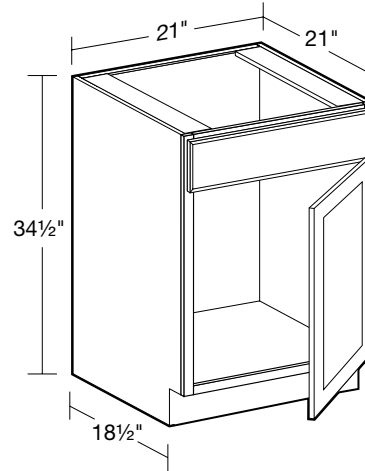


#### FOR CUSTOM DEPTHS

- One full depth adjustable shelf
- One standard drawer

- Order **B12**, **B15**, **B18** or **B21**
- Select 9" to 23" depth
- 9" to 14" deep have false fronts & no drawer

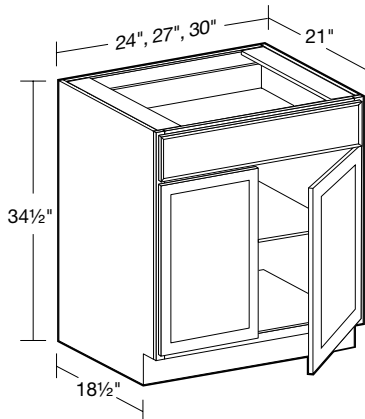
### 21" Deep Single Door Vanity Sink Base



**SPECIFY  
RIGHT or LEFT HINGED**  
VSB2121

- Maximum sink cutout 19" wide
- No shelf
- False drawer front

### 21" Deep Double Door Vanity Base



**STANDARD  
21" DEPTHS**  
VB2421  
VB2721  
VB3021

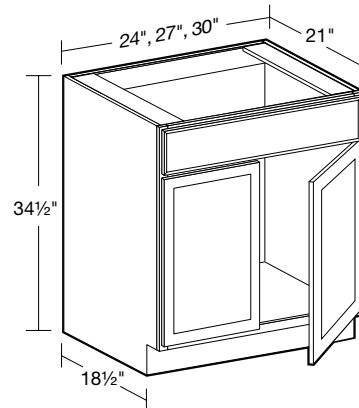


#### FOR CUSTOM DEPTHS

- One full depth adjustable shelf
- One standard drawer

- Order **B24**, **B27** or **B30**
- Select 9" to 23" depth
- 9" to 14" deep have false fronts & no drawer

### 21" Deep Double Door Vanity Sink Base



**STANDARD  
21" DEPTHS**  
VSB2421  
VSB2721  
VSB3021

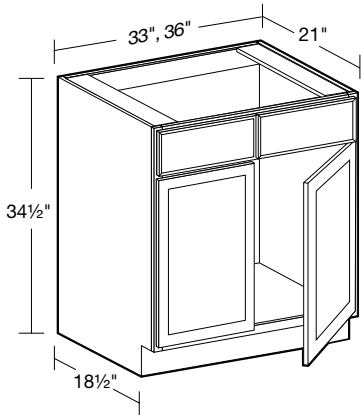


#### FOR CUSTOM DEPTHS

- No shelf
- False drawer front

- Order **SB24**, **SB27** or **SB30**
- Select 9" to 23" depth

## 21" Deep Double Door Vanity Sink Base



- No shelf, two false fronts

**STANDARD  
21" DEPTHS**

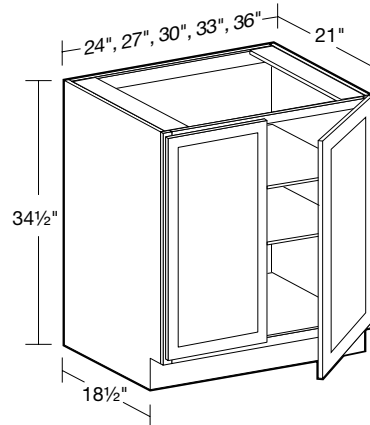
**VSB3321  
VSB3621**

**CUSTOM  
DEPTH**

**FOR CUSTOM DEPTHS**

- Order **SB33** or **SB36**
- Select 9" to 23" depth

## 21" Deep Double Full Height Door Vanity Base



- Two adjustable shelves

**STANDARD  
21" DEPTHS**

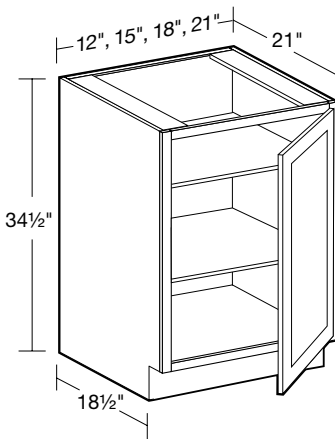
**VB2421FH  
VB2721FH  
VB3021FH  
VB3321FH  
VB3621FH**

**CUSTOM  
DEPTH**

**FOR CUSTOM DEPTHS**

- Order **B24FH**, **B27FH**, **B30FH** or **B36FH**
- Select 9" to 23" depth

## 21" Deep Single Full Height Door Vanity Base



- Two adjustable shelves

**SPECIFY  
RIGHT or LEFT HINGED**

**STANDARD  
21" DEPTHS**

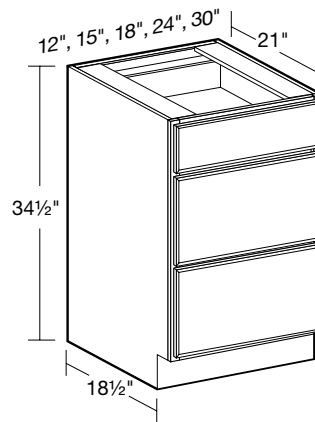
**VB1221FH  
VB1521FH  
VB1821FH  
VB2121FH**

**CUSTOM  
DEPTH**

**FOR CUSTOM DEPTHS**

- Order **B12FH**, **B15FH**, **B18FH** or **B21FH**
- Select 9" to 23" depth

## 21" Deep Vanity Base Drawer



- One standard drawer
- Two deep drawers

**STANDARD  
21" DEPTHS**

**VBD1221  
VBD1521  
VBD1821  
VBD2421  
VBD3021**

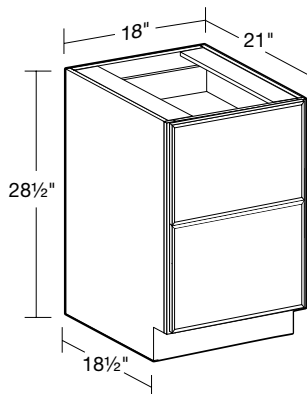
**CUSTOM  
DEPTH**

**FOR CUSTOM DEPTHS**

- Order **BD12**, **BD15**, **BD18**, **BD24** or **VBD3021**
- Select 15" to 23" depth

## 21" Deep Desk Drawer

**DDR18**



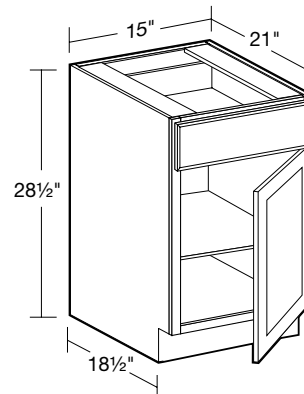
- Two standard drawers\*
- Comfortable height for dressing table or writing surface
- Not available in WVV or WVG door styles

\*Does not support hanging files.

## 21" Deep Desk Door

**SPECIFY  
RIGHT or LEFT HINGED**

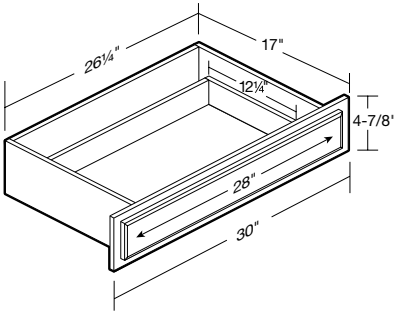
**DDO15**



- One adjustable shelf
- Comfortable height for dressing table or writing surface
- Not available in WVV or WVG door styles

## 21" Deep Desk Knee Drawer

DKD30

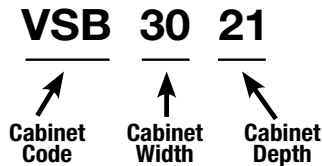


- One full width pencil/cosmetic drawer
- Knee drawer is designed for use between two desk base cabinets
- Comfortable height for dressing table or writing surface when installed at 28 1/2" height with 1 1/2" thick countertop
- Slab drawer front all door styles
- May be trimmed up to 1" on each side

**NOTE:** Full Extension Soft-Close Runner Not Available

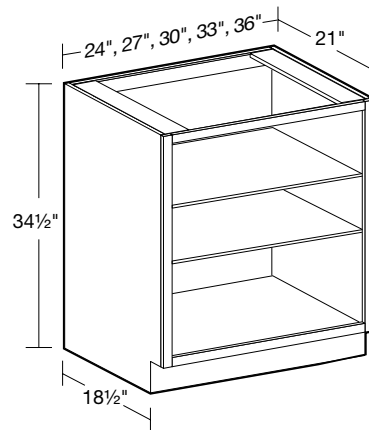
**NOTE:** Not available in WWV or WVG door styles

### VANITY CABINET CODING



- Standard Vanity Base Cabinets are 21" deep and 34 1/2" high
- Matching interiors are standard in vanity cabinets with no doors
- **Custom Depths are available where indicated. Use Standard Base Cabinet coding to order as specified.**
- Products are available in all door styles unless stated otherwise
- Standard cabinet exterior is color matched to face frame

### 21" Deep Double Full Height Door Vanity Base



**STANDARD 21" DEPTHS**  
**VB2421ND**  
**VB2721ND**  
**VB3021ND**  
**VB3321ND**  
**VB3621ND**

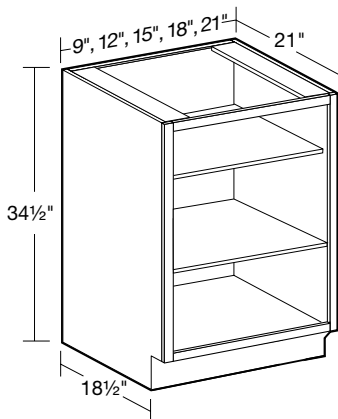


**FOR CUSTOM DEPTHS**

- Order **B24ND, B27ND, B30ND** or **B36ND**
- Select 9" to 23" depth

- Two adjustable shelves

### 21" Deep Single Full Height Door Vanity Base



**STANDARD 21" DEPTHS**  
**VB1221ND**  
**VB1521ND**  
**VB1821ND**  
**VB2121ND**



**FOR CUSTOM DEPTHS**

- Order **B12ND, B15ND, B18ND** or **B21ND**
- Select 9" to 23" depth

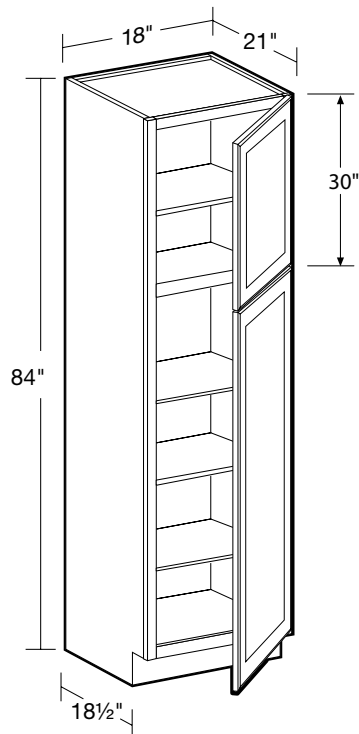
- Two adjustable shelves

### Using ND Vanity Cabinets



Use an ND cabinet as narrow as VB1521ND in your bathroom to store rolled towels or wash cloths

## 21" Deep Two Door Linen



**SPECIFY  
RIGHT or LEFT HINGED**  
**STANDARD  
21" DEPTH**  
**VLC182184**

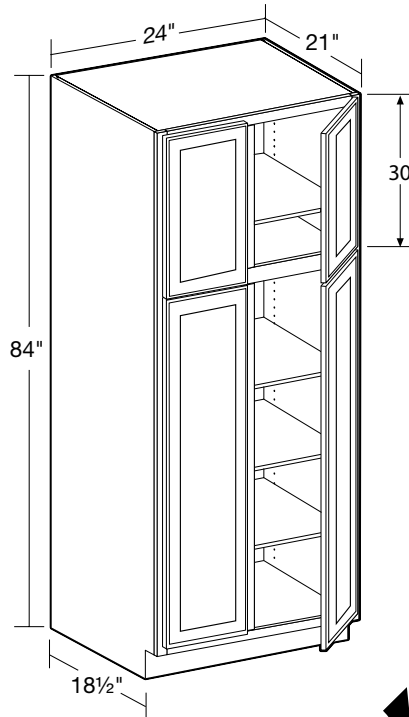


**FOR CUSTOM DEPTHS**

- Order **U182484**
- Select 9" to 23" depth

- One fixed shelf dividing upper and lower doors, four adjustable shelves

## 21" Deep Four Door Linen



**STANDARD  
21" DEPTH**  
**VLC242184**



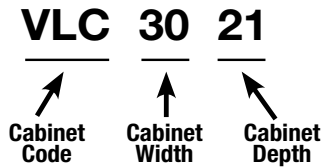
**FOR CUSTOM DEPTHS**

- Order **U242484**
- Select 9" to 23" depth

**Note: Roll out trays not available for Vanity Linen Cabinets or reduced depth cabinets.**

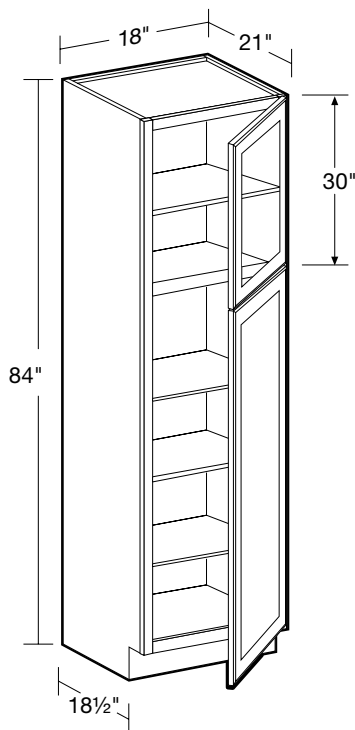
- One fixed shelf dividing upper and lower doors, four adjustable shelves

## VANITY CABINET CODING



- Standard Vanity Cabinets are 21" deep
- Cabinet depth does not include door thickness
- **Custom Depths are available where indicated. Use Standard Base Cabinet coding to order as specified.**
- Not available in Waterford Vesper White (WVW) or Wembley Veiled Gray (WVG)
- Standard cabinet exterior is color matched to face frame
- Glass ships separate from cabinets
- Matching interiors are standard in PFG cabinets

### 21" Deep Two Door Linen



**SPECIFY  
RIGHT or LEFT HINGED**

**STANDARD  
21" DEPTH  
VLC182184PFG**



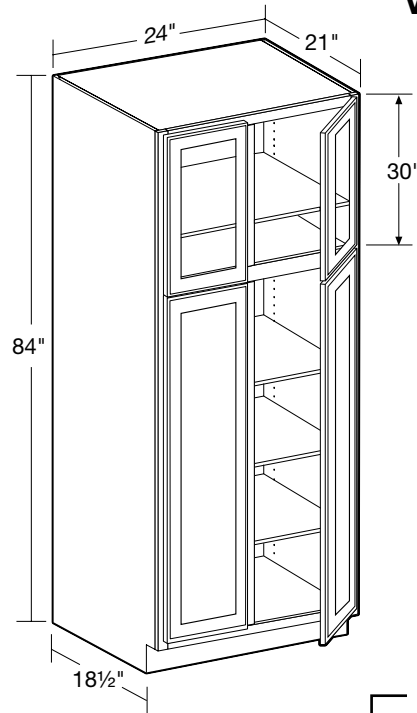
**FOR CUSTOM DEPTHS**

- Order **U182484PFG**
- Select 9" to 23" depth

- Upper doors prepped for glass, matching cabinet interior throughout
- One fixed shelf dividing upper and lower doors, four adjustable shelves

### 21" Deep Four Door Linen

**STANDARD  
21" DEPTH  
VLC242184PFG**

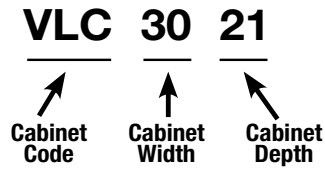


**FOR CUSTOM DEPTHS**

- Order **U242484PFG**
- Select 9" to 23" depth

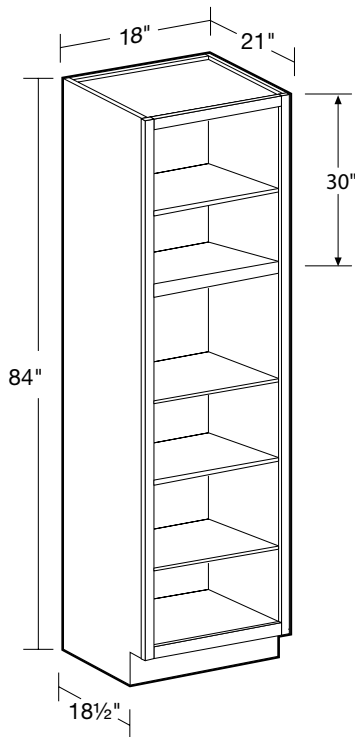
- Upper doors prepped for glass, matching cabinet interior throughout
- One fixed shelf dividing upper and lower doors, four adjustable shelves

## VANITY CABINET CODING



- Standard Vanity Linen Cabinets are 21" deep
- **Custom Depths are available where indicated. Use Standard Base Cabinet coding to order as specified.**
- Products are available in all door styles unless stated otherwise
- Standard cabinet exterior is color matched to face frame
- Matching interiors are standard in vanity linen cabinets with no doors

### 21" Deep Two Door Linen



**STANDARD  
21" DEPTH  
VLC182184ND**

**CUSTOM DEPTH**

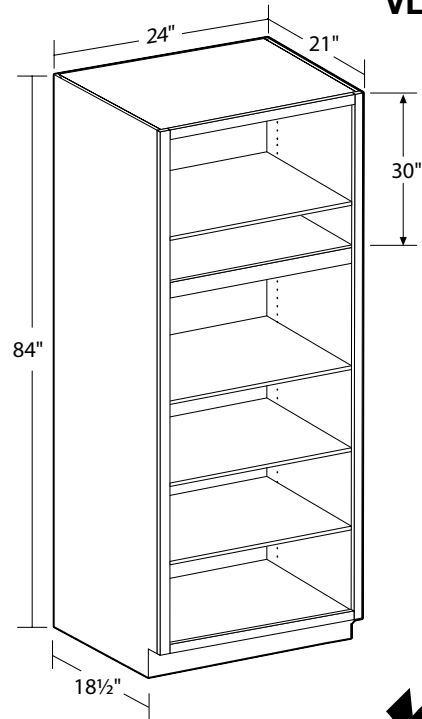
**FOR CUSTOM DEPTHS**

- Order **U182484ND**
- Select 9" to 23" depth

- One fixed shelf dividing upper and lower sections, four adjustable shelves

### 21" Deep Four Door Linen

**STANDARD  
21" DEPTH  
VLC242184ND**



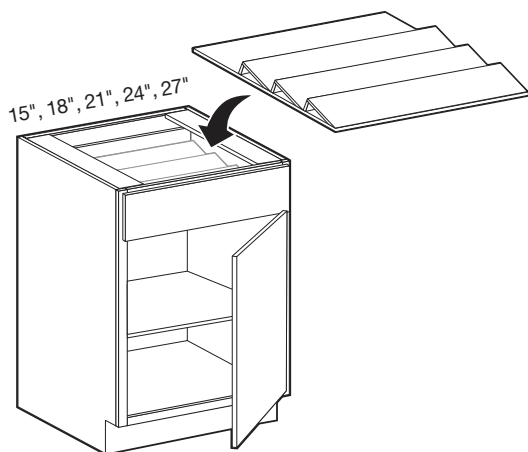
**CUSTOM DEPTH**

**FOR CUSTOM DEPTHS**

- Order **U242484ND**
- Select 9" to 23" depth

- One fixed shelf dividing upper and lower sections, four adjustable shelves

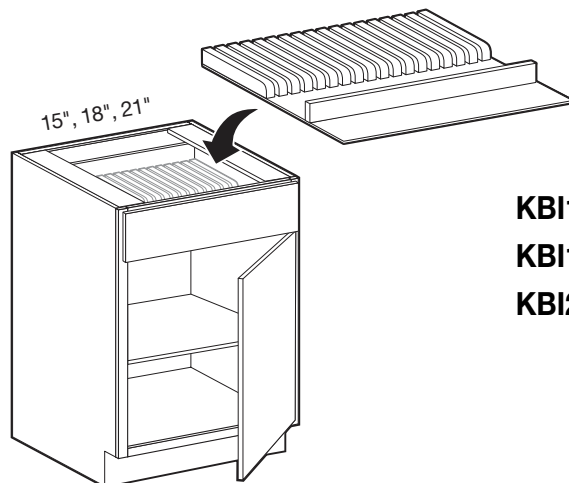
## Spice Drawer Insert



**SDI15**  
**SDI18**  
**SDI21**  
**SDI24**  
**SDI27**

- Solid hardwood drawer insert
- Three 5" high angled tiers
- Rear 4" deep compartment
- Sized to fit inside 15", 18", 21", 24", 27" wide drawers
- Not for use in custom-depth cabinets

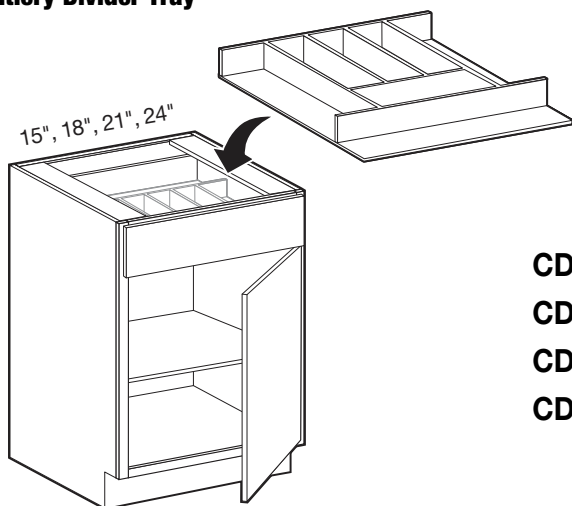
## Knife Block Insert



**KBI15**  
**KBI18**  
**KBI21**

- Solid hardwood drawer insert
- One full width front utensil compartment
- KBI15:** 10 knife slots + utensil compartment (fits B15, BD15)
- KBI18:** 13 knife slots + utensil compartment (fits B18, BD18, B36, BD36)
- KBI21:** 16 knife slots + utensil compartment (fits B21)
- Not for use in custom-depth cabinets

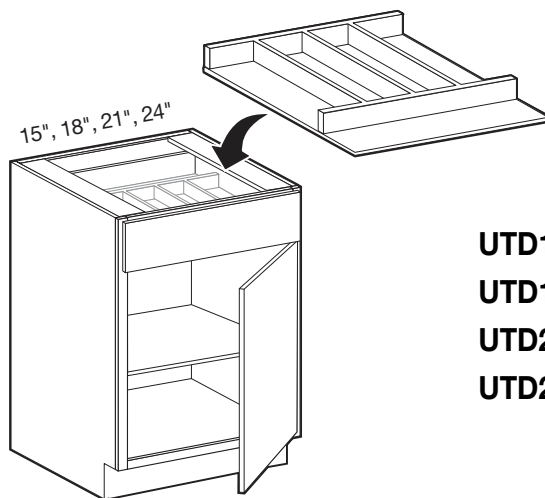
## Cutlery Divider Tray



**CDT15**  
**CDT18**  
**CDT21**  
**CDT24**

- Solid hardwood drawer insert
- One full width front utensil compartment
- CDT15:** 6 compartments 10"-14" deep (fits B15, BD15)
- CDT18:** 6 compartments 10"-14" deep (fits B18, BD18, B36, BD36)
- CDT21:** 8 compartments 10"-14" deep (fits B21)
- CDT24:** 8 compartments 10"-14" deep (fits B24, BD24)
- Not for use in custom-depth cabinets

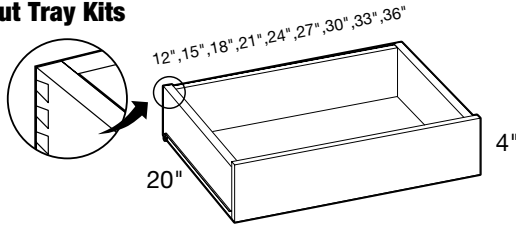
## Utensil Divider Tray



**UTD15**  
**UTD18**  
**UTD21**  
**UTD24**

- Solid hardwood drawer insert
- One full width front utensil compartment
- UTD15:** 2 additional compartments 16" deep (fits B15, BD15)
- UTD18:** 4 additional compartments 16" deep (fits B18, BD18, B36, BD36)
- UDT21:** 5 additional compartments 16" deep (fits B21)
- UTD24:** 5 additional compartments 16" deep (fits B24, BD24)
- Not for use in custom-depth cabinets

## Rollout Tray Kits



**ROT12 ROT18 ROT24 ROT30 ROT36**  
**ROT15 ROT21 ROT27 ROT33**

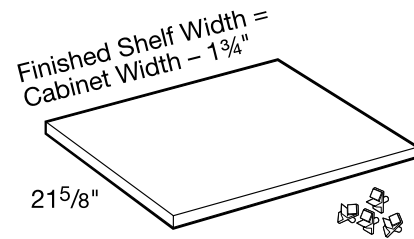
**NOTE:** Roll out trays not available for Vanity Linen Cabinets or reduced depth cabinets.

**NOTE:** The roll out trays are natural birch in color and will not be color matched if added to a PFG or No door cabinet with matching interior.

- 5/8" Solid wood dovetail construction
- Consult availability guide
- Includes ¾ extension epoxy coated smooth-glide edge mounted runners
- 75 lb. load capacity
- Available for use base and tall cabinets
- Field-install into factory pre-drilled locations only
- Not for use in custom-depth cabinets

ROLL-OUT TRAY KIT AVAILABILITY GUIDE		
PART#	DESIGNED TO FIT	ACTUAL WIDTH
ROT12	B12, B12FH	8"
ROT15	B15, B15FH	11"
ROT18	B18, B18FH, U182484 / 90 / 96	14"
ROT21	B21, B21FH	17"
ROT24	B24, B24FH, SB24, U242484 / 90 / 96	20"
ROT27	B27, B27FH, SB27	23"
ROT30	B30, B30FH, SB30	26"
ROT33	B33, B33FH, SB33	29"
ROT36	B36, B36FH, SB36	32"

## Base Cabinet Shelf Kits

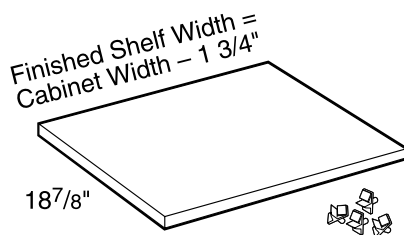


**SK1224 SK2124 SK3024**  
**SK1524 SK2424 SK3324**  
**SK1824 SK2724 SK3624**

- 3/4" Thick plywood faced with natural birch vinyl laminate and matching edgebanding.
- Edgebanded on front edge
- One shelf and set of clips per kit
- Consult availability guide

SHELF KIT AVAILABILITY GUIDE		
PART#	DESIGNED TO FIT	ACTUAL WIDTH
SK1224	B12, B12FH	10¼"
SK1524	B15, B15FH	13¼"
SK1824	B18, B18FH, U182484/96	16¼"
SK2124	B21, B21FH	19¼"
SK2424	B24, B24FH, SB24, U242484 / 90 / 96	22¼"
SK2724	B27, B27FH, SB27	25¼"
SK3024	B30, B30FH, SB30, BBCU39	28¼"
SK3324	B33, B33FH, SB33, OC332484U / 90U / 96U	31¼"
SK3624	B36, B36FH, SB36, BBCU42	34¼"

## Vanity Shelf Kit

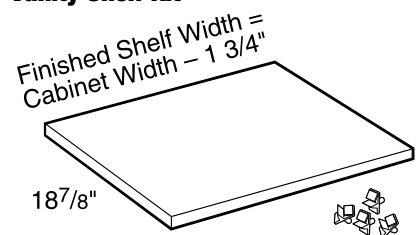


**VSK1221 VSK2121 VSK3021**  
**VSK1521 VSK2421 VSK3321**  
**VSK1821 VSK2721 VSK3621**

- Shelf kits are 3/4" thick plywood finished with vinyl laminate and matching edgebanding color matched to cabinetry face frame
- Edgebanded on front edge

**EXAMPLE:** 36" wide vanity cabinet uses VSK3621

## Matching Interior Vanity Shelf Kit

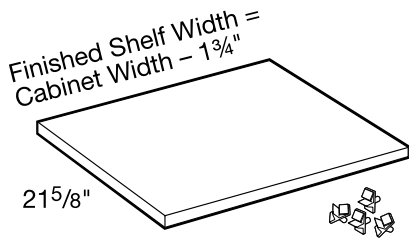


**VSK1221MI VSK2121MI VSK3021MI**  
**VSK1521MI VSK2421MI VSK3321MI**  
**VSK1821MI VSK2721MI VSK3621MI**

- Shelf kits are 3/4" thick plywood finished with vinyl laminate and matching edgebanding color matched to cabinetry face frame
- Edgebanded on front edge

**EXAMPLE:** 36" wide vanity cabinet uses VSK3621MI

## Matching Interior Base Cabinet Shelf Kits

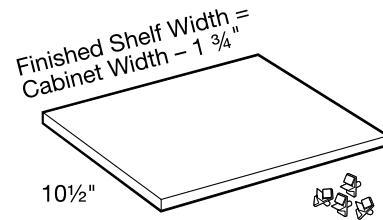


- SK1224MI SK2124MI SK3024MI**
- SK1524MI SK2424MI SK3324MI**
- SK1824MI SK2724MI SK3624MI**

- Shelf kits are 3/4" thick plywood finished with vinyl laminate and matching edgebanding color matched to cabinetry face frame
- Edgebanded on front edge
- One shelf and set of clips per kit
- Consult availability guide

SHELF KIT AVAILABILITY GUIDE FOR BASES/TALLS		
PART#	DESIGNED TO FIT	ACTUAL WIDTH
SK1224MI	B12ND	10 1/4"
SK1524MI	B15ND	13 1/4"
SK1824MI	B18ND, U182484PFG/90/96, U182484ND/90/96	16 1/4"
SK2124MI	B21ND	19 1/4"
SK2424MI	B24ND, U242484PFG/90/96, U242484ND/90/96	22 1/4"
SK2724MI	B27ND	25 1/4"
SK3024MI	B30ND	28 1/4"
SK3324MI	B33ND	31 1/4"
SK3624MI	B36ND	34 1/4"

## Matching Interior Wall Cabinet Shelf Kits



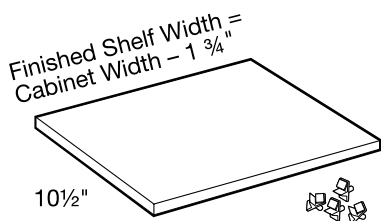
- SK1212MI SK2112MI SK3012MI**
- SK1512MI SK2412MI SK3312MI**
- SK1812MI SK2712MI SK3612MI**

- Shelf kits are 3/4" thick plywood finished with vinyl laminate and matching edgebanding color matched to cabinetry face frame
- Edgebanded on front edge
- One shelf and set of clips per kit
- Consult availability guide

EXAMPLE: 36" wide wall cabinet uses SK3612MI

SHELF KIT AVAILABILITY GUIDE FOR WALLS		
PART#	DESIGNED TO FIT	ACTUAL WIDTH
SK1212MI	W1212ND, W1230PFG/36/42, W1230ND/36/42	10 1/4"
SK1512MI	W1512ND, W1530PFG/36/42, W1530ND/36/42	13 1/4"
SK1812MI	W1812ND, W1830PFG/36/42, W1830ND/36/42	16 1/4"
SK2112MI	W2112ND, W2130PFG/36/42, W2130ND/36/42	19 1/4"
SK2412MI	W2412ND, W2430PFG/36/42, W2430ND/36/42	22 1/4"
SK2712MI	W2712ND, W2730PFG/36/42, W2730ND/36/42	25 1/4"
SK3012MI	W3012ND, W3024PFG/30/36/42, W3024ND30/36/42	28 1/4"
SK3312MI	W3312ND, W3330PFG/36/42, W3330ND/36/42	31 1/4"
SK3612MI	W3612ND, W3624PFG/30/36/42, W3624ND/30/36/42	34 1/4"

## Wall Cabinet Shelf Kits



- SK1212 SK2112 SK3012**
- SK1512 SK2412 SK3312**
- SK1812 SK2712 SK3612**

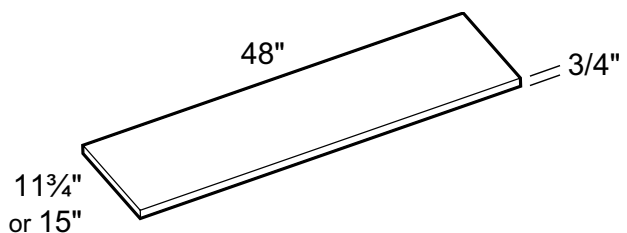
- 3/4" Thick plywood faced with natural birch vinyl laminate and matching edgebanding
- Edgebanded on front edge
- One shelf and set of clips per kit

EXAMPLE: 36" wide wall cabinet uses SK3612

## Wood Furniture Shelf

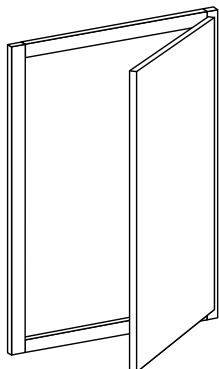
DESIGN TIP: Use a wood furniture shelf to finish the bottom of bridge cabinets where you will be able to see the underside of the cabinet. For example: Over a sink

**WFS48**  
**WFS4815**



- 3/4" thick plywood color matched to cabinetry face frame
- Two long sides edgebanded

## Cabinet Fronts Only (CFO)

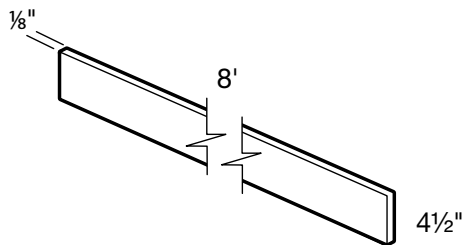


Most Wall cabinets can be ordered as "Cabinet Fronts Only". Face frame, doors, hinges and bumpers will be supplied and shipped loose.

Please consult CFO availability guide on page 61.

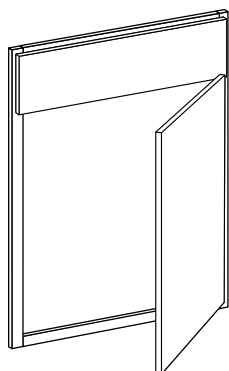
## 8' Finished Toe Kick – Matches Frame Color

**MTK8**



- 1/8" thick plywood finished with vinyl laminate color matched to cabinetry face frame
- Field modified and installed

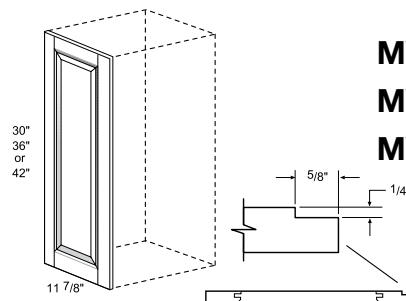
## Cabinet Fronts Only (CFO)



Most Base cabinets can be ordered as "Cabinet Fronts Only". Face frame, doors, drawer fronts, hinges, and bumpers will be supplied and shipped loose. In addition, plastic corner blocks will be supplied for false front installation requirements.

Please consult CFO availability guide on page 61.

## Matching Wall End Panels



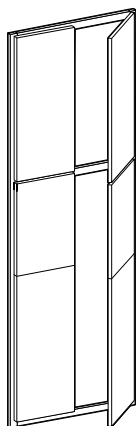
**MWEP30**  
**MWEP36**  
**MWEP42**

- 3/4" thick
- Field installation
- Panel is for Left or Right application & fits flush against cabinet sides

**NOTE:** Cannot be used in conjunction with Custom Depth Cabinets

**NOTE:** For WVV and WVG the matching panel will not be a flush application. Field adjustment to the side of the cabinet will be required

## Cabinet Fronts Only (CFO)

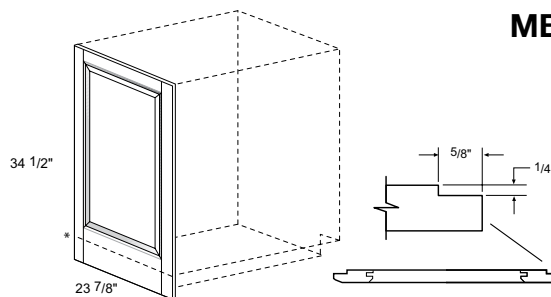


Most Tall cabinets can be ordered as "Cabinet Fronts Only". Face frame, doors, hinges and bumpers will be supplied and shipped loose.

Please consult CFO availability guide on page 61.

## Matching Base End Panel

**MBEP**



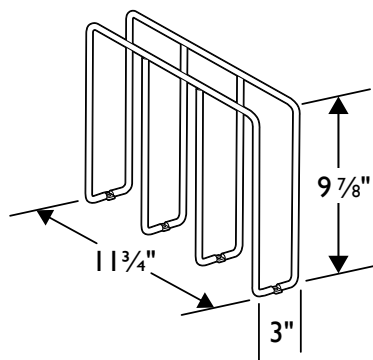
- 3/4" thick
- Field installation
- Panel is for Left or Right application & fits flush against cabinet sides

\* **BPW & RMG are 2-piece construction**

**NOTE:** Cannot be used in conjunction with Custom Depth Cabinets

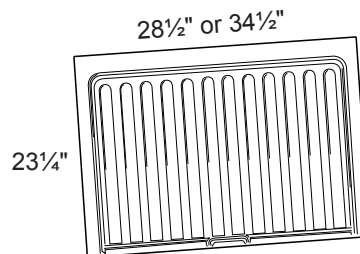
## U-Shaped Tray Divider 3" - Chrome

**USTD3-CR**



- Bakeware Organizer
- Use 2 or more to organize cabinet
- Can be used in base or wall cabinet
- **Field installation with only 4 screws**

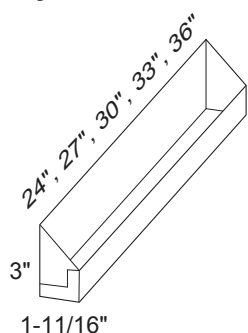
## Sink Base Liner



**SBL2730**  
**SBL3336**

- Helps protect sink cabinet from damage due to leaks in piping or drains
- Sleek surface for easy cleanup
- SBL2730 can be trimmed to fit SB27 or SB30
- SBL3336 can be trimmed to fit SB33 or SB36
- Field installed
- Grey polystyrene easy to clean surface
- Not for use in custom-depth cabinetry

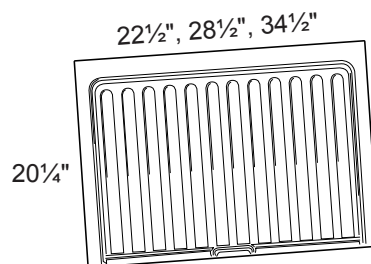
## Tilt-out Tray Kits



**SBTOTK24**  
**SBTOTK27**  
**SBTOTK30**  
**SBTOTK33\***  
**SBTOTK36\***

- Kit attaches to sink base false drawer front to create tilt-out drawer
- Holds sponges, scouring pads, dish soaps, etc.
- Stainless steel construction
- Field installed prior to countertop
- \* Two trays included to fit double false fronts

## 21" Deep Vanity Sink Base Liner

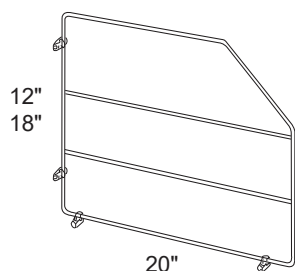


**VSBL2124**  
**VSBL2730**  
**VSBL3336**

- Helps protect sink cabinet from damage due to leaks in piping or drains
- VSBL2124 can be trimmed to fit VSB2121 or VSB2421
- VSBL2730 can be trimmed to fit VSB2721 or VSB3021
- VSBL3336 can be trimmed to fit VSB3321 or VSB3621
- Field installed
- Grey polystyrene easy to clean surface
- Not for use in custom-depth cabinetry

## Tray Dividers

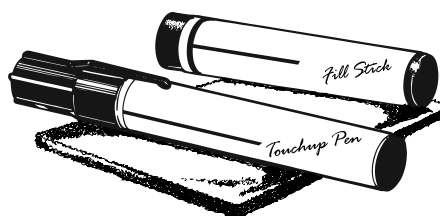
**TD12CR**  
**TD18CR**



- Available in 12" & 18" heights
- Chrome finish
- Stores baking sheets, serving dishes, etc.
- Comes with 4 clips & fasteners
- Attaches to cabinet middle or bottom shelf
- Field installed
- Not for use in custom-depth cabinets

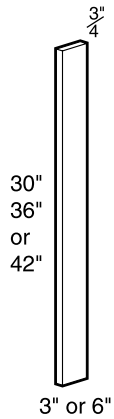
## Touch-Up Kit

**TUK**



- Includes fill stick, touch-up pen, and 4 door bumpers

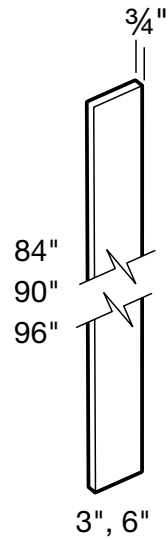
## Filler Strips



**FS30 FS630**  
**FS36 FS636**  
**FS42 FS642**  
**FS84**

- 3/4" thick solid wood
- Face and all edges finished

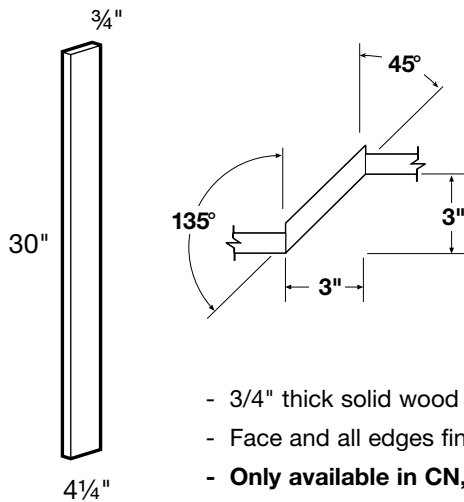
## Tall Filler Strips



**FS84**  
**FS90**  
**FS96**  
**FS696**

- 3/4" thick solid wood
- Face and all edges finished

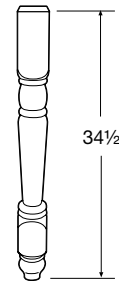
## Angle Fillers



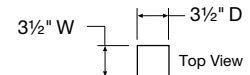
**AF330**  
**AF342**

- 3/4" thick solid wood
- Face and all edges finished
- **Only available in CN, MG and PW**

## Spindle

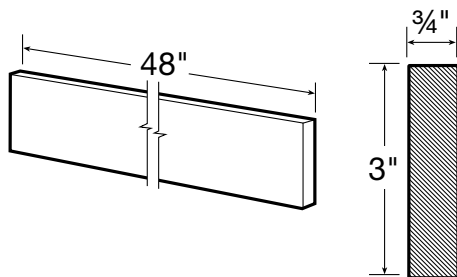


**SPL**



- Solid hardwood

## Valance

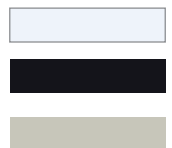
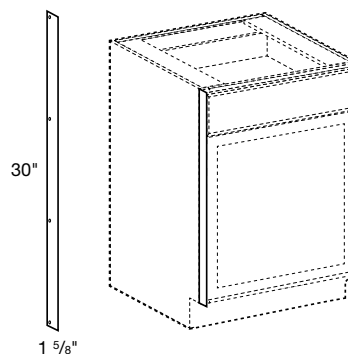


**VA48**

- 3/4" thick solid wood
- May be trimmed on each end

## Heat Shield

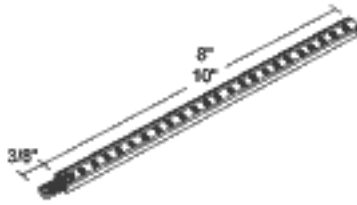
**HEAT\_SHIELD\_WHITE**  
**HEAT\_SHIELD\_BLACK**  
**HEAT\_SHIELD\_ALMOND**



- Helps protect cabinet doors adjacent to ovens
- Attaches to the cabinet face frame
- Available in White, Almond or Black

## Fineline LED Stick Lights 5000K Cool Light

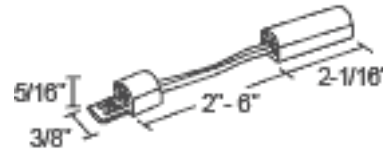
**L08STK  
L12STK**



- Easy way to provide smooth, linear lighting almost anywhere

## 24" Stick Light Linking Cord

**L24LNK**



- Connector cords for connecting FineLine LED lights together

## 1.5W LED Pockit Light 5000K - Nickel

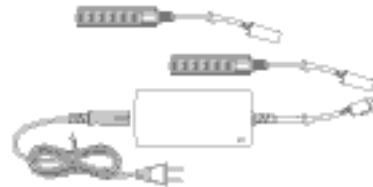
**L1.5POK**



- Cutting-edge bulb technology that provides powerful, bright light without the energy consumption and heat

## 60W Power Supply 12V DC w/2 Mount Blocks

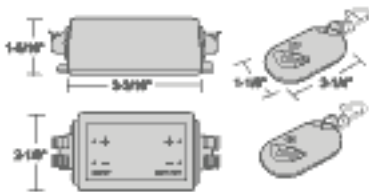
**L60PWR**



- Power supplies are Class 2, safety listed/recognized with short circuit and overload protection

## 96W LED Remote Control Dimmer 12V DC

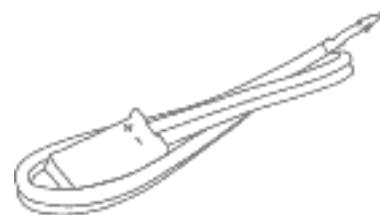
**L96RCD**



- Dims LED lighting from 100%-1% and will also turn power on/off to fixtures
- 2 key fabs included with each dimmer

## 72" Starter/Link/Extension Cord 12V DC

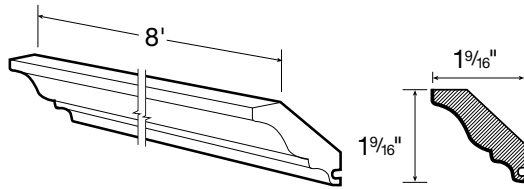
**L72SEC**



- These linking cords allow for easy wiring over and around obstacles

## Soffit Crown Molding

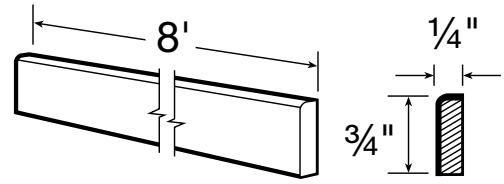
### SCM8



- 3/4" thick solid wood
- Use with TMMS8 for top of cabinet installation
- **Available in all styles except VW and VG**

## Scribe Molding

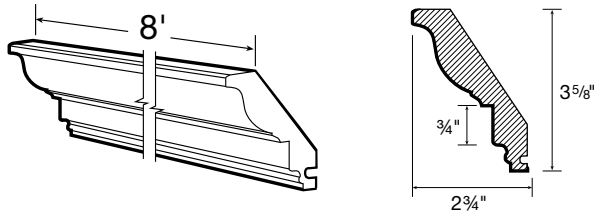
### SM8



- 1/4" thick solid wood

## Classic Crown Molding

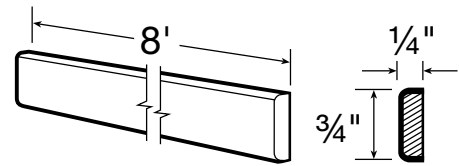
### CCM8



- 3/4" thick solid wood
- Use with TMMS8 for top of cabinet installation
- **Available in all styles except PG, VW and VG**

## Batten Molding

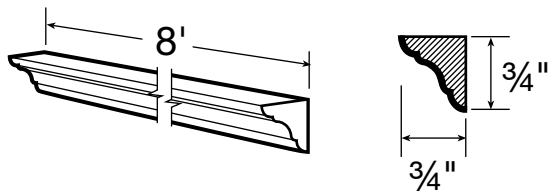
### BM8



- 1/4" thick solid wood

## Inside Corner Molding

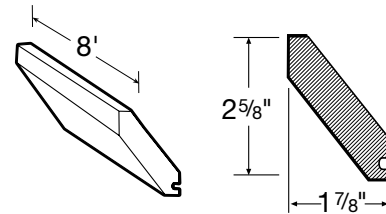
### ICM8



- 3/4" thick solid wood

## Angle Crown Molding

### ACM8

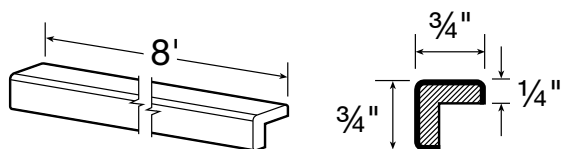


**DESIGN TIP:** When returning crown molding to the wall at the end of a run, allow at least 3" of wall space

- 3/4" thick solid wood
- Use with TMMS8 for top of cabinet installation
- **Available in all styles except VW and VG**

## Outside Corner Molding

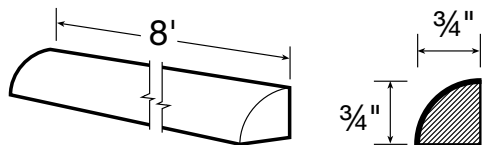
### OSC8



- 3/4" thick solid wood

## Quarter Round

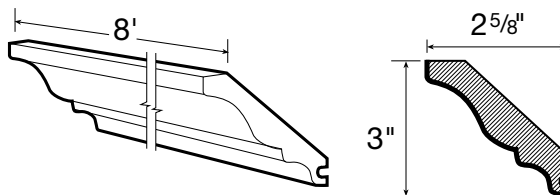
QR8



- 3/4" thick solid wood

## Crown Molding

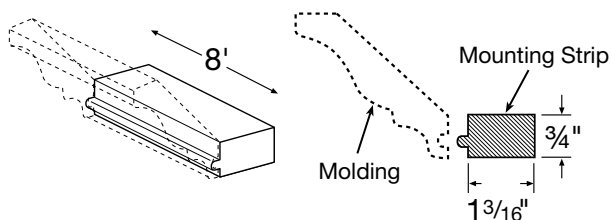
CM8



- 3/4" thick solid wood
- Use with TMMS8 for top of cabinet installation
- Available in all styles except VW and VG

## Top Molding Mounting Strip

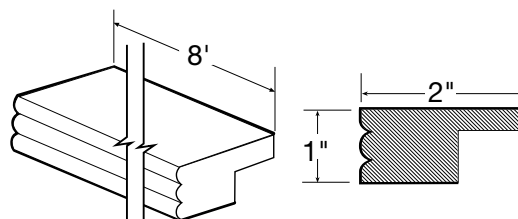
TMMS8



- 3/4" thick solid unfinished wood
- Recommended for installation of ACM8, CM8, CCM8, SCM8 moldings

## Beaded Light Rail

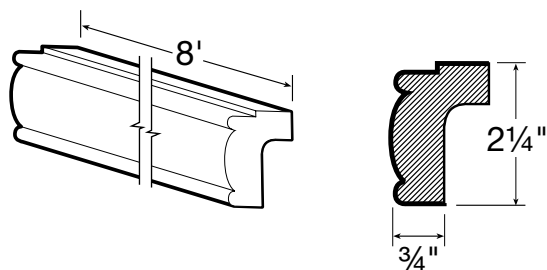
BLR8



- 1" thick solid wood

## Classic Light Rail

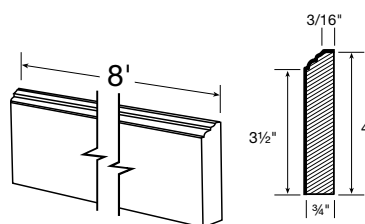
CLR8



- 3/4" thick solid wood

## Furniture Base Molding

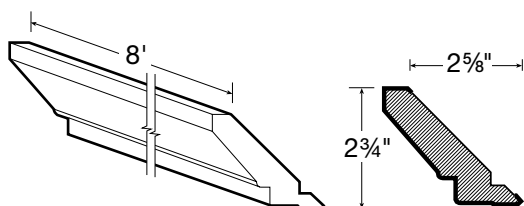
FBM8



- 3/4" thick solid wood

## Contemporary Crown Molding

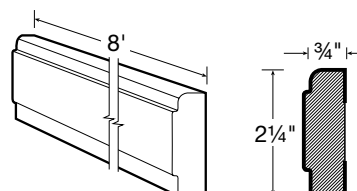
CMV8



- 3/4" thick solid MDF
- Only available in VW and VG finishes
- Not required with TMMS8

## Contemporary Light Rail

LRV8



- 3/4" thick solid MDF
- Only available in VW and VG finishes

**NOTE: Thick dark lines indicate finished edges**



## **SEMI-CUSTOM KITCHEN & BATH CABINETRY**

### **Limited Lifetime Warranty**

Casal Collection ® (warrantor) warrants to the original consumer purchaser, that all products manufactured or supplied by warrantor will be free from defects in material and workmanship. This warranty is for your lifetime as long as you own the cabinetry, on product used for Residential Purposes only and is not transferable to subsequent owners. Proof of Purchase is required.

This warranty does not cover damage resulting from normal wear, accident, misuse or lack of reasonable and necessary maintenance and service; nor does it warranty the improper installation or unauthorized repair, alteration, or modification or defects in the product when the product is installed. This warranty is limited to the repair or replacement of the defective part at the sole discretion of warrantor. Warranty is limited to Casal Collection branded products excluding all electrical components: Excluded items may carry separate warranties as provided directly by the manufacturer of these products. It is our option to provide repair parts or replace with functionally equivalent product.

Return of product may be required for replacements.

Such repair parts or replacement shall be at warrantor's expense, but customer shall bear all other expenses, including, but not limited to, cost of removal, transportation, re-installation, communication and any special service required by customer such as, overtime labor, etc.

Natural woods and finishes vary in color, grain pattern and exhibit color changes over time. Cabinets may darken or lighten with age due to exposure to certain environmental conditions including but not limited to sunlight, moisture, household cleaners, smoke, etc. Painted cabinets may show cracking at seams. These variations are considered the natural characteristics of the material and finishes and are not covered under this warranty.

In the event of a warranted product performance issue, submit request including proof of purchase documentation, specific description of warranty issue (include photos) in writing to:

**[support@mad4cabinetry.com](mailto:support@mad4cabinetry.com)**

Due to nature of materials and finishes Casal Collection cannot guarantee warranty replacement will be an exact match. Casal Collection reserves the right to alter design, specifications and material without obligation to make changes to product previously manufactured. EXCEPT TO THE EXTENT PROVIDED BY APPLICABLE LAW, ALL IMPLIED WARRANTIES, INCLUDING WARRANTIES OF MERCHANTABILITY AND FITNESS FOR A PARTICULAR PURPOSE, ARE LIMITED IN DURATION TO THE SHORTER OF THE PERIOD PROVIDED BY LAW OR THE PERIOD OF THIS WARRANTY, AND UNDER NO CIRCUMSTANCE SHALL CASAL COLLECTION BE LIABLE FOR INCIDENTAL OR CONSEQUENTIAL DAMAGES SUSTAINED IN CONNECTION WITH THE PRODUCT. THE EXPRESS WARRANTY ABOVE CONSTITUTES THE ENTIRE WARRANTY AND IS IN LIEU OF ALL OTHERS EXPRESSED OR IMPLIED.

Some states do not allow the exclusion or limitation of incidental or consequential damages, or limitation on how long an implied warranty lasts, therefore, the above limitations or exclusions may not apply to you.

This warranty gives you specific legal rights, and you may also have other rights, which vary from state to state.

#### **INDEMNITY**

Casal Collection shall not be liable for either its failure to perform or its delays in performance hereunder arising out of or resulting from causes beyond its control, including but not limited to, acts of God, acts of Representation, acts of Government, wars, fires, floods, epidemics, quarantine, strike, freight embargoes, weather or default by suppliers due to any such causes



**Your personalized experience awaits!**

support@mad4cabinetry.com

FAX: 754-203-2010

TOLL FREE: 855-461-2010

www.Mad4Cabinetry.com