



Free design available

Casal Outdoor

Your personalized experience awaits!

support@mad4cabinetry.com

FAX: 754-203-2010

TOLL FREE: 855-461-2010

www.Mad4Cabinetry.com

Door samples available



TABLE OF CONTENTS

| | |
|--|-------|
| The Casal Outdoor Collection Difference..... | 2-3 |
| Door Styles | 4-5 |
| Finishes & Features | 6 |
| Construction Options | 7 |
| Cabinet Dimensions | 8 |
| Wall Cabinets | |
| Open Back Wall Cabinets..... | 9-13 |
| Full Back Wall Cabinets | 14-18 |
| Base Cabinets | |
| Open Back Cabinets | 19-27 |
| Island Back Base Cabinets..... | 28-36 |
| Island Back Side Burner Cabinets | 37 |
| Island Back Grill Cabinets..... | 38-39 |
| Open Back Utility Cabinets | 40-41 |
| Matching End Panels and Replacement Grill Drawer Fronts..... | 42 |
| Accessories..... | 43-44 |
| Ensembles | 45-48 |

Factory Built: The Casal Outdoor Collection is built to order and arrive ready to be installed. The cabinet boxes are constructed from a waterproof ¾" ClimateTough™ composite material, using precision dowels and a solvent-free adhesive that provides excellent bond strength.

Limitations: All Designer Solid and Designer Woodgrain finishes are recommended for indoor wet or dry areas such as laundry rooms and garages or for any outdoor space where surface temperatures do not exceed 220° F.

Salt Water Environments: Oceanfront environments with salt air and sea spray will require regular maintenance and cleaning to prevent rust from forming on the handles, hinges and drawer runners. Clean stainless steel surfaces several times a month to keep the chemical reaction from the salt from gaining a foothold on the hardware. With regular cleaning, your cabinets will look like new for many years. To achieve maximum corrosion and stain resistance, the surface of the stainless steel must be kept clean.

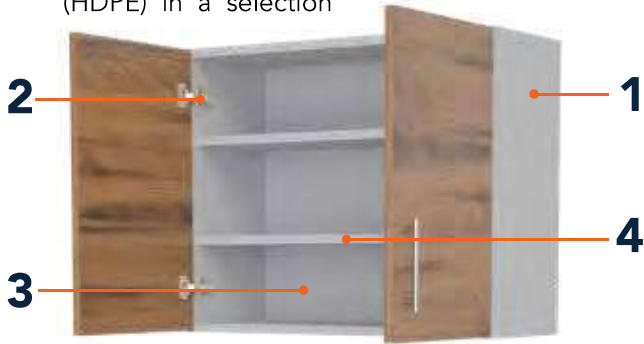
Installation to Exterior Walls: Our cabinets can be installed indoors or out. To fasten cabinets to stucco, brick, or concrete block walls, stainless steel Tapcon® fasteners are recommended (3/16" x 2¾"), sold separately. For base cabinets two fasteners are recommended, and four are recommended for wall cabinet installations.

Countertops: Granite and other natural stone materials are ideal with Casal Outdoor cabinets. Be sure to consult the supplier's recommended maintenance practices to keep your countertop looking its best.

THE CASAL OUTDOOR COLLECTION DIFFERENCE

Casal Outdoor Cabinetry boxes are manufactured in the U.S.A. using a waterproof ¾" thick ClimateTough™ composite material. Cabinet doors and drawer fronts are made from High Density Polyethylene (HDPE) in a selection

of styles and finishes. Cabinets are factory built to order in a wide variety of sizes and configurations, making Casal Outdoor cabinets ideal for outdoor kitchens, wet rooms and garage applications.



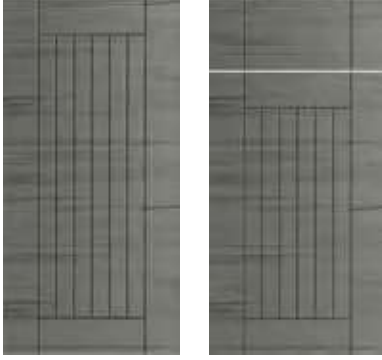
| | | |
|----------|---------------------------|---|
| 1 | Cabinets | Cabinet boxes are constructed from ¾" thick ClimateTough™ composite material. Exposed sides and island backs require matching cover panels. |
| 2 | Hinges | Soft close 6-way adjustable stainless steel hinges |
| 3 | Back Panels | Wall cabinets are available with an Open Back, or a ¾" thick Full Height Back |
| 4 | Adjustable Shelves | ¾" thick ClimateTough™ composite material. Full depth adjustable shelves in Wall & Base cabinets |
| 5 | Back Panels | Base cabinets are available with an Open Back, or a ¾" thick Full/Island Back |
| 6 | Drawer Glides | Soft close, side mounted, ball bearing stainless steel drawer runners |
| 7 | Adjustable Legs | Base cabinets are shipped fully assembled, ready to be installed on 'Sure Level' adjustable polymer legs (included). Each leg rated for 330lb static load. Snap on matching toe kick is optional for on-site modification and installation. Decorative stainless steel legs also available as an accessory. |
| 8 | Drawer Box | ¾" thick ClimateTough™ composite material construction: four sides and bottom panel. 6" high top drawer front with 3" high drawer box. 11-¾" high Deep Drawer front with 7" high drawer box. |

What is ClimateTough™ composite material? ClimateTough™ composite material is a strong moisture, rot and termite resistant composite material, designed for outdoor applications. Phenolic resins, zinc borate and wax are combined with wood fibers in a patented manufacturing process. The surface of ClimateTough™ composite material is finished with a durable decorative laminate and all exposed cabinet edges are sealed with a waterproof PVC edging.

Exposed Sides & Backs: Cabinet sides and backs that will be exposed to direct sunlight and other weather elements MUST be covered by a matching end panel in coordinating High Density Polyethylene (HDPE). Failure to install these protective panels will void the cabinet warranty.

Clean Up: Wash Casal Outdoor Cabinets with water and a soft cloth or sponge. A mild dishwashing liquid can be used if needed. A soft bristle brush may be used if needed.

DOOR STYLES



KOZANI

- 5/8" thick flat panel door with a with an extended stile cottage-inspired routed center panel design in a durable & color through High Density Polyethylene finish
- Fully concealed stainless steel hinges
- Side mounted, ball bearing stainless steel drawer runners
- Decorative hardware sold separately
- Lifetime Limited Warranty

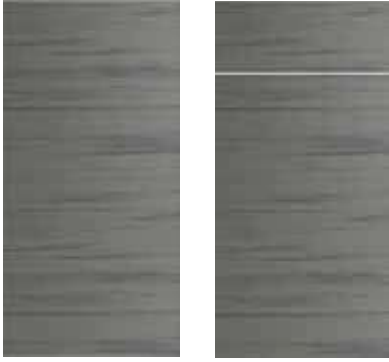


MOSCATO

- 5/8" thick flat panel door with a with an extended stile louver-inspired routed center panel design in a durable & color through High Density Polyethylene finish
- Fully concealed stainless steel hinges
- Side mounted, ball bearing stainless steel drawer runners
- Decorative hardware sold separately
- Lifetime Limited Warranty

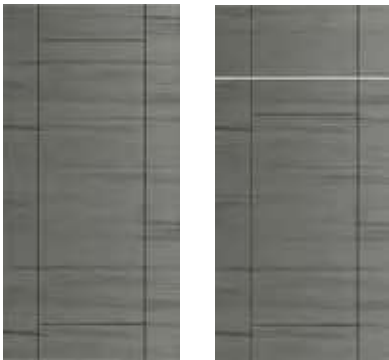


DOOR STYLES



HIRAM

- Solid and Designer Woodgrain finishes have a 5/8" thick flat panel door in a durable & color through High Density Polyethylene finish
- Fully concealed stainless steel hinges
- Side mounted, ball bearing stainless steel drawer runners
- Decorative hardware sold separately
- Lifetime Limited Warranty



DAXY

- 5/8" thick flat panel door with a with an extended stile shaker-inspired routed center panel design in a durable & color through High Density Polyethylene finish
- Fully concealed stainless steel hinges
- Side mounted, ball bearing stainless steel drawer runners
- Decorative hardware sold separately
- Lifetime Limited Warranty



FINISHES & HARDWARE

SOLID DOOR FINISHES - Lifetime Limited Warranty



WOODGRAIN DOOR FINISHES - Lifetime Limited Warranty



Solid and Woodgrain finishes are recommended for indoor wet or dry areas such as laundry rooms and garages or for any outdoor space where surface temperatures do not exceed 220° F.

CABINET BOXES AND DOOR FINISHES

All styles and finishes feature a gray ClimateTough™ composite material cabinet box. Matching End Panels and Island Panels MUST be applied to any cabinet sides and backs that will be exposed to the elements and these will match the door finish.



Cio Cabinet Gray
ClimateTough™
composite material
Cabinet Box



Cora Cabinet
Gray ClimateTough™
composite material
Cabinet Box



Ragnar Cabinet Gray
ClimateTough™
composite material
Cabinet Box



Matching End Panels
See pg 42 for available panels

HARDWARE



Soft Close, 6-way
adjustable Stainless
Steel Hinges



Soft Close, Side Mount
Ball Bearing Stainless
Steel Runners



Sure Level Adjustable
Polymer Legs

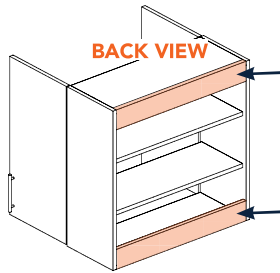


Optional Stainless Steel
Adjustable Legs

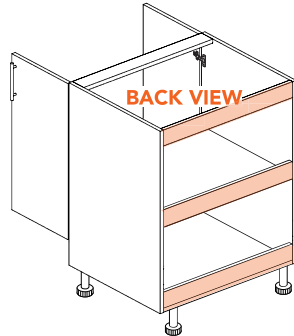
CONSTRUCTION OPTIONS

OPEN BACK CABINETS

WALL CABINETS



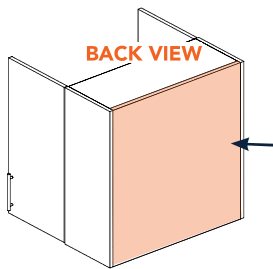
BASE CABINETS



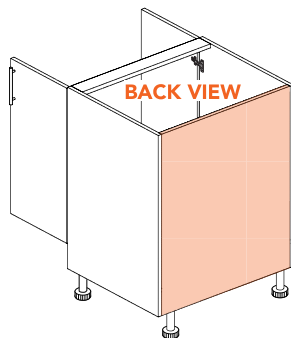
Open Back Wall Cabinets feature an open back design with two $\frac{3}{4}$ " thick and 3" high ClimateTough™ composite material installation rails (top and bottom) for secure wall mounting. Open Back Base Cabinets feature an open back design with three $\frac{3}{4}$ " thick and 3" high ClimateTough™ composite material installation rails (top, middle and bottom) for secure wall mounting. Open Back cabinets are more affordable and must be used in conjunction with Bar Riser Kits to create freestanding raised bar counters.

FULL BACK / ISLAND BACK

WALL CABINETS



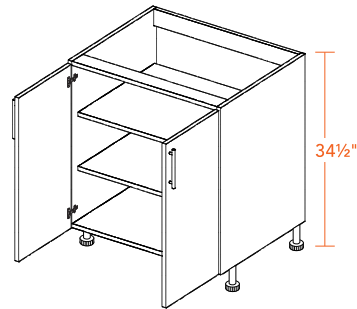
BASE CABINETS



Full Back wall cabinets and Island Back base cabinets feature a full-height $\frac{3}{4}$ " thick enclosed ClimateTough™ composite material back panel. Island Back base cabinets can be installed as a freestanding island, or as a peninsula extending from a wall.

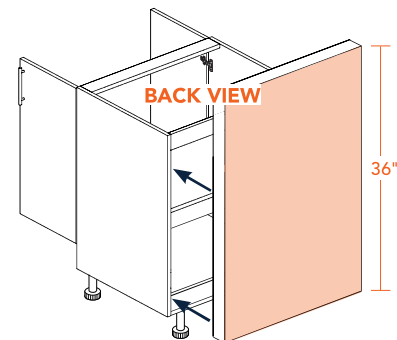
PLEASE NOTE: Freestanding Islands and peninsulas must be secured to the floor

BASE CABINETS



Base cabinet construction features a 30" high cabinet box which must be mounted on-site on $4\frac{1}{2}$ " high 'Sure Level' adjustable polymer legs. Legs are adjustable from 4" to $5\frac{1}{2}$ " high. Optional stainless steel adjustable legs are available as an accessory. Optional snap on matching toe kick panels are available 6" high x 96" long, for site modification and installation

BAR RISER KIT



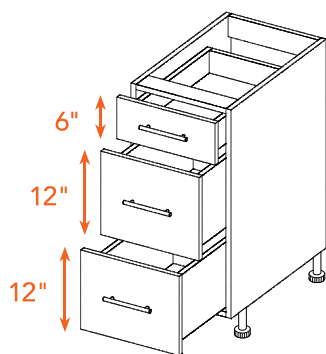
Bar Risers are 4" deep by 36" high and are available in 3" width increments from 12" to 48". When securely attached to the back of a $34\frac{1}{2}$ " high Open Back base cabinet, the top of the riser will be approximately $40\frac{1}{2}$ " from the floor. These field installed kits feature a full-height $\frac{3}{4}$ " thick enclosed ClimateTough™ composite material back panel and can only be paired with the open back base cabinets. These kits will turn almost any base cabinet into a two-level bar.

PLEASE NOTE: Exposed cabinet sides and backs MUST be covered by a matching end/island panel

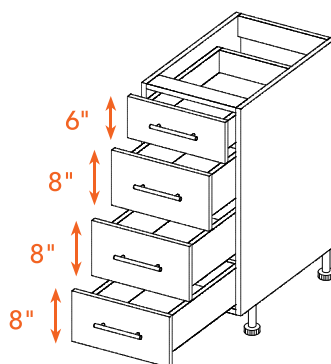
DRAWER FRONT & DRAWER BOX DIMENSIONS

| BASE CABINETS WITH DRAWERS | | | |
|----------------------------|----------------------------------|---------------------------------|--------------------------------|
| Cabinet Code | Shallow Drawer 6" High Fronts | Medium Drawer 8" High Fronts | Deep Drawer 12" High Fronts |
| B3D | 1 | 0 | 2 |
| B4D | 1 | 3 | 0 |
| B | 1 | 0 | 0 |

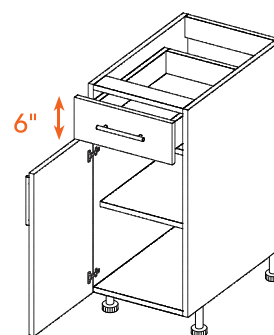
B3D 3-Drawer Base



B4D 4-Drawer Base



B Base Door & Drawer



DRAWER BOX INTERIOR DIMENSIONS

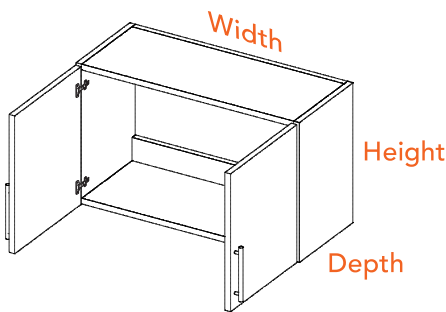
| Cabinet (Open Back & Island Back) | Shallow Drawer | | | Medium Drawer | | | Deep Drawer | | |
|--|----------------|---------|-------|---------------|---------|-------|-------------|---------|-------|
| | Height | Depth | Width | Height | Depth | Width | Height | Depth | Width |
| B12, B12-1T, B12-2T, B1227, B1227-1T, B1227-2T, B3D12, B3D1227, B4D12, B4D1227 | 3-3/4" | 20-1/4" | 8" | 5-1/4" | 20-1/4" | 8" | 7-1/4" | 20-1/4" | 8" |
| B15, B15-1T, B15-2T, B1527, B1527-1T, B1527-2T, B3D15, B3D1527, B4D15, B4D1527 | 3-3/4" | 20-1/4" | 11" | 5-1/4" | 20-1/4" | 11" | 7-1/4" | 20-1/4" | 11" |
| B18, B18-1T, B18-2T, B1827, B1827-1T, B1827-2T, B3D18, B3D1827, B4D18, B4D1827 | 3-3/4" | 20-1/4" | 14" | 5-1/4" | 20-1/4" | 14" | 7-1/4" | 20-1/4" | 14" |
| B21, B21-1T, B21-2T, B2127, B2127-1T, B2127-2T, B3D21, B3D2127, B4D21, B4D2127 | 3-3/4" | 20-1/4" | 17" | 5-1/4" | 20-1/4" | 17" | 7-1/4" | 20-1/4" | 17" |
| B24, B24-1T, B24-2T, B2427, B2427-1T, B2427-2T, B3D24, B3D2427, B4D24, B4D2427 | 3-3/4" | 20-1/4" | 20" | 5-1/4" | 20-1/4" | 20" | 7-1/4" | 20-1/4" | 20" |
| B27, B27-1T, B27-2T, B2727, B2727-1T, B2727-2T, B3D27, B3D2727, B4D27, B4D2727 | 3-3/4" | 20-1/4" | 23" | 5-1/4" | 20-1/4" | 23" | 7-1/4" | 20-1/4" | 23" |
| B30, B30-1T, B30-2T, B3027, B3027-1T, B3027-2T, B3D30, B3D3027, B4D30, B4D3027 | 3-3/4" | 20-1/4" | 26" | 5-1/4" | 20-1/4" | 26" | 7-1/4" | 20-1/4" | 26" |
| B33, B33-1T, B33-2T, B3327, B3327-1T, B3327-2T, B3D33, B3D3327, B4D33, B4D3327 | 3-3/4" | 20-1/4" | 29" | 5-1/4" | 20-1/4" | 29" | 7-1/4" | 20-1/4" | 29" |
| B36, B36-1T, B36-2T, B3627, B3627-1T, B3627-2T, B3D36, B3D3627, B4D36, B4D3627 | 3-3/4" | 20-1/4" | 30" | 5-1/4" | 20-1/4" | 30" | 7-1/4" | 20-1/4" | 30" |

OPEN BACK WALL CABINETS

| Open Back Wall Cabinet Coding | | | | |
|-------------------------------|-------|-------|--------|-----------|
| W 30 09 15 OB | | | | |
| W | 30 | 09 | 15 | OB |
| Cabinet Code | Width | Depth | Height | Open Back |

Double Door Bridge

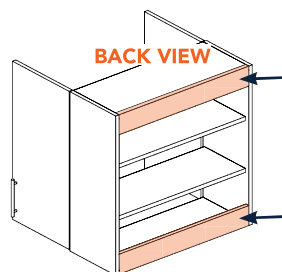
- 3/4" ClimateTough™ composite material cabinet construction
- No interior shelves included
- No back panel, two 3" high mounting rails
- Available in all door styles and finishes
- Stainless steel handles sold separately



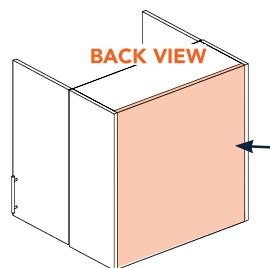
| | Item Number | Width | Depth | Height | Back |
|----------|-------------|-------|-------|--------|------|
| 15" High | W300915OB | 30 | 9 | 15 | Open |
| | W3015OB | 30 | 12 | 15 | Open |
| | W301515OB | 30 | 15 | 15 | Open |
| | W330915OB | 33 | 9 | 15 | Open |
| | W3315OB | 33 | 12 | 15 | Open |
| | W331515OB | 33 | 15 | 15 | Open |
| | W360915OB | 36 | 9 | 15 | Open |
| | W3615OB | 36 | 12 | 15 | Open |
| | W361515OB | 36 | 15 | 15 | Open |
| 18" High | W300918OB | 30 | 9 | 18 | Open |
| | W3018OB | 30 | 12 | 18 | Open |
| | W301518OB | 30 | 15 | 18 | Open |
| | W330918OB | 33 | 9 | 18 | Open |
| | W3318OB | 33 | 12 | 18 | Open |
| | W331518OB | 33 | 15 | 18 | Open |
| | W360918OB | 36 | 9 | 18 | Open |
| | W3618OB | 36 | 12 | 18 | Open |
| | W361518OB | 36 | 15 | 18 | Open |
| 24" High | W300924OB | 30 | 9 | 24 | Open |
| | W3024OB | 30 | 12 | 24 | Open |
| | W301524OB | 30 | 15 | 24 | Open |
| | W330924OB | 33 | 9 | 24 | Open |
| | W3324OB | 33 | 12 | 24 | Open |
| | W331524OB | 33 | 15 | 24 | Open |
| | W360924OB | 36 | 9 | 24 | Open |
| | W3624OB | 36 | 12 | 24 | Open |
| | W361524OB | 36 | 15 | 24 | Open |

Design Tip: Open Back Wall cabinets are the most cost effective option. If you want a completely seamless and clean inside, the full back option is recommended.

Open Back Wall Cabinets



Full Back Wall Cabinets

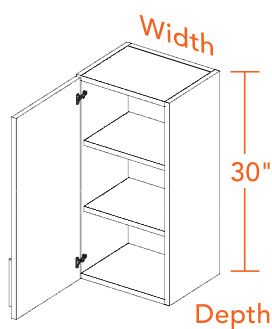


OPEN BACK WALL CABINETS

30" High Single Door

SPECIFY RIGHT or LEFT HINGED

- 2 full depth adjustable shelves
- 3/4" ClimateTough™ composite material cabinet construction
- No back panel, two 3" high mounting rails
- Available in all door styles and finishes
- Stainless steel handles sold separately

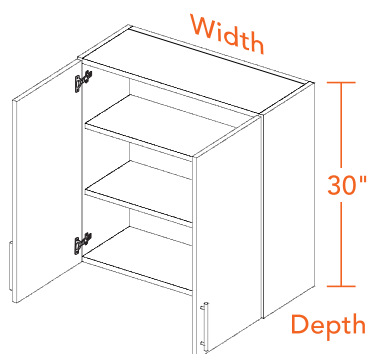


30" High

| Item Number | Width | Depth | Height | Back |
|-------------|-------|-------|--------|------|
| W120930LOB | 12 | 9 | 30 | Open |
| W120930ROB | 12 | 9 | 30 | Open |
| W1230LOB | 12 | 12 | 30 | Open |
| W1230ROB | 12 | 12 | 30 | Open |
| W121530LOB | 12 | 15 | 30 | Open |
| W121530ROB | 12 | 15 | 30 | Open |
| W150930LOB | 15 | 9 | 30 | Open |
| W150930ROB | 15 | 9 | 30 | Open |
| W1530LOB | 15 | 12 | 30 | Open |
| W1530ROB | 15 | 12 | 30 | Open |
| W151530LOB | 15 | 15 | 30 | Open |
| W151530ROB | 15 | 15 | 30 | Open |
| W180930LOB | 18 | 9 | 30 | Open |
| W180930ROB | 18 | 9 | 30 | Open |
| W1830LOB | 18 | 12 | 30 | Open |
| W1830ROB | 18 | 12 | 30 | Open |
| W181530LOB | 18 | 15 | 30 | Open |
| W181530ROB | 18 | 15 | 30 | Open |
| W210930LOB | 21 | 9 | 30 | Open |
| W210930ROB | 21 | 9 | 30 | Open |
| W2130LOB | 21 | 12 | 30 | Open |
| W2130ROB | 21 | 12 | 30 | Open |
| W211530LOB | 21 | 15 | 30 | Open |
| W211530ROB | 21 | 15 | 30 | Open |

30" High Double Door

- 2 full depth adjustable shelves
- 3/4" ClimateTough™ composite material cabinet construction
- No back panel, two 3" high mounting rails
- Available in all door styles and finishes
- Stainless steel handles sold separately



30" High

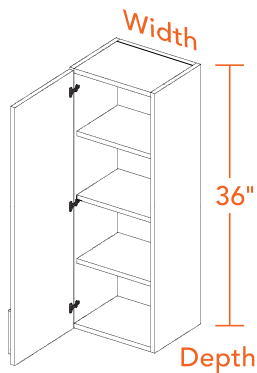
| Item Number | Width | Depth | Height | Back |
|-------------|-------|-------|--------|------|
| W240930OB | 24 | 9 | 30 | Open |
| W2430OB | 24 | 12 | 30 | Open |
| W241530OB | 24 | 15 | 30 | Open |
| W270930OB | 27 | 9 | 30 | Open |
| W2730OB | 27 | 12 | 30 | Open |
| W271530OB | 27 | 15 | 30 | Open |
| W300930OB | 30 | 9 | 30 | Open |
| W3030OB | 30 | 12 | 30 | Open |
| W301530OB | 30 | 15 | 30 | Open |
| W330930OB | 33 | 9 | 30 | Open |
| W3330OB | 33 | 12 | 30 | Open |
| W331530OB | 33 | 15 | 30 | Open |
| W360930OB | 36 | 9 | 30 | Open |
| W3630OB | 36 | 12 | 30 | Open |
| W361530OB | 36 | 15 | 30 | Open |

OPEN BACK WALL CABINETS

36" High Single Door

SPECIFY RIGHT or LEFT HINGED

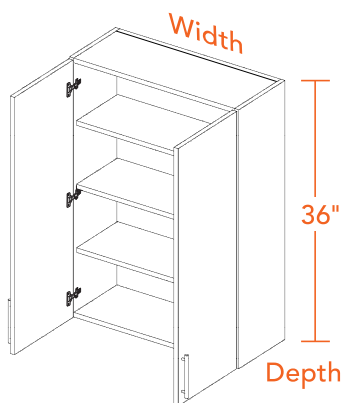
- 3 full depth adjustable shelves
- 3/4" ClimateTough™ composite material cabinet construction
- No back panel, two 3" high mounting rails
- Available in all door styles and finishes
- Stainless steel handles sold separately



| Item Number | Width | Depth | Height | Back |
|-------------|-------|-------|--------|------|
| W120936LOB | 12 | 9 | 36 | Open |
| W120936ROB | 12 | 9 | 36 | Open |
| W1236LOB | 12 | 12 | 36 | Open |
| W1236ROB | 12 | 12 | 36 | Open |
| W121536LOB | 12 | 15 | 36 | Open |
| W121536ROB | 12 | 15 | 36 | Open |
| W150936LOB | 15 | 9 | 36 | Open |
| W150936ROB | 15 | 9 | 36 | Open |
| W1536LOB | 15 | 12 | 36 | Open |
| W1536ROB | 15 | 12 | 36 | Open |
| W151536LOB | 15 | 15 | 36 | Open |
| W151536ROB | 15 | 15 | 36 | Open |
| W180936LOB | 18 | 9 | 36 | Open |
| W180936ROB | 18 | 9 | 36 | Open |
| W1836LOB | 18 | 12 | 36 | Open |
| W1836ROB | 18 | 12 | 36 | Open |
| W181536LOB | 18 | 15 | 36 | Open |
| W181536ROB | 18 | 15 | 36 | Open |
| W210936LOB | 21 | 9 | 36 | Open |
| W210936ROB | 21 | 9 | 36 | Open |
| W2136LOB | 21 | 12 | 36 | Open |
| W2136ROB | 21 | 12 | 36 | Open |
| W211536LOB | 21 | 15 | 36 | Open |
| W211536ROB | 21 | 15 | 36 | Open |

36" High Double Door

- 3 full depth adjustable shelves
- 3/4" ClimateTough™ composite material cabinet construction
- No back panel, two 3" high mounting rails
- Available in all door styles and finishes
- Stainless steel handles sold separately



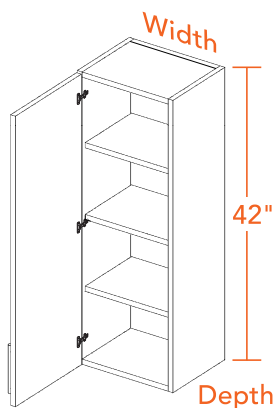
| Item Number | Width | Depth | Height | Back |
|-------------|-------|-------|--------|------|
| W240936OB | 24 | 9 | 36 | Open |
| W2436OB | 24 | 12 | 36 | Open |
| W241536OB | 24 | 15 | 36 | Open |
| W270936OB | 27 | 9 | 36 | Open |
| W2736OB | 27 | 12 | 36 | Open |
| W271536OB | 27 | 15 | 36 | Open |
| W300936OB | 30 | 9 | 36 | Open |
| W3036OB | 30 | 12 | 36 | Open |
| W301536OB | 30 | 15 | 36 | Open |
| W330936OB | 33 | 9 | 36 | Open |
| W3336OB | 33 | 12 | 36 | Open |
| W331536OB | 33 | 15 | 36 | Open |
| W360936OB | 36 | 9 | 36 | Open |
| W3636OB | 36 | 12 | 36 | Open |
| W361536OB | 36 | 15 | 36 | Open |

OPEN BACK WALL CABINETS

42" High Single Door

SPECIFY RIGHT or LEFT HINGED

- 3 full depth adjustable shelves
- 3/4" ClimateTough™ composite material cabinet construction
- No back panel, two 3" high mounting rails
- Available in all door styles and finishes
- Stainless steel handles sold separately

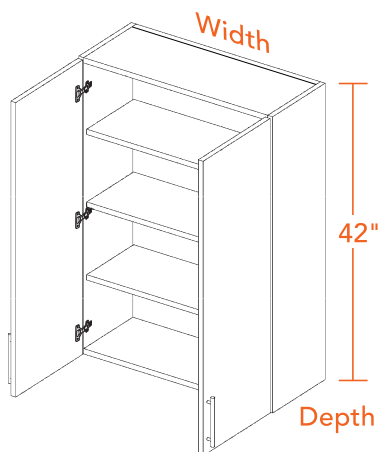


42" High

| Item Number | Width | Depth | Height | Back |
|-------------|-------|-------|--------|------|
| W120942LOB | 12 | 9 | 42 | Open |
| W120942ROB | 12 | 9 | 42 | Open |
| W1242LOB | 12 | 12 | 42 | Open |
| W1242ROB | 12 | 12 | 42 | Open |
| W121542LOB | 12 | 15 | 42 | Open |
| W121542ROB | 12 | 15 | 42 | Open |
| W150942LOB | 15 | 9 | 42 | Open |
| W150942ROB | 15 | 9 | 42 | Open |
| W1542LOB | 15 | 12 | 42 | Open |
| W1542ROB | 15 | 12 | 42 | Open |
| W151542LOB | 15 | 15 | 42 | Open |
| W151542ROB | 15 | 15 | 42 | Open |
| W180942LOB | 18 | 9 | 42 | Open |
| W180942ROB | 18 | 9 | 42 | Open |
| W1842LOB | 18 | 12 | 42 | Open |
| W1842ROB | 18 | 12 | 42 | Open |
| W181542LOB | 18 | 15 | 42 | Open |
| W181542ROB | 18 | 15 | 42 | Open |
| W210942LOB | 21 | 9 | 42 | Open |
| W210942ROB | 21 | 9 | 42 | Open |
| W2142LOB | 21 | 12 | 42 | Open |
| W2142ROB | 21 | 12 | 42 | Open |
| W211542LOB | 21 | 15 | 42 | Open |
| W211542ROB | 21 | 15 | 42 | Open |

42" High Double Door

- 3 full depth adjustable shelves
- 3/4" ClimateTough™ composite material cabinet construction
- No back panel, two 3" high mounting rails
- Available in all door styles and finishes
- Stainless steel handles sold separately



42" High

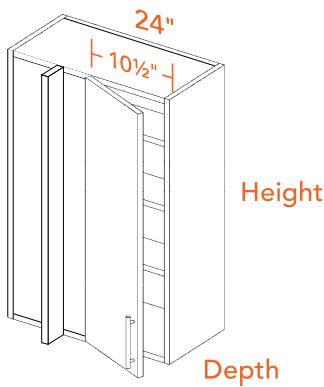
| Item Number | Width | Depth | Height | Back |
|-------------|-------|-------|--------|------|
| W240942OB | 24 | 9 | 42 | Open |
| W2442OB | 24 | 12 | 42 | Open |
| W241542OB | 24 | 15 | 42 | Open |
| W270942OB | 27 | 9 | 42 | Open |
| W2742OB | 27 | 12 | 42 | Open |
| W271542OB | 27 | 15 | 42 | Open |
| W300942OB | 30 | 9 | 42 | Open |
| W3042OB | 30 | 12 | 42 | Open |
| W301542OB | 30 | 15 | 42 | Open |
| W330942OB | 33 | 9 | 42 | Open |
| W3342OB | 33 | 12 | 42 | Open |
| W331542OB | 33 | 15 | 42 | Open |
| W360942OB | 36 | 9 | 42 | Open |
| W3642OB | 36 | 12 | 42 | Open |
| W361542OB | 36 | 15 | 42 | Open |

OPEN BACK WALL CABINETS

Blind Wall Cabinet

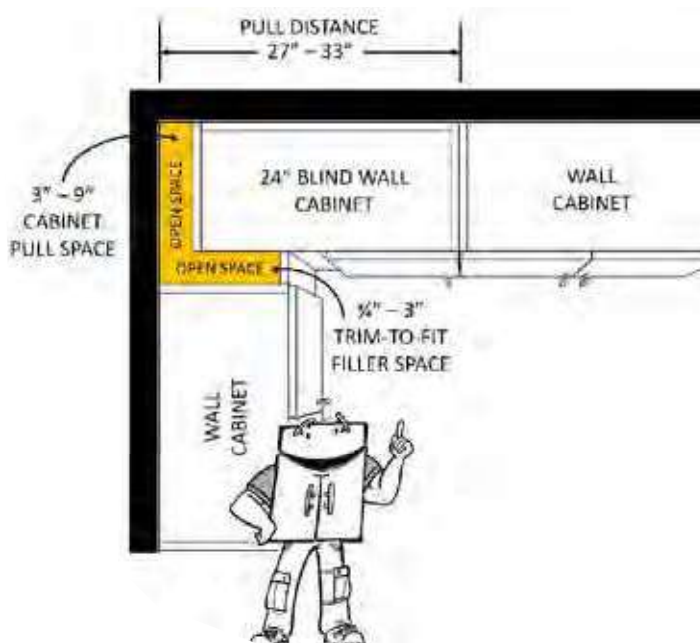
SPECIFY RIGHT or LEFT BLIND (left shown)

- 30" height 2 reduced depth adjustable shelves
- 36" and 42" height 3 reduced depth adjustable shelves
- 3/4" ClimateTough™ composite material composite material cabinet construction
- No back panel, two 3" high mounting rails
- Available in all door styles and finishes
- Door width is 12", opening is 10"
- Stainless steel handles sold separately



| | Item Number | Width | Depth | Height | Back |
|----------|---------------|-------|-------|--------|------|
| 30" High | WBCU270930LOB | 24 | 9 | 30 | Open |
| | WBCU270930ROB | 24 | 9 | 30 | Open |
| | WBCU2730LOB | 24 | 12 | 30 | Open |
| | WBCU2730ROB | 24 | 12 | 30 | Open |
| | WBCU271530LOB | 24 | 15 | 30 | Open |
| | WBCU271530ROB | 24 | 15 | 30 | Open |
| 36" High | WBCU270936LOB | 24 | 9 | 36 | Open |
| | WBCU270936ROB | 24 | 9 | 36 | Open |
| | WBCU2736LOB | 24 | 12 | 36 | Open |
| | WBCU2736ROB | 24 | 12 | 36 | Open |
| | WBCU271536LOB | 24 | 15 | 36 | Open |
| | WBCU271536ROB | 24 | 15 | 36 | Open |
| 42" High | WBCU270942LOB | 24 | 9 | 42 | Open |
| | WBCU270942ROB | 24 | 9 | 42 | Open |
| | WBCU2742LOB | 24 | 12 | 42 | Open |
| | WBCU2742ROB | 24 | 12 | 42 | Open |
| | WBCU271542LOB | 24 | 15 | 42 | Open |
| | WBCU271542ROB | 24 | 15 | 42 | Open |

Blind Wall Installation Tip: The Blind Wall cabinet is 24" wide. It must be installed from 3" to 9" away from the adjacent wall. This allows the door full clearance and provides a flexible installation range. From the adjacent wall to the far edge of the cabinet, a minimum width of 27" to a maximum width of 33" is required.

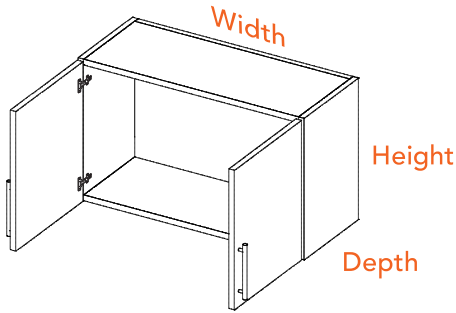


FULL BACK WALL CABINETS

| Island/Full Back Wall Cabinet Coding | | | | |
|--------------------------------------|-------|-------|--------|-------------------|
| W 30 09 15 IB | | | | |
| W | 30 | 09 | 15 | IB |
| Cabinet Code | Width | Depth | Height | Island/ Full Back |

Double Door Bridge

- 3/4" ClimateTough™ composite material cabinet construction
- No interior shelves included
- Fully integrated back panel
- Available in all door styles and finishes
- Stainless steel handles sold separately



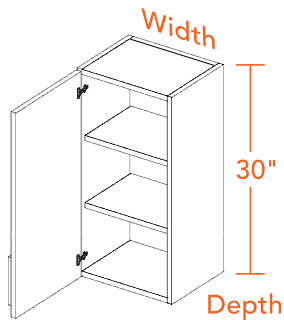
| | Item Number | Width | Depth | Height | Back |
|----------|-------------|-------|-------|--------|------|
| 15" High | W300915IB | 30 | 9 | 15 | Full |
| | W3015IB | 30 | 12 | 15 | Full |
| | W301515IB | 30 | 15 | 15 | Full |
| | W330915IB | 33 | 9 | 15 | Full |
| | W3315IB | 33 | 12 | 15 | Full |
| | W331515IB | 33 | 15 | 15 | Full |
| | W360915IB | 36 | 9 | 15 | Full |
| | W3615IB | 36 | 12 | 15 | Full |
| | W361515IB | 36 | 15 | 15 | Full |
| 18" High | W300918IB | 30 | 9 | 18 | Full |
| | W3018IB | 30 | 12 | 18 | Full |
| | W301518IB | 30 | 15 | 18 | Full |
| | W330918IB | 33 | 9 | 18 | Full |
| | W3318IB | 33 | 12 | 18 | Full |
| | W331518IB | 33 | 15 | 18 | Full |
| | W360918IB | 36 | 9 | 18 | Full |
| | W3618IB | 36 | 12 | 18 | Full |
| | W361518IB | 36 | 15 | 18 | Full |
| 24" High | W300924IB | 30 | 9 | 24 | Full |
| | W3024IB | 30 | 12 | 24 | Full |
| | W301524IB | 30 | 15 | 24 | Full |
| | W330924IB | 33 | 9 | 24 | Full |
| | W3324IB | 33 | 12 | 24 | Full |
| | W331524IB | 33 | 15 | 24 | Full |
| | W360924IB | 36 | 9 | 24 | Full |
| | W3624IB | 36 | 12 | 24 | Full |
| | W361524IB | 36 | 15 | 24 | Full |

FULL BACK WALL CABINETS

30" High Single Door

SPECIFY RIGHT or LEFT HINGED

- 2 full depth adjustable shelves
- 3/4" ClimateTough™ composite material cabinet construction
- Fully integrated back panel
- Available in all door styles and finishes
- Stainless steel handles sold separately

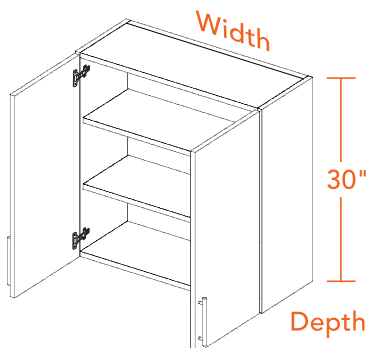


30" High

| Item Number | Width | Depth | Height | Back |
|-------------|-------|-------|--------|------|
| W120930LIB | 12 | 9 | 30 | Full |
| W120930RIB | 12 | 9 | 30 | Full |
| W1230LIB | 12 | 12 | 30 | Full |
| W1230RIB | 12 | 12 | 30 | Full |
| W121530LIB | 12 | 15 | 30 | Full |
| W121530RIB | 12 | 15 | 30 | Full |
| W150930LIB | 15 | 9 | 30 | Full |
| W150930RIB | 15 | 9 | 30 | Full |
| W1530LIB | 15 | 12 | 30 | Full |
| W1530RIB | 15 | 12 | 30 | Full |
| W151530LIB | 15 | 15 | 30 | Full |
| W151530RIB | 15 | 15 | 30 | Full |
| W180930LIB | 18 | 9 | 30 | Full |
| W180930RIB | 18 | 9 | 30 | Full |
| W1830LIB | 18 | 12 | 30 | Full |
| W1830RIB | 18 | 12 | 30 | Full |
| W181530LIB | 18 | 15 | 30 | Full |
| W181530RIB | 18 | 15 | 30 | Full |
| W210930LIB | 21 | 9 | 30 | Full |
| W210930RIB | 21 | 9 | 30 | Full |
| W2130LIB | 21 | 12 | 30 | Full |
| W2130RIB | 21 | 12 | 30 | Full |
| W211530LIB | 21 | 15 | 30 | Full |
| W211530RIB | 21 | 15 | 30 | Full |

30" High Double Door

- 2 full depth adjustable shelves
- 3/4" ClimateTough™ composite material cabinet construction
- Fully integrated back panel
- Available in all door styles and finishes
- Stainless steel handles sold separately



30" High

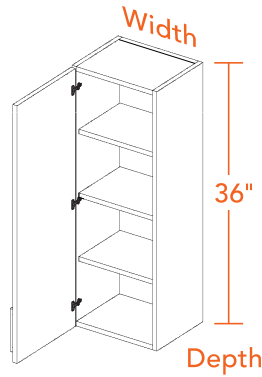
| Item Number | Width | Depth | Height | Back |
|-------------|-------|-------|--------|------|
| W240930IB | 24 | 9 | 30 | Full |
| W2430IB | 24 | 12 | 30 | Full |
| W241530IB | 24 | 15 | 30 | Full |
| W270930IB | 27 | 9 | 30 | Full |
| W2730IB | 27 | 12 | 30 | Full |
| W271530IB | 27 | 15 | 30 | Full |
| W300930IB | 30 | 9 | 30 | Full |
| W3030IB | 30 | 12 | 30 | Full |
| W301530IB | 30 | 15 | 30 | Full |
| W330930IB | 33 | 9 | 30 | Full |
| W3330IB | 33 | 12 | 30 | Full |
| W331530IB | 33 | 15 | 30 | Full |
| W360930IB | 36 | 9 | 30 | Full |
| W3630IB | 36 | 12 | 30 | Full |
| W361530IB | 36 | 15 | 30 | Full |

FULL BACK WALL CABINETS

36" High Single Door

SPECIFY RIGHT or LEFT HINGED

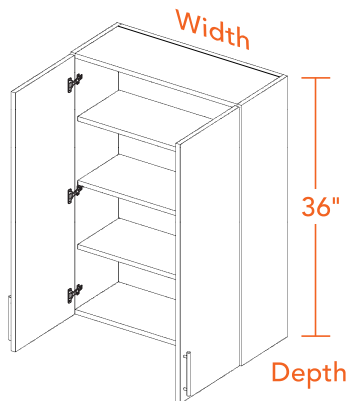
- 3 full depth adjustable shelves
- 3/4" ClimateTough™ composite material cabinet construction
- Fully integrated back panel
- Available in all door styles and finishes
- Stainless steel handles sold separately



| | Item Number | Width | Depth | Height | Back |
|------------|-------------|-------|-------|--------|------|
| 36" High | W120936LIB | 12 | 9 | 36 | Full |
| | W120936RIB | 12 | 9 | 36 | Full |
| | W1236LIB | 12 | 12 | 36 | Full |
| | W1236RIB | 12 | 12 | 36 | Full |
| | W121536LIB | 12 | 15 | 36 | Full |
| | W121536RIB | 12 | 15 | 36 | Full |
| | W150936LIB | 15 | 9 | 36 | Full |
| | W150936RIB | 15 | 9 | 36 | Full |
| | W1536LIB | 15 | 12 | 36 | Full |
| | W1536RIB | 15 | 12 | 36 | Full |
| | W151536LIB | 15 | 15 | 36 | Full |
| | W151536RIB | 15 | 15 | 36 | Full |
| | W180936LIB | 18 | 9 | 36 | Full |
| | W180936RIB | 18 | 9 | 36 | Full |
| | W1836LIB | 18 | 12 | 36 | Full |
| | W1836RIB | 18 | 12 | 36 | Full |
| | W181536LIB | 18 | 15 | 36 | Full |
| | W181536RIB | 18 | 15 | 36 | Full |
| | W210936LIB | 21 | 9 | 36 | Full |
| | W210936RIB | 21 | 9 | 36 | Full |
| | W2136LIB | 21 | 12 | 36 | Full |
| W2136RIB | 21 | 12 | 36 | Full | |
| W211536LIB | 21 | 15 | 36 | Full | |
| W211536RIB | 21 | 15 | 36 | Full | |

36" High Double Door

- 3 full depth adjustable shelves
- 3/4" ClimateTough™ composite material cabinet construction
- Fully integrated back panel
- Available in all door styles and finishes
- Stainless steel handles sold separately



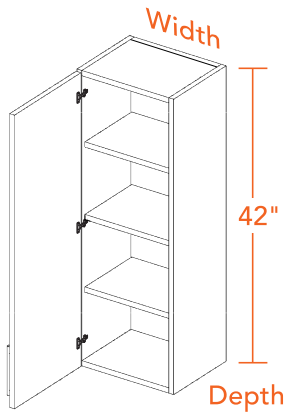
| | Item Number | Width | Depth | Height | Back |
|----------|-------------|-------|-------|--------|------|
| 36" High | W240936IB | 24 | 9 | 36 | Full |
| | W2436IB | 24 | 12 | 36 | Full |
| | W241536IB | 24 | 15 | 36 | Full |
| | W270936IB | 27 | 9 | 36 | Full |
| | W2736IB | 27 | 12 | 36 | Full |
| | W271536IB | 27 | 15 | 36 | Full |
| | W300936IB | 30 | 9 | 36 | Full |
| | W3036IB | 30 | 12 | 36 | Full |
| | W301536IB | 30 | 15 | 36 | Full |
| | W330936IB | 33 | 9 | 36 | Full |
| | W3336IB | 33 | 12 | 36 | Full |
| | W331536IB | 33 | 15 | 36 | Full |
| | W360936IB | 36 | 9 | 36 | Full |
| | W3636IB | 36 | 12 | 36 | Full |
| | W361536IB | 36 | 15 | 36 | Full |

FULL BACK WALL CABINETS

42" High Single Door

SPECIFY RIGHT or LEFT HINGED

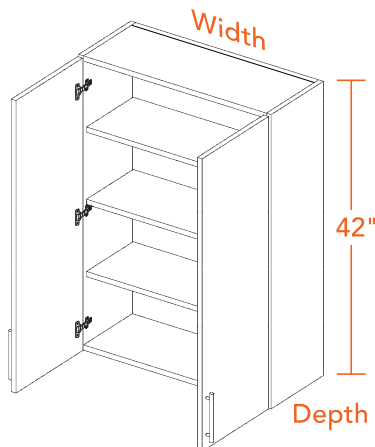
- 3 full depth adjustable shelves
- 3/4" ClimateTough™ composite material cabinet construction
- Fully integrated back panel
- Available in all door styles and finishes
- Stainless steel handles sold separately



| | Item Number | Width | Depth | Height | Back |
|------------|-------------|-------|-------|--------|------|
| 42" High | W120942LIB | 12 | 9 | 42 | Full |
| | W120942RIB | 12 | 9 | 42 | Full |
| | W1242LIB | 12 | 12 | 42 | Full |
| | W1242RIB | 12 | 12 | 42 | Full |
| | W121542LIB | 12 | 15 | 42 | Full |
| | W121542RIB | 12 | 15 | 42 | Full |
| | W150942LIB | 15 | 9 | 42 | Full |
| | W150942RIB | 15 | 9 | 42 | Full |
| | W1542LIB | 15 | 12 | 42 | Full |
| | W1542RIB | 15 | 12 | 42 | Full |
| | W151542LIB | 15 | 15 | 42 | Full |
| | W151542RIB | 15 | 15 | 42 | Full |
| | W180942LIB | 18 | 9 | 42 | Full |
| | W180942RIB | 18 | 9 | 42 | Full |
| | W1842LIB | 18 | 12 | 42 | Full |
| | W1842RIB | 18 | 12 | 42 | Full |
| | W181542LIB | 18 | 15 | 42 | Full |
| | W181542RIB | 18 | 15 | 42 | Full |
| | W210942LIB | 21 | 9 | 42 | Full |
| | W210942RIB | 21 | 9 | 42 | Full |
| | W2142LIB | 21 | 12 | 42 | Full |
| W2142RIB | 21 | 12 | 42 | Full | |
| W211542LIB | 21 | 15 | 42 | Full | |
| W211542RIB | 21 | 15 | 42 | Full | |

42" High Double Door

- 3 full depth adjustable shelves
- 3/4" ClimateTough™ composite material cabinet construction
- Fully integrated back panel
- Available in all door styles and finishes
- Stainless steel handles sold separately



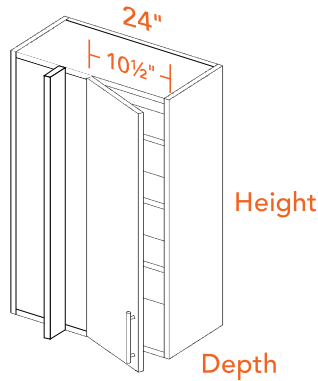
| | Item Number | Width | Depth | Height | Back |
|----------|-------------|-------|-------|--------|------|
| 42" High | W240942IB | 24 | 9 | 42 | Full |
| | W2442IB | 24 | 12 | 42 | Full |
| | W241542IB | 24 | 15 | 42 | Full |
| | W270942IB | 27 | 9 | 42 | Full |
| | W2742IB | 27 | 12 | 42 | Full |
| | W271542IB | 27 | 15 | 42 | Full |
| | W300942IB | 30 | 9 | 42 | Full |
| | W3042IB | 30 | 12 | 42 | Full |
| | W301542IB | 30 | 15 | 42 | Full |
| | W330942IB | 33 | 9 | 42 | Full |
| | W3342IB | 33 | 12 | 42 | Full |
| | W331542IB | 33 | 15 | 42 | Full |
| | W360942IB | 36 | 9 | 42 | Full |
| | W3642IB | 36 | 12 | 42 | Full |
| | W361542IB | 36 | 15 | 42 | Full |

FULL BACK WALL CABINETS

Blind Wall Cabinets

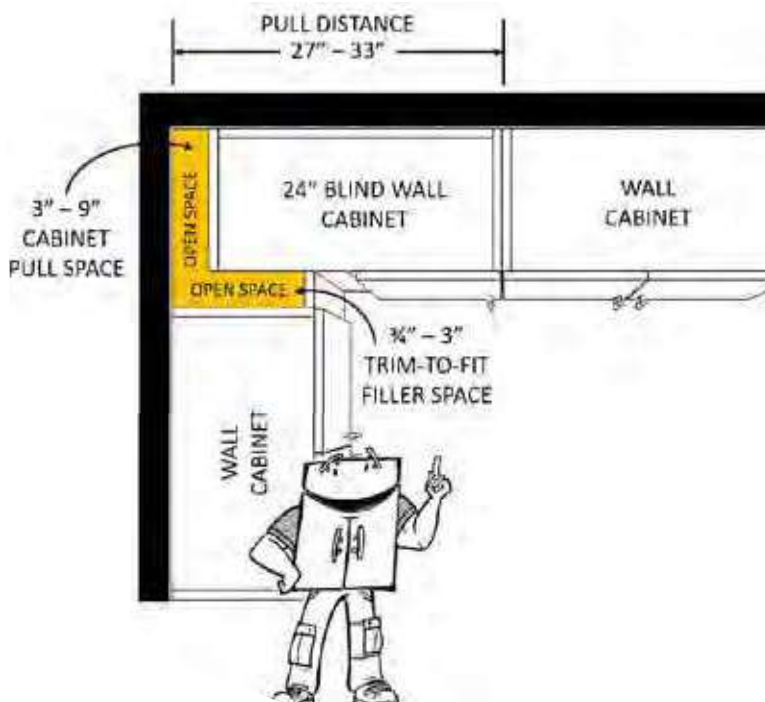
SPECIFY RIGHT or LEFT BLIND (left shown)

- 30" height 2 reduced depth adjustable shelves
- 36" and 42" height 3 reduced depth adjustable shelves
- 3/4" ClimateTough™ composite material cabinet construction
- Fully integrated back panel
- Available in all door styles and finishes
- Door width is 12", opening is 10"
- Stainless steel handles sold separately



| | Item Number | Width | Depth | Height | Back |
|----------|---------------|-------|-------|--------|------|
| 30" High | WBCU270930LIB | 24 | 9 | 30 | Full |
| | WBCU270930RIB | 24 | 9 | 30 | Full |
| | WBCU2730LIB | 24 | 12 | 30 | Full |
| | WBCU2730RIB | 24 | 12 | 30 | Full |
| | WBCU271530LIB | 24 | 15 | 30 | Full |
| | WBCU271530RIB | 24 | 15 | 30 | Full |
| 36" High | WBCU270936LIB | 24 | 9 | 36 | Full |
| | WBCU270936RIB | 24 | 9 | 36 | Full |
| | WBCU2736LIB | 24 | 12 | 36 | Full |
| | WBCU2736RIB | 24 | 12 | 36 | Full |
| | WBCU271536LIB | 24 | 15 | 36 | Full |
| | WBCU271536RIB | 24 | 15 | 36 | Full |
| 42" High | WBCU270942LIB | 24 | 9 | 42 | Full |
| | WBCU270942RIB | 24 | 9 | 42 | Full |
| | WBCU2742LIB | 24 | 12 | 42 | Full |
| | WBCU2742RIB | 24 | 12 | 42 | Full |
| | WBCU271542LIB | 24 | 15 | 42 | Full |
| | WBCU271542RIB | 24 | 15 | 42 | Full |

Blind Wall Installation Tip: The Blind Wall cabinet is 24" wide. It must be installed from 3" to 9" away from the adjacent wall. This allows the door full clearance and provides a flexible installation range. From the adjacent wall to the far edge of the cabinet, a minimum width of 27" to a maximum width of 33" is required.



OPEN BACK BASE CABINETS

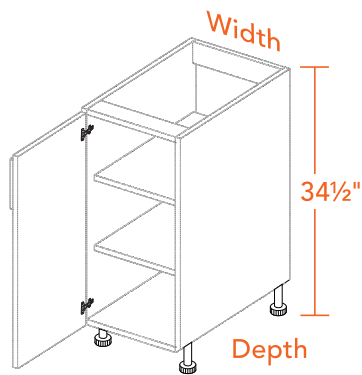
| | Item Number | Width | Depth | Height | Back |
|------------|-------------|-------|-------|--------|------|
| 34.5" High | B1218FHLOB | 12 | 18 | 34.5 | Open |
| | B1218FHROB | 12 | 18 | 34.5 | Open |
| | B1221FHLOB | 12 | 21 | 34.5 | Open |
| | B1221FHROB | 12 | 21 | 34.5 | Open |
| | B12FHLOB | 12 | 24 | 34.5 | Open |
| | B12FHROB | 12 | 24 | 34.5 | Open |
| | B1227FHLOB | 12 | 27 | 34.5 | Open |
| | B1227FHROB | 12 | 27 | 34.5 | Open |
| | B1518FHLOB | 15 | 18 | 34.5 | Open |
| | B1518FHROB | 15 | 18 | 34.5 | Open |
| | B1521FHLOB | 15 | 21 | 34.5 | Open |
| | B1521FHROB | 15 | 21 | 34.5 | Open |
| | B15FHLOB | 15 | 24 | 34.5 | Open |
| | B15FHROB | 15 | 24 | 34.5 | Open |
| | B1527FHLOB | 15 | 27 | 34.5 | Open |
| | B1527FHROB | 15 | 27 | 34.5 | Open |
| | B1818FHLOB | 18 | 18 | 34.5 | Open |
| | B1818FHROB | 18 | 18 | 34.5 | Open |
| | B1821FHLOB | 18 | 21 | 34.5 | Open |
| | B1821FHROB | 18 | 21 | 34.5 | Open |
| | B18FHLOB | 18 | 24 | 34.5 | Open |
| B18FHROB | 18 | 24 | 34.5 | Open | |
| B1827FHLOB | 18 | 27 | 34.5 | Open | |
| B1827FHROB | 18 | 27 | 34.5 | Open | |
| B2118FHLOB | 21 | 18 | 34.5 | Open | |
| B2118FHROB | 21 | 18 | 34.5 | Open | |
| B2121FHLOB | 21 | 21 | 34.5 | Open | |
| B2121FHROB | 21 | 21 | 34.5 | Open | |
| B21FHLOB | 21 | 24 | 34.5 | Open | |
| B21FHROB | 21 | 24 | 34.5 | Open | |
| B2127FHLOB | 21 | 27 | 34.5 | Open | |
| B2127FHROB | 21 | 27 | 34.5 | Open | |

| Open Back Base Cabinet Coding | | | | | |
|-------------------------------|-------|-------|------------------|------------|-----------|
| B 12 18 FH L OB | | | | | |
| B | 12 | 18 | FH | L | OB |
| Cabinet Code | Width | Depth | Full Height Door | Left Hinge | Open Back |

Full Height Single Door

SPECIFY RIGHT or LEFT HINGED

- 2 full depth adjustable shelves
- 3/4" ClimateTough™ composite material cabinet construction
- No back panel, three 3" high mounting rails
- Includes 4 'Sure Level' polymer legs, shipped loose for field installation and leveling
- Available in all door styles and finishes
- Stainless steel handles sold separately



OPEN BACK BASE CABINETS

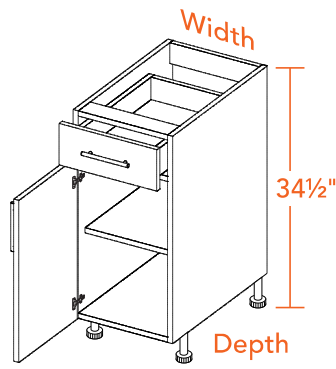
Single Door & Drawer

SPECIFY RIGHT or LEFT HINGED

- Single full depth adjustable shelf
- 3/4" ClimateTough™ composite material cabinet construction
- No back panel, three 3" high mounting rails
- Includes 4 'Sure Level' polymer legs, shipped loose for field installation and leveling
- Available in all door styles and finishes
- Stainless steel handles sold separately

34.5" High

| Item Number | Width | Depth | Height | Back |
|-------------|-------|-------|--------|------|
| B12LOB | 12 | 24 | 34.5 | Open |
| B12ROB | 12 | 24 | 34.5 | Open |
| B1227LOB | 12 | 27 | 34.5 | Open |
| B1227ROB | 12 | 27 | 34.5 | Open |
| B15LOB | 15 | 24 | 34.5 | Open |
| B15ROB | 15 | 24 | 34.5 | Open |
| B1527LOB | 15 | 27 | 34.5 | Open |
| B1527ROB | 15 | 27 | 34.5 | Open |
| B18LOB | 18 | 24 | 34.5 | Open |
| B18ROB | 18 | 24 | 34.5 | Open |
| B1827LOB | 18 | 27 | 34.5 | Open |
| B1827ROB | 18 | 27 | 34.5 | Open |
| B21LOB | 21 | 24 | 34.5 | Open |
| B21ROB | 21 | 24 | 34.5 | Open |
| B2127LOB | 21 | 27 | 34.5 | Open |
| B2127ROB | 21 | 27 | 34.5 | Open |



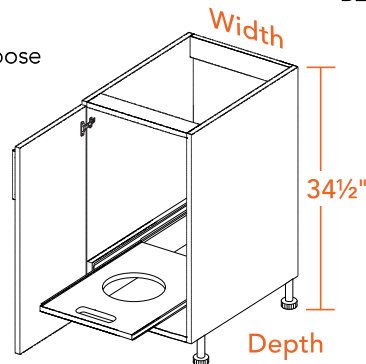
Full Height Single Door With Propane Pull-Out

SPECIFY RIGHT or LEFT HINGED

- Pull-out features soft close, side mounted, ball bearing stainless steel drawer glides
- Weather proof inset handle for easy grip
- Circular cut-out for up to a standard 20lb propane tank
- 3/4" ClimateTough™ composite material cabinet construction
- No back panel, three 3" high mounting rails
- Includes 4 'Sure Level' polymer legs, shipped loose for field installation and leveling
- Available in all door styles and finishes

34.5" High

| Item Number | Width | Depth | Height | Back |
|---------------|-------|-------|--------|------|
| B18FHLOB-PP | 18 | 24 | 34.5 | Open |
| B18FHROB-PP | 18 | 24 | 34.5 | Open |
| B1827FHLOB-PP | 18 | 27 | 34.5 | Open |
| B1827FHROB-PP | 18 | 27 | 34.5 | Open |
| B21FHLOB-PP | 21 | 24 | 34.5 | Open |
| B21FHROB-PP | 21 | 24 | 34.5 | Open |
| B2127FHLOB-PP | 21 | 27 | 34.5 | Open |
| B2127FHROB-PP | 21 | 27 | 34.5 | Open |



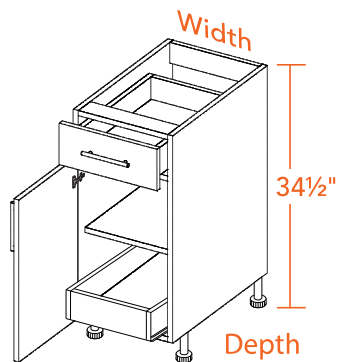
MOST POPULAR

OPEN BACK BASE CABINETS

Single Door & Drawer With 1 Roll-Out Tray

SPECIFY RIGHT or LEFT HINGED

- Roll-out tray features soft close, side mounted, ball bearing stainless steel drawer glides
- Roll-out tray is 6" high by 21 3/4" deep, and is constructed of 3/4" ClimateTough™ composite material construction, sides and bottom panel
- 3/4" ClimateTough™ composite material cabinet construction
- No back panel, three 3" high mounting rails
- Includes 4 'Sure Level' polymer legs, shipped loose for field installation and leveling
- Available in all door styles and finishes
- Stainless steel handles sold separately



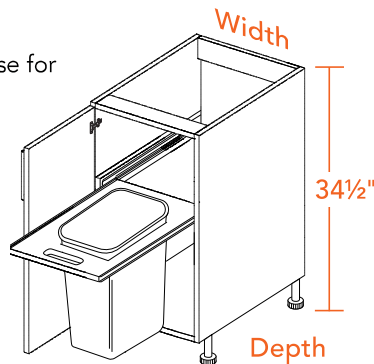
27" deep base cabinets have the same roll-out tray as the 24" deep cabinets

| Item Number | Width | Depth | Height | Back |
|-------------|-------|-------|--------|------|
| B12LOB-1T | 12 | 24 | 34.5 | Open |
| B12ROB-1T | 12 | 24 | 34.5 | Open |
| B1227LOB-1T | 12 | 27 | 34.5 | Open |
| B1227ROB-1T | 12 | 27 | 34.5 | Open |
| B15LOB-1T | 15 | 24 | 34.5 | Open |
| B15ROB-1T | 15 | 24 | 34.5 | Open |
| B1527LOB-1T | 15 | 27 | 34.5 | Open |
| B1527ROB-1T | 15 | 27 | 34.5 | Open |
| B18LOB-1T | 18 | 24 | 34.5 | Open |
| B18ROB-1T | 18 | 24 | 34.5 | Open |
| B1827LOB-1T | 18 | 27 | 34.5 | Open |
| B1827ROB-1T | 18 | 27 | 34.5 | Open |
| B21LOB-1T | 21 | 24 | 34.5 | Open |
| B21ROB-1T | 21 | 24 | 34.5 | Open |
| B2127LOB-1T | 21 | 27 | 34.5 | Open |
| B2127ROB-1T | 21 | 27 | 34.5 | Open |

Full Height Single Door With Trashcan Pull-Out

SPECIFY RIGHT or LEFT HINGED

- Pull-out features soft close, side mounted, ball bearing stainless steel drawer glides
- Weather proof inset handle for easy grip
- Removable 35 quart capacity plastic bin with weather proof gasket
- 3/4" ClimateTough™ composite material cabinet construction
- No back panel, three 3" high mounting rails
- Includes 4 'Sure Level' polymer legs, shipped loose for field installation and leveling
- Available in all door styles and finishes
- Stainless steel handles sold separately



| Item Number | Width | Depth | Height | Back |
|---------------|-------|-------|--------|------|
| B18FHLOB-TC | 18 | 24 | 34.5 | Open |
| B18FHROB-TC | 18 | 24 | 34.5 | Open |
| B1827FHLOB-TC | 18 | 27 | 34.5 | Open |
| B1827FHROB-TC | 18 | 27 | 34.5 | Open |
| B21FHLOB-TC | 21 | 24 | 34.5 | Open |
| B21FHROB-TC | 21 | 24 | 34.5 | Open |
| B2127FHLOB-TC | 21 | 27 | 34.5 | Open |
| B2127FHROB-TC | 21 | 27 | 34.5 | Open |

MOST POPULAR

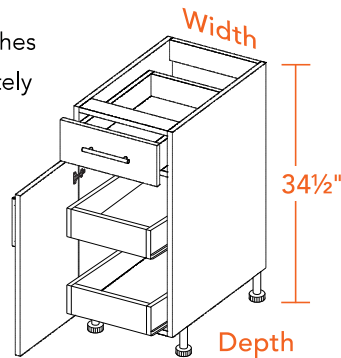
OPEN BACK BASE CABINETS

Single Door & Drawer With 2 Roll-Out Trays

SPECIFY RIGHT or LEFT HINGED

34.5" High

- Roll-out trays feature soft close, side mounted, ball bearing stainless steel drawer glides
- Roll-out tray is 6" high by 21 3/4" deep, and is constructed of 3/4" ClimateTough™ composite material construction, sides and bottom panel
- 3/4" ClimateTough™ composite material cabinet construction
- No back panel, three 3" high mounting rails
- Includes 4 'Sure Level' polymer legs, shipped loose for field installation and leveling
- Available in all door styles and finishes
- Stainless steel handles sold separately



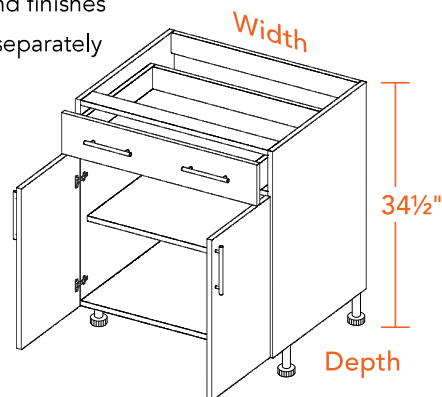
27" deep base cabinets have the same roll-out tray as the 24" deep cabinets

| Item Number | Width | Depth | Height | Back |
|-------------|-------|-------|--------|------|
| B12LOB-2T | 12 | 24 | 34.5 | Open |
| B12ROB-2T | 12 | 24 | 34.5 | Open |
| B1227LOB-2T | 12 | 27 | 34.5 | Open |
| B1227ROB-2T | 12 | 27 | 34.5 | Open |
| B15LOB-2T | 15 | 24 | 34.5 | Open |
| B15ROB-2T | 15 | 24 | 34.5 | Open |
| B1527LOB-2T | 15 | 27 | 34.5 | Open |
| B1527ROB-2T | 15 | 27 | 34.5 | Open |
| B18LOB-2T | 18 | 24 | 34.5 | Open |
| B18ROB-2T | 18 | 24 | 34.5 | Open |
| B1827LOB-2T | 18 | 27 | 34.5 | Open |
| B1827ROB-2T | 18 | 27 | 34.5 | Open |
| B21LOB-2T | 21 | 24 | 34.5 | Open |
| B21ROB-2T | 21 | 24 | 34.5 | Open |
| B2127LOB-2T | 21 | 27 | 34.5 | Open |
| B2127ROB-2T | 21 | 27 | 34.5 | Open |

Double Door & Drawer

34.5" High

- Single full depth adjustable shelf
- 3/4" ClimateTough™ composite material cabinet construction
- No back panel, three 3" high mounting rails
- Includes 4 'Sure Level' polymer legs, shipped loose for field installation and leveling
- Available in all door styles and finishes
- Stainless steel handles sold separately



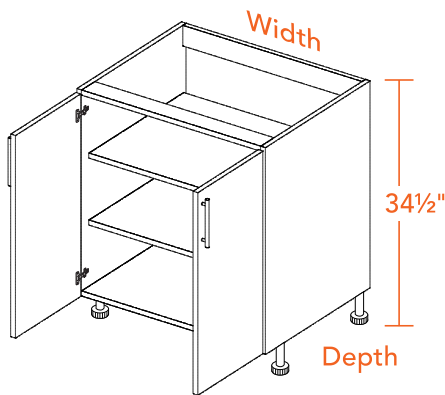
| Item Number | Width | Depth | Height | Back |
|-------------|-------|-------|--------|------|
| B24OB | 24 | 24 | 34.5 | Open |
| B2427OB | 24 | 27 | 34.5 | Open |
| B27OB | 27 | 24 | 34.5 | Open |
| B2727OB | 27 | 27 | 34.5 | Open |
| B30OB | 30 | 24 | 34.5 | Open |
| B3027OB | 30 | 27 | 34.5 | Open |
| B33OB | 33 | 24 | 34.5 | Open |
| B3327OB | 33 | 27 | 34.5 | Open |
| B36OB | 36 | 24 | 34.5 | Open |
| B3627OB | 36 | 27 | 34.5 | Open |

OPEN BACK BASE CABINETS

Full Height Double Door

- Two full-depth adjustable shelves
- 3/4" ClimateTough™ composite material cabinet construction
- No back panel, three 3" high mounting rails
- Includes 4 'Sure Level' polymer legs, shipped loose for field installation and leveling
- Available in all door styles and finishes
- Stainless steel handles sold separately

34.5" High

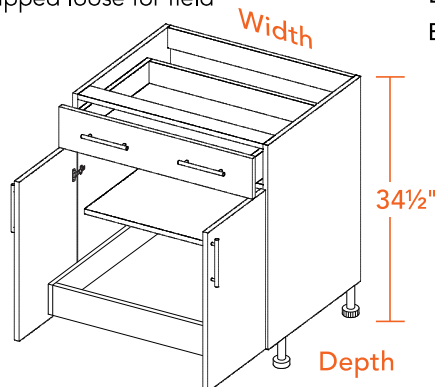


| Item Number | Width | Depth | Height | Back |
|-------------|-------|-------|--------|------|
| B2418FHOB | 24 | 18 | 34.5 | Open |
| B2421FHOB | 24 | 21 | 34.5 | Open |
| B24FHOB | 24 | 24 | 34.5 | Open |
| B2427FHOB | 24 | 27 | 34.5 | Open |
| B2718FHOB | 27 | 18 | 34.5 | Open |
| B2721FHOB | 27 | 21 | 34.5 | Open |
| B27FHOB | 27 | 24 | 34.5 | Open |
| B2727FHOB | 27 | 27 | 34.5 | Open |
| B3018FHOB | 30 | 18 | 34.5 | Open |
| B3021FHOB | 30 | 21 | 34.5 | Open |
| B30FHOB | 30 | 24 | 34.5 | Open |
| B3027FHOB | 30 | 27 | 34.5 | Open |
| B3318FHOB | 33 | 18 | 34.5 | Open |
| B3321FHOB | 33 | 21 | 34.5 | Open |
| B33FHOB | 33 | 24 | 34.5 | Open |
| B3327FHOB | 33 | 27 | 34.5 | Open |
| B3618FHOB | 36 | 18 | 34.5 | Open |
| B3621FHOB | 36 | 21 | 34.5 | Open |
| B36FHOB | 36 | 24 | 34.5 | Open |
| B3627FHOB | 36 | 27 | 34.5 | Open |

Double Door & Drawer With 1 Roll-Out Tray

- Roll-out tray features soft close, side mounted, ball bearing stainless steel drawer glides
- Roll-out tray is 6" high by 21 3/4" deep, and is constructed of 3/4" ClimateTough™ composite material construction, sides and bottom panel
- 3/4" ClimateTough™ composite material cabinet construction
- No back panel, three 3" high mounting rails
- Includes 4 'Sure Level' polymer legs, shipped loose for field installation and leveling
- Available in all door styles and finishes
- Stainless steel handles sold separately

34.5" High



| Item Number | Width | Depth | Height | Back |
|-------------|-------|-------|--------|------|
| B24OB-1T | 24 | 24 | 34.5 | Open |
| B2427OB-1T | 24 | 27 | 34.5 | Open |
| B27OB-1T | 27 | 24 | 34.5 | Open |
| B2727OB-1T | 27 | 27 | 34.5 | Open |
| B30OB-1T | 30 | 24 | 34.5 | Open |
| B3027OB-1T | 30 | 27 | 34.5 | Open |
| B33OB-1T | 33 | 24 | 34.5 | Open |
| B3327OB-1T | 33 | 27 | 34.5 | Open |
| B36OB-1T | 36 | 24 | 34.5 | Open |
| B3627OB-1T | 36 | 27 | 34.5 | Open |

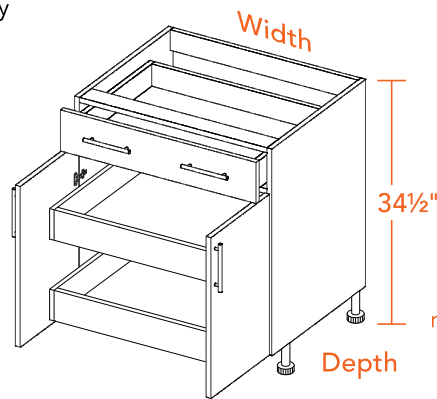
27" deep base cabinets have the same roll-out tray as the 24" deep cabinets

OPEN BACK BASE CABINETS

Double Door & Drawer With 2 Roll-Out Trays

- Roll-out trays feature soft close, side mounted, ball bearing stainless steel drawer glides **34.5" High**
- Roll-out tray is 6" high by 21 3/4" deep, and is constructed of 3/4" ClimateTough™ composite material construction, sides and bottom panel
- 3/4" ClimateTough™ composite material cabinet construction
- No back panel, three 3" high mounting rails
- Includes 4 'Sure Level' polymer legs, shipped loose for field installation and leveling
- Available in all door styles and finishes
- Stainless steel handles sold separately

| Item Number | Width | Depth | Height | Back |
|-------------|-------|-------|--------|------|
| B24OB-2T | 24 | 24 | 34.5 | Open |
| B2427OB-2T | 24 | 27 | 34.5 | Open |
| B27OB-2T | 27 | 24 | 34.5 | Open |
| B2727OB-2T | 27 | 27 | 34.5 | Open |
| B30OB-2T | 30 | 24 | 34.5 | Open |
| B3027OB-2T | 30 | 27 | 34.5 | Open |
| B33OB-2T | 33 | 24 | 34.5 | Open |
| B3327OB-2T | 33 | 27 | 34.5 | Open |
| B36OB-2T | 36 | 24 | 34.5 | Open |
| B3627OB-2T | 36 | 27 | 34.5 | Open |

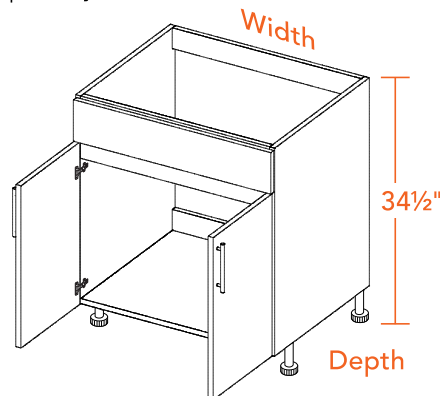


27" deep base cabinets have the same roll-out tray as the 24" deep cabinets

Double Door Sink Base

- 3/4" ClimateTough™ composite material cabinet construction **34.5" High**
- False drawer front to accommodate sink
- No adjustable shelf
- No back panel, three 3" high mounting rails
- Includes 4 'Sure Level' polymer legs, shipped loose for field installation and leveling
- Available in all door styles and finishes
- Stainless steel handles sold separately

| Item Number | Width | Depth | Height | Back |
|-------------|-------|-------|--------|------|
| SB2418OB | 24 | 18 | 34.5 | Open |
| SB2421OB | 24 | 21 | 34.5 | Open |
| SB24OB | 24 | 24 | 34.5 | Open |
| SB2427OB | 24 | 27 | 34.5 | Open |
| SB2718OB | 27 | 18 | 34.5 | Open |
| SB2721OB | 27 | 21 | 34.5 | Open |
| SB27OB | 27 | 24 | 34.5 | Open |
| SB2727OB | 27 | 27 | 34.5 | Open |
| SB3018OB | 30 | 18 | 34.5 | Open |
| SB3021OB | 30 | 21 | 34.5 | Open |
| SB30OB | 30 | 24 | 34.5 | Open |
| SB3027OB | 30 | 27 | 34.5 | Open |
| SB3318OB | 33 | 18 | 34.5 | Open |
| SB3321OB | 33 | 21 | 34.5 | Open |
| SB33OB | 33 | 24 | 34.5 | Open |
| SB3327OB | 33 | 27 | 34.5 | Open |
| SB3618OB | 36 | 18 | 34.5 | Open |
| SB3621OB | 36 | 21 | 34.5 | Open |
| SB36OB | 36 | 24 | 34.5 | Open |
| SB3627OB | 36 | 27 | 34.5 | Open |



OPEN BACK BASE CABINETS

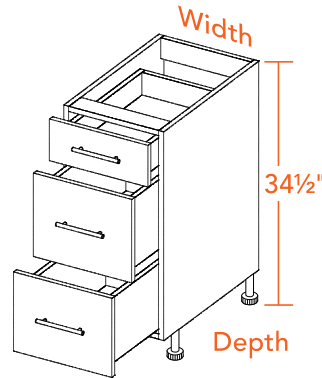
| Open Back Drawer Base Cabinet Coding | | | | |
|--------------------------------------|---------------|-------|-------|-----------|
| B 3D 12 27 OB | | | | |
| B | 3D | 12 | 27 | OB |
| Cabinet Code | Three Drawers | Width | Depth | Open Back |

34.5" High

| Item Number | Width | Depth | Height | Back |
|-------------|-------|-------|--------|------|
| B3D12OB | 12 | 24 | 34.5 | Open |
| B3D1227OB | 12 | 27 | 34.5 | Open |
| B3D15OB | 15 | 24 | 34.5 | Open |
| B3D1527OB | 15 | 27 | 34.5 | Open |
| B3D18OB | 18 | 24 | 34.5 | Open |
| B3D1827OB | 18 | 27 | 34.5 | Open |
| B3D21OB | 21 | 24 | 34.5 | Open |
| B3D2127OB | 21 | 27 | 34.5 | Open |
| B3D24OB | 24 | 24 | 34.5 | Open |
| B3D2427OB | 24 | 27 | 34.5 | Open |

3 Drawer Base

- 3/4" ClimateTough™ composite material cabinet construction
- Top drawer front is 6" high
- Middle and bottom drawer fronts are 12" high
- No back panel, three 3" high mounting rails
- Includes 4 'Sure Level' polymer legs, shipped loose for field installation and leveling
- Available in all door styles and finishes
- Stainless steel handles sold separately

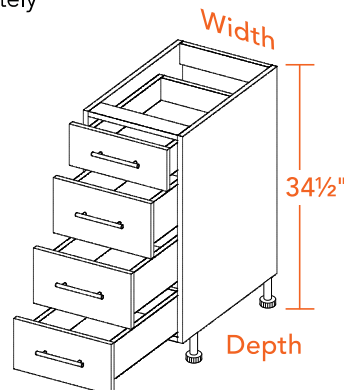


4 Drawer Base

- 3/4" ClimateTough™ composite material cabinet construction
- Top drawer front is 6" high
- Bottom three drawer fronts are 8" high
- No back panel, three 3" high mounting rails
- Includes 4 'Sure Level' polymer legs, shipped loose for field installation and leveling
- Available in all door styles and finishes
- Stainless steel handles sold separately

34.5" High

| Item Number | Width | Depth | Height | Back |
|-------------|-------|-------|--------|------|
| B4D12OB | 12 | 24 | 34.5 | Open |
| B4D1227OB | 12 | 27 | 34.5 | Open |
| B4D15OB | 15 | 24 | 34.5 | Open |
| B4D1527OB | 15 | 27 | 34.5 | Open |
| B4D18OB | 18 | 24 | 34.5 | Open |
| B4D1827OB | 18 | 27 | 34.5 | Open |
| B4D21OB | 21 | 24 | 34.5 | Open |
| B4D2127OB | 21 | 27 | 34.5 | Open |
| B4D24OB | 24 | 24 | 34.5 | Open |
| B4D2427OB | 24 | 27 | 34.5 | Open |



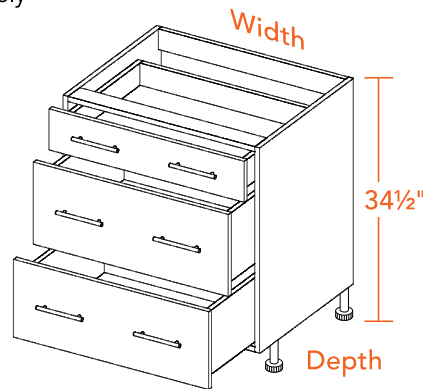
OPEN BACK BASE CABINETS

Wide 3 Drawer Base

- 3/4" ClimateTough™ composite material cabinet construction
- Top drawer front is 6" high
- Middle and bottom drawer fronts are 12" high
- No back panel, three 3" high mounting rails
- Includes 4 'Sure Level' polymer legs, shipped loose for field installation and leveling
- Available in all door styles and finishes
- Stainless steel handles sold separately

34.5" High

| Item Number | Width | Depth | Height | Back |
|-------------|-------|-------|--------|------|
| B3D27OB | 27 | 24 | 34.5 | Open |
| B3D2727OB | 27 | 27 | 34.5 | Open |
| B3D30OB | 30 | 24 | 34.5 | Open |
| B3D3027OB | 30 | 27 | 34.5 | Open |
| B3D33OB | 33 | 24 | 34.5 | Open |
| B3D3327OB | 33 | 27 | 34.5 | Open |
| B3D36OB | 36 | 24 | 34.5 | Open |
| B3D3627OB | 36 | 27 | 34.5 | Open |

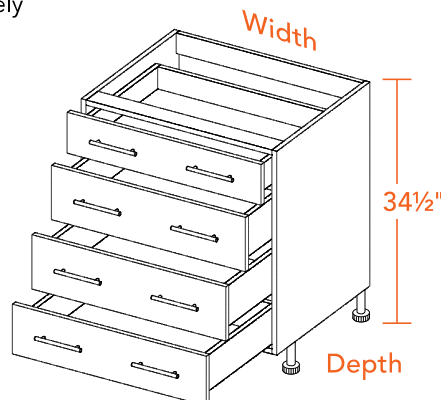


Wide 4 Drawer Base

- 3/4" ClimateTough™ composite material cabinet construction
- Top drawer front is 6" high
- Bottom three drawer fronts are 8" high
- No back panel, three 3" high mounting rails
- Includes 4 'Sure Level' polymer legs, shipped loose for field installation and leveling
- Available in all door styles and finishes
- Stainless steel handles sold separately

34.5" High

| Item Number | Width | Depth | Height | Back |
|-------------|-------|-------|--------|------|
| B4D27OB | 27 | 24 | 34.5 | Open |
| B4D2727OB | 27 | 27 | 34.5 | Open |
| B4D30OB | 30 | 24 | 34.5 | Open |
| B4D3027OB | 30 | 27 | 34.5 | Open |
| B4D33OB | 33 | 24 | 34.5 | Open |
| B4D3327OB | 33 | 27 | 34.5 | Open |
| B4D36OB | 36 | 24 | 34.5 | Open |
| B4D3627OB | 36 | 27 | 34.5 | Open |



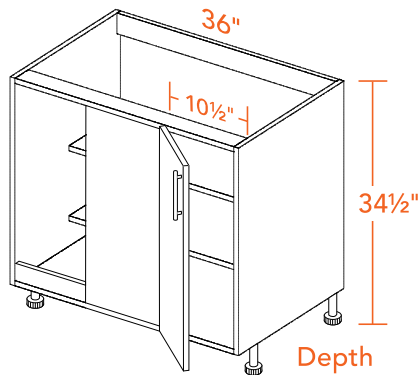
OPEN BACK BASE CABINETS

Blind Base

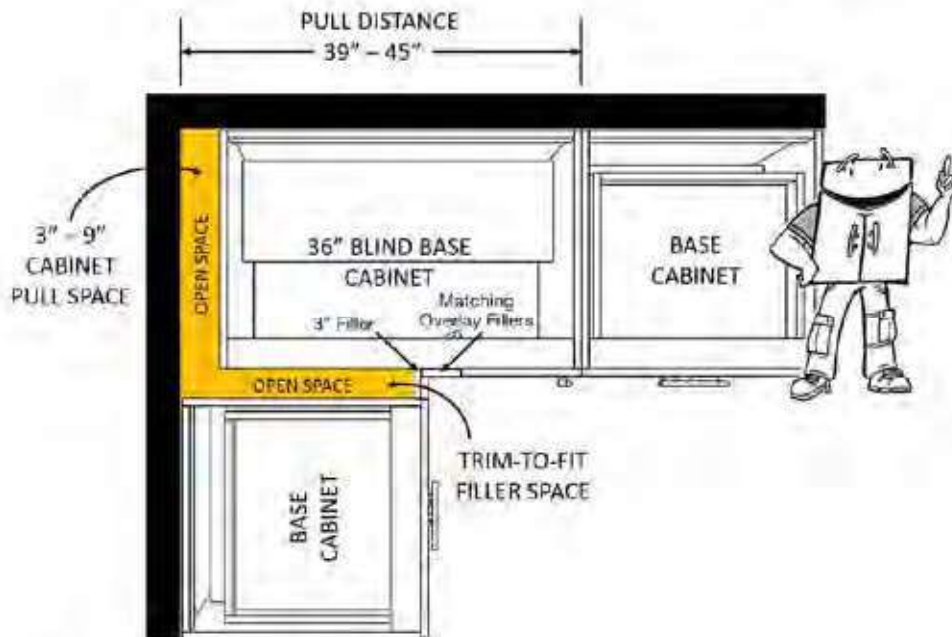
SPECIFY RIGHT or LEFT BLIND (left shown)

- Two reduced depth adjustable shelves
- 3" filler, 3" & 6" overlay fillers included
- 3/4" ClimateTough™ composite material cabinet construction
- No back panel, three 3" high mounting rails
- Includes 4 'Sure Level' polymer legs, shipped loose for field installation and leveling
- Available in all door styles and finishes
- Door width is 12", opening is 10"
- Stainless steel handles sold separately

| Item Number | Width | Depth | Height | Back |
|---------------|-------|-------|--------|------|
| BBCU3918FHLOB | 36 | 18 | 34.5 | Open |
| BBCU3918FHROB | 36 | 18 | 34.5 | Open |
| BBCU3921FHLOB | 36 | 21 | 34.5 | Open |
| BBCU3921FHROB | 36 | 21 | 34.5 | Open |
| BBCU39FHLOB | 36 | 24 | 34.5 | Open |
| BBCU39FHROB | 36 | 24 | 34.5 | Open |
| BBCU3927FHLOB | 36 | 27 | 34.5 | Open |
| BBCU3927FHROB | 36 | 27 | 34.5 | Open |



Blind Base Tip: The Blind Base cabinet is 36" wide. It must be installed from 3" to 9" away from the adjacent wall. This allows the door full clearance and provides a flexible installation range. From the adjacent wall to the far edge of the cabinet, a minimum width of 39" to a maximum width of 45" is required.



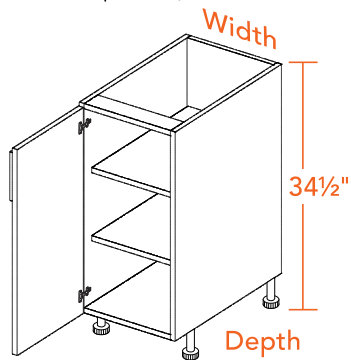
ISLAND BACK BASE CABINETS

| Island Back Base Cabinet Coding | | | | | |
|---------------------------------|-------|-------|------------------|------------|-------------|
| B 12 18 FH L IB | | | | | |
| B | 12 | 18 | FH | L | IB |
| Cabinet Code | Width | Depth | Full Height Door | Left Hinge | Island Back |

Full Height Single Door

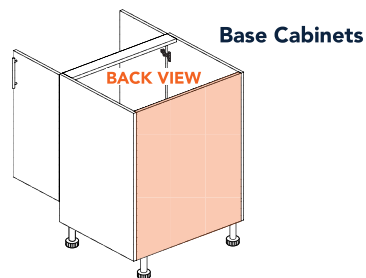
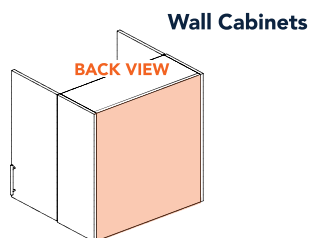
SPECIFY RIGHT or LEFT HINGED

- 2 full depth adjustable shelves
- 3/4" ClimateTough™ composite material cabinet construction
- Fully integrated back panel
- Includes 4 'Sure Level' polymer legs, shipped loose for field installation and leveling
- Available in all door styles and finishes
- Stainless steel handles sold separately



| | Item Number | Width | Depth | Height | Back |
|------------|-------------|-------|-------|--------|------|
| 34.5" High | B1218FHLIB | 12 | 18 | 34.5 | Full |
| | B1218FHRIB | 12 | 18 | 34.5 | Full |
| | B1221FHLIB | 12 | 21 | 34.5 | Full |
| | B1221FHRIB | 12 | 21 | 34.5 | Full |
| | B12FHLIB | 12 | 24 | 34.5 | Full |
| | B12FHRIB | 12 | 24 | 34.5 | Full |
| | B1227FHLIB | 12 | 27 | 34.5 | Full |
| | B1227FHRIB | 12 | 27 | 34.5 | Full |
| | B1518FHLIB | 15 | 18 | 34.5 | Full |
| | B1518FHRIB | 15 | 18 | 34.5 | Full |
| | B1521FHLIB | 15 | 21 | 34.5 | Full |
| | B1521FHRIB | 15 | 21 | 34.5 | Full |
| | B15FHLIB | 15 | 24 | 34.5 | Full |
| | B15FHRIB | 15 | 24 | 34.5 | Full |
| | B1527FHLIB | 15 | 27 | 34.5 | Full |
| | B1527FHRIB | 15 | 27 | 34.5 | Full |
| | B1818FHLIB | 18 | 18 | 34.5 | Full |
| | B1818FHRIB | 18 | 18 | 34.5 | Full |
| | B1821FHLIB | 18 | 21 | 34.5 | Full |
| | B1821FHRIB | 18 | 21 | 34.5 | Full |
| | B18FHLIB | 18 | 24 | 34.5 | Full |
| B18FHRIB | 18 | 24 | 34.5 | Full | |
| B1827FHLIB | 18 | 27 | 34.5 | Full | |
| B1827FHRIB | 18 | 27 | 34.5 | Full | |
| B2118FHLIB | 21 | 18 | 34.5 | Full | |
| B2118FHRIB | 21 | 18 | 34.5 | Full | |
| B2121FHLIB | 21 | 21 | 34.5 | Full | |
| B2121FHRIB | 21 | 21 | 34.5 | Full | |
| B21FHLIB | 21 | 24 | 34.5 | Full | |
| B21FHRIB | 21 | 24 | 34.5 | Full | |
| B2127FHLIB | 21 | 27 | 34.5 | Full | |
| B2127FHRIB | 21 | 27 | 34.5 | Full | |

Island Back Base Tip: Island Back (IB) cabinets are great for use as a free standing island and in wide open areas. The fully integrated back panels provide a factory built barrier against debris.

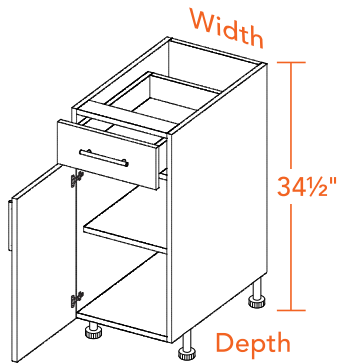


ISLAND BACK BASE CABINETS

Single Door & Drawer

SPECIFY RIGHT or LEFT HINGED

- Single full depth adjustable shelf
- 3/4" ClimateTough™ composite material cabinet construction
- Fully integrated back panel
- Includes 4 'Sure Level' polymer legs, shipped loose for field installation and leveling
- Available in all door styles and finishes
- Stainless steel handles sold separately



34.5" High

| Item Number | Width | Depth | Height | Back |
|-------------|-------|-------|--------|------|
| B12LIB | 12 | 24 | 34.5 | Full |
| B12RIB | 12 | 24 | 34.5 | Full |
| B1227LIB | 12 | 27 | 34.5 | Full |
| B1227RIB | 12 | 27 | 34.5 | Full |
| B15LIB | 15 | 24 | 34.5 | Full |
| B15RIB | 15 | 24 | 34.5 | Full |
| B1527LIB | 15 | 27 | 34.5 | Full |
| B1527RIB | 15 | 27 | 34.5 | Full |
| B18LIB | 18 | 24 | 34.5 | Full |
| B18RIB | 18 | 24 | 34.5 | Full |
| B1827LIB | 18 | 27 | 34.5 | Full |
| B1827RIB | 18 | 27 | 34.5 | Full |
| B21LIB | 21 | 24 | 34.5 | Full |
| B21RIB | 21 | 24 | 34.5 | Full |
| B2127LIB | 21 | 27 | 34.5 | Full |
| B2127RIB | 21 | 27 | 34.5 | Full |

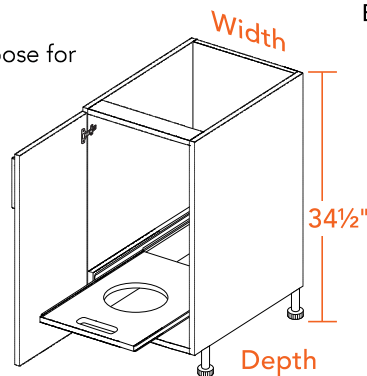
Full Height Single Door With Propane Pull-out

SPECIFY RIGHT or LEFT HINGED

- Pull-out features soft close, side mounted, ball bearing stainless steel drawer glides
- Weather proof inset handle for easy grip
- Circular cut-out for up to a standard 20lb propane tank
- 3/4" ClimateTough™ composite material cabinet construction
- Fully integrated back panel
- Includes 4 'Sure Level' polymer legs, shipped loose for field installation and leveling
- Available in all door styles and finishes
- Stainless steel handles sold separately

34.5" High

| Item Number | Width | Depth | Height | Back |
|---------------|-------|-------|--------|------|
| B18FHLOB-PP | 18 | 24 | 34.5 | Full |
| B18FHROB-PP | 18 | 24 | 34.5 | Full |
| B1827FHLOB-PP | 18 | 27 | 34.5 | Full |
| B1827FHROB-PP | 18 | 27 | 34.5 | Full |
| B21FHLOB-PP | 21 | 24 | 34.5 | Full |
| B21FHROB-PP | 21 | 24 | 34.5 | Full |
| B2127FHLOB-PP | 21 | 27 | 34.5 | Full |
| B2127FHROB-PP | 21 | 27 | 34.5 | Full |



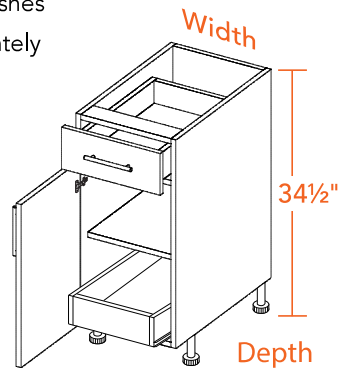
MOST POPULAR

ISLAND BACK BASE CABINETS

Single Door & Drawer With 1 Roll-Out Tray

SPECIFY RIGHT or LEFT HINGED

- Roll-out tray features soft close, side mounted, ball bearing stainless steel drawer glides
- Roll-out tray is 6" high by 21 3/4" deep, and is constructed of 3/4" ClimateTough™ composite material construction, sides and bottom panel
- 3/4" ClimateTough™ composite material cabinet construction
- Fully integrated back panel
- Includes 4 'Sure Level' polymer legs, shipped loose for field installation and leveling
- Available in all door styles and finishes
- Stainless steel handles sold separately



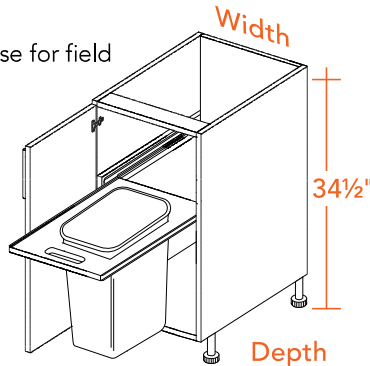
27" deep base cabinets have the same roll-out tray as the 24" deep cabinets

| Item Number | Width | Depth | Height | Back |
|-------------|-------|-------|--------|------|
| B12LIB-1T | 12 | 24 | 34.5 | Full |
| B12RIB-1T | 12 | 24 | 34.5 | Full |
| B1227LIB-1T | 12 | 27 | 34.5 | Full |
| B1227RIB-1T | 12 | 27 | 34.5 | Full |
| B15LIB-1T | 15 | 24 | 34.5 | Full |
| B15RIB-1T | 15 | 24 | 34.5 | Full |
| B1527LIB-1T | 15 | 27 | 34.5 | Full |
| B1527RIB-1T | 15 | 27 | 34.5 | Full |
| B18LIB-1T | 18 | 24 | 34.5 | Full |
| B18RIB-1T | 18 | 24 | 34.5 | Full |
| B1827LIB-1T | 18 | 27 | 34.5 | Full |
| B1827RIB-1T | 18 | 27 | 34.5 | Full |
| B21LIB-1T | 21 | 24 | 34.5 | Full |
| B21RIB-1T | 21 | 24 | 34.5 | Full |
| B2127LIB-1T | 21 | 27 | 34.5 | Full |
| B2127RIB-1T | 21 | 27 | 34.5 | Full |

Full Height Single Door With Trashcan Pull-Out

SPECIFY RIGHT or LEFT HINGED

- Pull-out features soft close, side mounted, ball bearing stainless steel drawer glides
- Weather proof inset handle for easy grip
- Removable 35 quart capacity plastic bin with weather proof gasket
- 3/4" ClimateTough™ composite material cabinet construction
- Fully integrated back panel
- Includes 4 'Sure Level' polymer legs, shipped loose for field installation and leveling
- Available in all door styles and finishes
- Stainless steel handles sold separately



| Item Number | Width | Depth | Height | Back |
|---------------|-------|-------|--------|------|
| B18FHLIB-TC | 18 | 24 | 34.5 | Full |
| B18FHRIB-TC | 18 | 24 | 34.5 | Full |
| B1827FHLIB-TC | 18 | 27 | 34.5 | Full |
| B1827FHRIB-TC | 18 | 27 | 34.5 | Full |
| B21FHLIB-TC | 21 | 24 | 34.5 | Full |
| B21FHRIB-TC | 21 | 24 | 34.5 | Full |
| B2127FHLIB-TC | 21 | 27 | 34.5 | Full |
| B2127FHRIB-TC | 21 | 27 | 34.5 | Full |

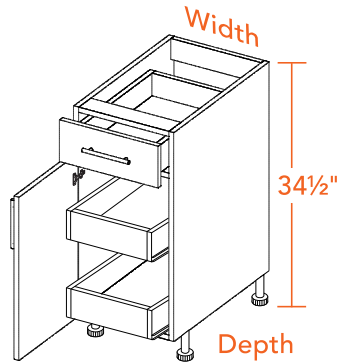
MOST POPULAR

ISLAND BACK BASE CABINETS

Single Door & Drawer With 2 Roll-Out Trays

SPECIFY RIGHT or LEFT HINGED

- Roll-out trays feature soft close, side mounted, ball bearing stainless steel drawer glides
- Roll-out tray is 6" high by 21 3/4" deep, and is constructed of 3/4" ClimateTough™ composite material construction, sides and bottom panel
- 3/4" ClimateTough™ composite material cabinet construction
- Fully integrated back panel
- Includes 4 'Sure Level' polymer legs, shipped loose for field installation and leveling
- Available in all door styles and finishes
- Stainless steel handles sold separately

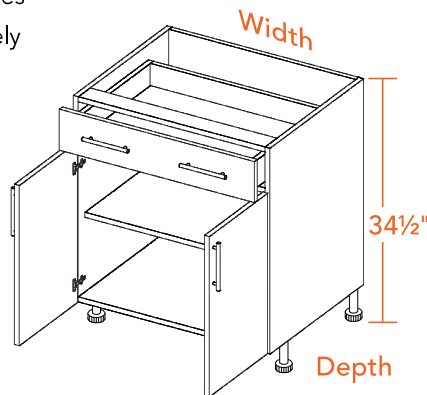


27" deep base cabinets have the same roll-out tray as the 24" deep cabinets

| Item Number | Width | Depth | Height | Back |
|-------------|-------|-------|--------|------|
| B12LIB-2T | 12 | 24 | 34.5 | Full |
| B12RIB-2T | 12 | 24 | 34.5 | Full |
| B1227LIB-2T | 12 | 27 | 34.5 | Full |
| B1227RIB-2T | 12 | 27 | 34.5 | Full |
| B15LIB-2T | 15 | 24 | 34.5 | Full |
| B15RIB-2T | 15 | 24 | 34.5 | Full |
| B1527LIB-2T | 15 | 27 | 34.5 | Full |
| B1527RIB-2T | 15 | 27 | 34.5 | Full |
| B18LIB-2T | 18 | 24 | 34.5 | Full |
| B18RIB-2T | 18 | 24 | 34.5 | Full |
| B1827LIB-2T | 18 | 27 | 34.5 | Full |
| B1827RIB-2T | 18 | 27 | 34.5 | Full |
| B21LIB-2T | 21 | 24 | 34.5 | Full |
| B21RIB-2T | 21 | 24 | 34.5 | Full |
| B2127LIB-2T | 21 | 27 | 34.5 | Full |
| B2127RIB-2T | 21 | 27 | 34.5 | Full |

Double Door & Drawer

- Single full depth adjustable shelf
- 3/4" ClimateTough™ composite material cabinet construction
- Fully integrated back panel
- Includes 4 'Sure Level' polymer legs, shipped loose for field installation and leveling
- Available in all door styles and finishes
- Stainless steel handles sold separately



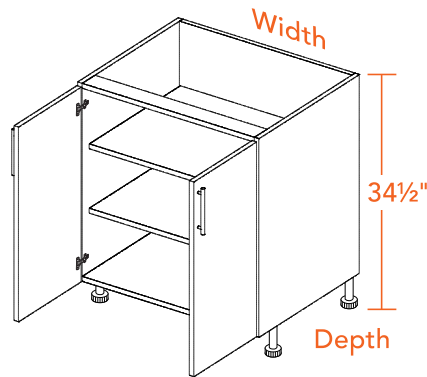
| Item Number | Width | Depth | Height | Back |
|-------------|-------|-------|--------|------|
| B24IB | 24 | 24 | 34.5 | Full |
| B2427IB | 24 | 27 | 34.5 | Full |
| B27IB | 27 | 24 | 34.5 | Full |
| B2727IB | 27 | 27 | 34.5 | Full |
| B30IB | 30 | 24 | 34.5 | Full |
| B3027IB | 30 | 27 | 34.5 | Full |
| B33IB | 33 | 24 | 34.5 | Full |
| B3327IB | 33 | 27 | 34.5 | Full |
| B36IB | 36 | 24 | 34.5 | Full |
| B3627IB | 36 | 27 | 34.5 | Full |

ISLAND BACK BASE CABINETS

Full Height Double Door

- Two full-depth adjustable shelves
- 3/4" ClimateTough™ composite material cabinet construction
- Fully integrated back panel
- Includes 4 'Sure Level' polymer legs, shipped loose for field installation and leveling
- Available in all door styles and finishes
- Stainless steel handles sold separately

34.5" High

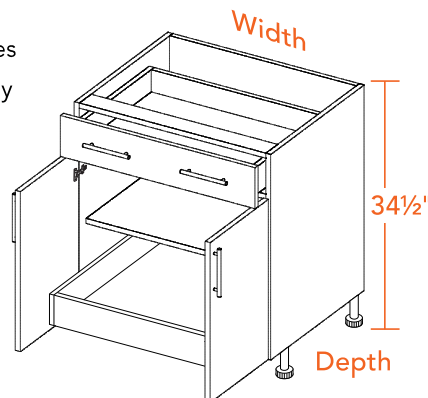


| Item Number | Width | Depth | Height | Back |
|-------------|-------|-------|--------|------|
| B2418FHIB | 24 | 18 | 34.5 | Full |
| B2421FHIB | 24 | 21 | 34.5 | Full |
| B24FHIB | 24 | 24 | 34.5 | Full |
| B2427FHIB | 24 | 27 | 34.5 | Full |
| B2718FHIB | 27 | 18 | 34.5 | Full |
| B2721FHIB | 27 | 21 | 34.5 | Full |
| B27FHIB | 27 | 24 | 34.5 | Full |
| B2727FHIB | 27 | 27 | 34.5 | Full |
| B3018FHIB | 30 | 18 | 34.5 | Full |
| B3021FHIB | 30 | 21 | 34.5 | Full |
| B30FHIB | 30 | 24 | 34.5 | Full |
| B3027FHIB | 30 | 27 | 34.5 | Full |
| B3318FHIB | 33 | 18 | 34.5 | Full |
| B3321FHIB | 33 | 21 | 34.5 | Full |
| B33FHIB | 33 | 24 | 34.5 | Full |
| B3327FHIB | 33 | 27 | 34.5 | Full |
| B3618FHIB | 36 | 18 | 34.5 | Full |
| B3621FHIB | 36 | 21 | 34.5 | Full |
| B36FHIB | 36 | 24 | 34.5 | Full |
| B3627FHIB | 36 | 27 | 34.5 | Full |

Double Door & Drawer With 1 Roll-Out Tray

- Roll-out tray features soft close, side mounted, ball bearing stainless steel drawer glides
- Roll-out tray is 6" high by 21 3/4" deep, and is constructed of 3/4" ClimateTough™ composite material construction, sides and bottom panel
- 3/4" ClimateTough™ composite material cabinet construction
- Fully integrated back panel
- Includes 4 'Sure Level' polymer legs, shipped loose for field installation and leveling
- Available in all door styles and finishes
- Stainless steel handles sold separately

34.5" High



| Item Number | Width | Depth | Height | Back |
|-------------|-------|-------|--------|------|
| B24IB-1T | 24 | 24 | 34.5 | Full |
| B2427IB-1T | 24 | 27 | 34.5 | Full |
| B27IB-1T | 27 | 24 | 34.5 | Full |
| B2727IB-1T | 27 | 27 | 34.5 | Full |
| B30IB-1T | 30 | 24 | 34.5 | Full |
| B3027IB-1T | 30 | 27 | 34.5 | Full |
| B33IB-1T | 33 | 24 | 34.5 | Full |
| B3327IB-1T | 33 | 27 | 34.5 | Full |
| B36IB-1T | 36 | 24 | 34.5 | Full |
| B3627IB-1T | 36 | 27 | 34.5 | Full |

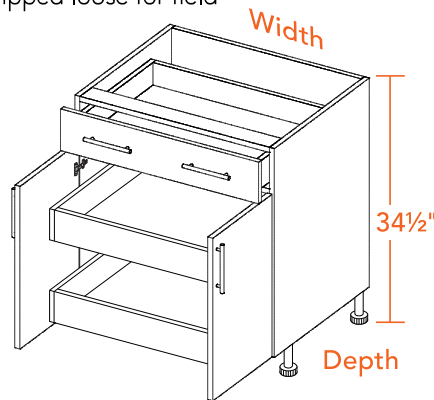
27" deep base cabinets have the same roll-out tray as the 24" deep cabinets

ISLAND BACK BASE CABINETS

Double Door & Drawer With 2 Roll-Out Trays

- Roll-out trays feature soft close, side mounted, ball bearing stainless steel drawer glides
- Roll-out tray is 6" high by 21 3/4" deep, and is constructed of 3/4" ClimateTough™ composite material construction, sides and bottom panel
- 3/4" ClimateTough™ composite material cabinet construction
- Fully integrated back panel
- Includes 4 'Sure Level' polymer legs, shipped loose for field installation and leveling
- Available in all door styles and finishes

34.5" High



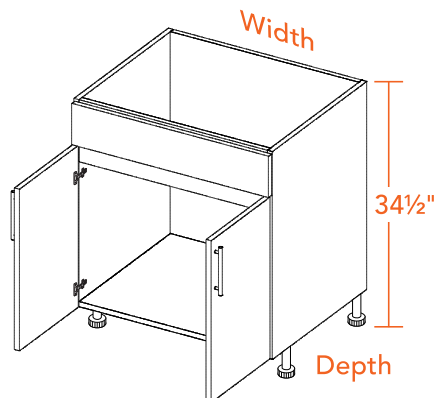
27" deep base cabinets have the same roll-out tray as the 24" deep cabinets

| Item Number | Width | Depth | Height | Back |
|-------------|-------|-------|--------|------|
| B241B-2T | 24 | 24 | 34.5 | Full |
| B24271B-2T | 24 | 27 | 34.5 | Full |
| B271B-2T | 27 | 24 | 34.5 | Full |
| B27271B-2T | 27 | 27 | 34.5 | Full |
| B301B-2T | 30 | 24 | 34.5 | Full |
| B30271B-2T | 30 | 27 | 34.5 | Full |
| B331B-2T | 33 | 24 | 34.5 | Full |
| B33271B-2T | 33 | 27 | 34.5 | Full |
| B361B-2T | 36 | 24 | 34.5 | Full |
| B36271B-2T | 36 | 27 | 34.5 | Full |

Double Door Sink Base

- 3/4" ClimateTough™ composite material cabinet construction
- False drawer front to accommodate sink
- No adjustable shelf
- Fully integrated back panel
- Includes 4 'Sure Level' polymer legs, shipped loose for field installation and leveling
- Available in all door styles and finishes
- Stainless steel handles sold separately

34.5" High



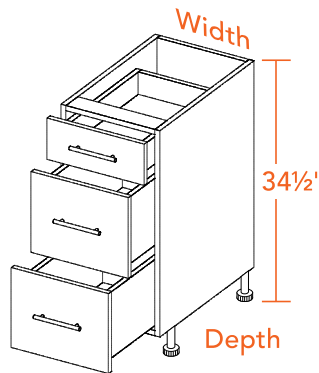
| Item Number | Width | Depth | Height | Back |
|-------------|-------|-------|--------|------|
| SB24181B | 24 | 18 | 34.5 | Full |
| SB24211B | 24 | 21 | 34.5 | Full |
| SB241B | 24 | 24 | 34.5 | Full |
| SB24271B | 24 | 27 | 34.5 | Full |
| SB27181B | 27 | 18 | 34.5 | Full |
| SB27211B | 27 | 21 | 34.5 | Full |
| SB271B | 27 | 24 | 34.5 | Full |
| SB27271B | 27 | 27 | 34.5 | Full |
| SB30181B | 30 | 18 | 34.5 | Full |
| SB30211B | 30 | 21 | 34.5 | Full |
| SB301B | 30 | 24 | 34.5 | Full |
| SB30271B | 30 | 27 | 34.5 | Full |
| SB33181B | 33 | 18 | 34.5 | Full |
| SB33211B | 33 | 21 | 34.5 | Full |
| SB331B | 33 | 24 | 34.5 | Full |
| SB33271B | 33 | 27 | 34.5 | Full |
| SB36181B | 36 | 18 | 34.5 | Full |
| SB36211B | 36 | 21 | 34.5 | Full |
| SB361B | 36 | 24 | 34.5 | Full |
| SB36271B | 36 | 27 | 34.5 | Full |

ISLAND BACK BASE CABINETS

| Island Back Drawer Base Cabinet Coding | | | | |
|--|---------------|-------|-------|-------------|
| B 3D 12 27 IB | | | | |
| B | 3D | 12 | 27 | IB |
| Cabinet Code | Three Drawers | Width | Depth | Island Back |

3 Drawer Base

- 3/4" ClimateTough™ composite material cabinet construction
- Top drawer front is 6" high
- Middle and bottom drawer fronts are 12" high
- Fully integrated back panel
- Includes 4 'Sure Level' polymer legs, shipped loose for field installation and leveling
- Available in all door styles and finishes

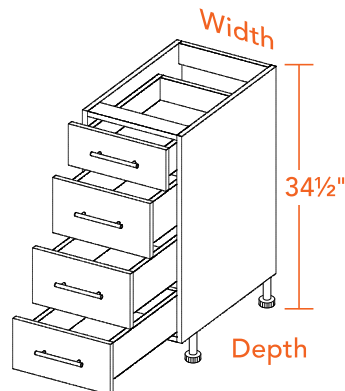


34.5" High

| Item Number | Width | Depth | Height | Back |
|-------------|-------|-------|--------|------|
| B3D12IB | 12 | 24 | 34.5 | Full |
| B3D1227IB | 12 | 27 | 34.5 | Full |
| B3D15IB | 15 | 24 | 34.5 | Full |
| B3D1527IB | 15 | 27 | 34.5 | Full |
| B3D18IB | 18 | 24 | 34.5 | Full |
| B3D1827IB | 18 | 27 | 34.5 | Full |
| B3D21IB | 21 | 24 | 34.5 | Full |
| B3D2127IB | 21 | 27 | 34.5 | Full |
| B3D24IB | 24 | 24 | 34.5 | Full |
| B3D2427IB | 24 | 27 | 34.5 | Full |

4 Drawer Base

- 3/4" ClimateTough™ composite material cabinet construction
- Top drawer front is 6" high
- Bottom three drawer fronts are 8" high
- Fully integrated back panel
- Includes 4 'Sure Level' polymer legs, shipped loose for field installation and leveling
- Available in all door styles and finishes
- Stainless steel handles sold separately



34.5" High

| Item Number | Width | Depth | Height | Back |
|-------------|-------|-------|--------|------|
| B4D12IB | 12 | 24 | 34.5 | Full |
| B4D1227IB | 12 | 27 | 34.5 | Full |
| B4D15IB | 15 | 24 | 34.5 | Full |
| B4D1527IB | 15 | 27 | 34.5 | Full |
| B4D18IB | 18 | 24 | 34.5 | Full |
| B4D1827IB | 18 | 27 | 34.5 | Full |
| B4D21IB | 21 | 24 | 34.5 | Full |
| B4D2127IB | 21 | 27 | 34.5 | Full |
| B4D24IB | 24 | 24 | 34.5 | Full |
| B4D2427IB | 24 | 27 | 34.5 | Full |

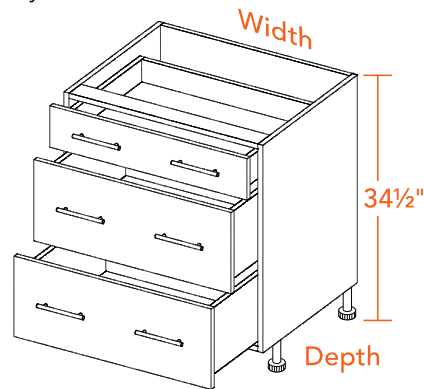
ISLAND BACK BASE CABINETS

Wide 3 Drawer Base

- 3/4" ClimateTough™ composite material cabinet construction
- Top drawer front is 6" high
- Middle and bottom drawer fronts are 12" high
- Fully integrated back panel
- Includes 4 'Sure Level' polymer legs, shipped loose for field installation and leveling
- Available in all door styles and finishes
- Stainless steel handles sold separately

34.5" High

| Item Number | Width | Depth | Height | Back |
|-------------|-------|-------|--------|------|
| B3D27IB | 27 | 24 | 34.5 | Full |
| B3D2727IB | 27 | 27 | 34.5 | Full |
| B3D30IB | 30 | 24 | 34.5 | Full |
| B3D3027IB | 30 | 27 | 34.5 | Full |
| B3D33IB | 33 | 24 | 34.5 | Full |
| B3D3327IB | 33 | 27 | 34.5 | Full |
| B3D36IB | 36 | 24 | 34.5 | Full |
| B3D3627IB | 36 | 27 | 34.5 | Full |

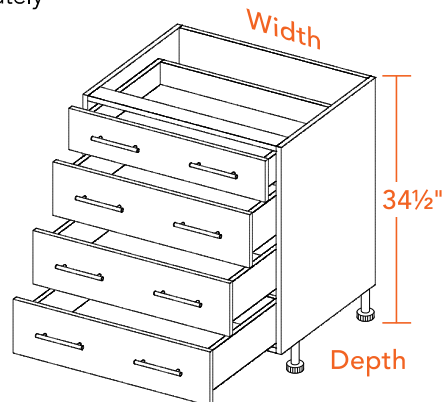


Wide 4 Drawer Base

- 3/4" ClimateTough™ composite material cabinet construction
- Top drawer front is 6" high
- Bottom three drawer fronts are 8" high
- Fully integrated back panel
- Includes 4 'Sure Level' polymer legs, shipped loose for field installation and leveling
- Available in all door styles and finishes
- Stainless steel handles sold separately

34.5" High

| Item Number | Width | Depth | Height | Back |
|-------------|-------|-------|--------|------|
| B4D27IB | 27 | 24 | 34.5 | Full |
| B4D2727IB | 27 | 27 | 34.5 | Full |
| B4D30IB | 30 | 24 | 34.5 | Full |
| B4D3027IB | 30 | 27 | 34.5 | Full |
| B4D33IB | 33 | 24 | 34.5 | Full |
| B4D3327IB | 33 | 27 | 34.5 | Full |
| B4D36IB | 36 | 24 | 34.5 | Full |
| B4D3627IB | 36 | 27 | 34.5 | Full |



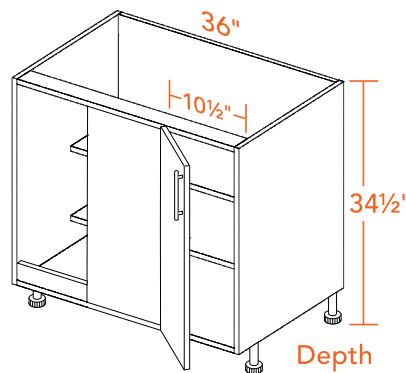
ISLAND BACK BASE CABINETS

Blind Base

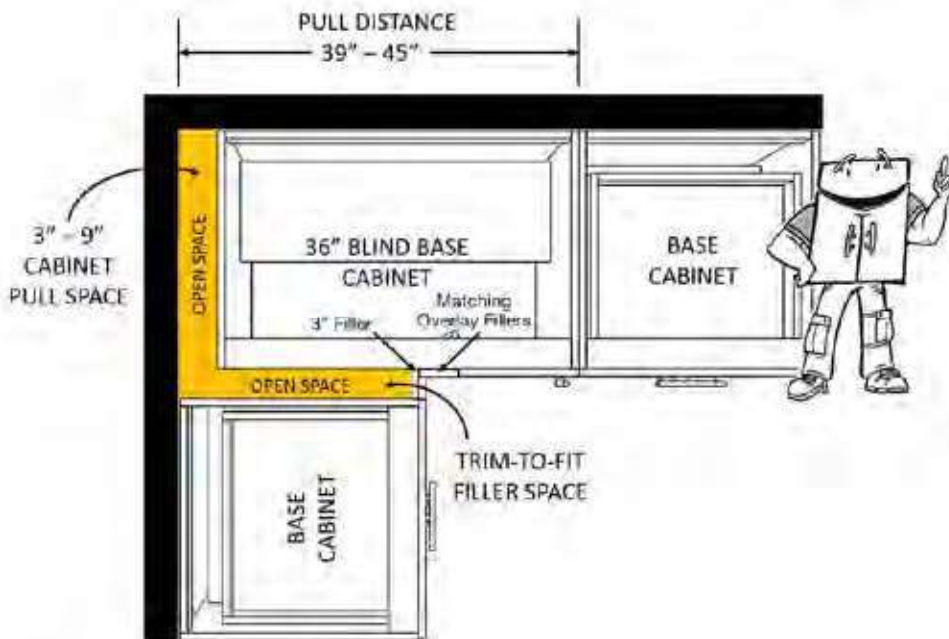
SPECIFY RIGHT or LEFT BLIND (left shown)

- Two reduced depth adjustable shelves
- 3" filler, 3" & 6" overlay fillers included
- 3/4" ClimateTough™ composite material cabinet construction
- Fully integrated back panel
- Includes 4 'Sure Level' polymer legs, shipped loose for field installation and leveling
- Available in all door styles and finishes
- Door width is 12", opening is 10"
- Stainless steel handles sold separately

| 34.5" High | Item Number | Width | Depth | Height | Back |
|------------|---------------|-------|-------|--------|------|
| | BBCU3918FHLIB | 36 | 18 | 34.5 | Full |
| | BBCU3918FHRIB | 36 | 18 | 34.5 | Full |
| | BBCU3921FHLIB | 36 | 21 | 34.5 | Full |
| | BBCU3921FHRIB | 36 | 21 | 34.5 | Full |
| | BBCU39FHLIB | 36 | 24 | 34.5 | Full |
| | BBCU39FHRIB | 36 | 24 | 34.5 | Full |
| | BBCU3927FHLIB | 36 | 27 | 34.5 | Full |
| | BBCU3927FHRIB | 36 | 27 | 34.5 | Full |



Blind Base Tip: The Blind Base cabinet is 36" wide. It must be installed from 3" to 9" away from the adjacent wall. This allows the door full clearance and provides a flexible installation range. From the adjacent wall to the far edge of the cabinet, a minimum width of 39" to a maximum width of 45" is required.



ISLAND BACK SIDE BURNER CABINETS

IMPORTANT INFORMATION

Side Burner base cabinets with a width of 15" to 24" include 4 ventilation outlets to allow the release of possible heat or gas buildup.

1 in the toe kick panel
1 in the base shelf
2 loose, to be used on the exterior of the base cabinet at the end of a cabinet run. Placement will be high or low depending on the type of gas (LP vs. NG)

Side Burner base cabinets with a width of 30" include 6 ventilation outlets to allow the release of possible heat or gas buildup.

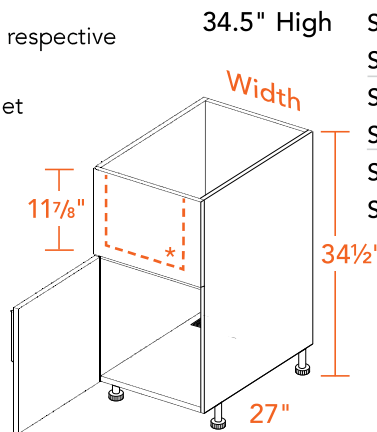
2 in the toe kick panel
2 in the base shelf
2 loose, to be used on the exterior of the base cabinet at the end of a cabinet run. Placement will be high or low depending on type of gas (LP vs. NG)

Please Note: Heat Liner must be used with all Side Burner and Grill Cabinets

Side Burner Single Door Base

- The face plate is modified in field to accept the respective heat liner used with the side burner
- 3/4" ClimateTough™ composite material cabinet construction
- Fully integrated back panel
- Includes 4 'Sure Level' polymer legs, shipped loose for field installation and leveling
- Available in all door styles and finishes
- Separate toe kick with vent included

Please Note: All built in side burners require an insulated jacket. Please consult your side burner manufacturer for the appropriate model.

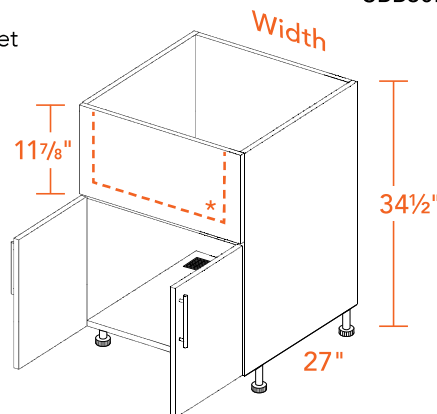


| Item Number | Width | Depth | Height | Back |
|-------------|-------|-------|--------|------|
| SBB15LIB | 15 | 27 | 34.5 | Full |
| SBB15RIB | 15 | 27 | 34.5 | Full |
| SBB18LIB | 18 | 27 | 34.5 | Full |
| SBB18RIB | 18 | 27 | 34.5 | Full |
| SBB21LIB | 21 | 27 | 34.5 | Full |
| SBB21RIB | 21 | 27 | 34.5 | Full |

Side Burner Double Door Base

- The face plate is modified in field to accept the respective heat liner used with the side burner
- 3/4" ClimateTough™ composite material cabinet construction
- Fully integrated back panel
- Includes 4 'Sure Level' polymer legs, shipped loose for field installation and leveling
- Available in all door styles and finishes
- Separate toe kick with vent included
- Stainless steel handles sold separately

Please Note: All built in side burners require an insulated jacket. Please consult your side burner manufacturer for the appropriate model.



| Item Number | Width | Depth | Height | Back |
|-------------|-------|-------|--------|------|
| SBB24IB | 24 | 27 | 34.5 | Full |
| SBB30IB | 30 | 27 | 34.5 | Full |

*Grill and side burner cabinets are manufactured with two full upper face plates that will need to be field modified to accept the respective heat liner used with the gas grill or side burner.

The second matching panel will be shipped loose for ease of modification and installation. It can be attached with stainless steel screws or a suitable construction grade adhesive. Under no circumstance should a grill or side burner be installed without the appropriate heat liner specified by the manufacturer of the appliance.



ISLAND BACK GRILL CABINETS

Grill Double Door Base

- The face plate is modified in field to accept t respective heat liner used with the gas grill
- 3/4" ClimateTough™ composite material cabinet construction
- Fully integrated back panel
- Includes 4 'Sure Level' polymer legs, shipped loose for field installation and leveling
- Available in all door styles and finishes
- Separate toe kick with vent included
- Stainless steel handles sold separately

34.5" High

| Item Number | Width | Depth | Height | Back |
|-------------|-------|-------|--------|------|
| GB361B | 36 | 27 | 34.5 | Full |
| GB421B | 42 | 27 | 34.5 | Full |

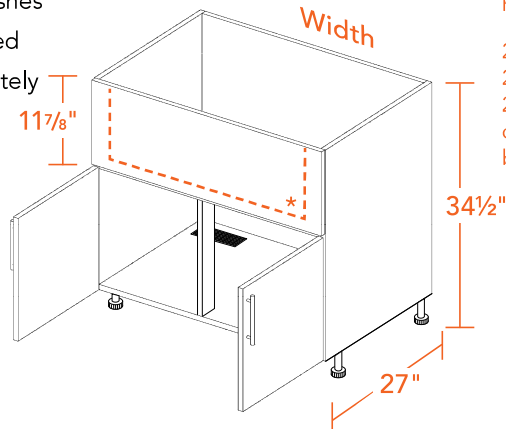
Please Note

All built in grill heads require an insulated jacket. Please consult your grill manufacturer for the appropriate model.

6 ventilation outlets included to allow the release of possible heat or gas build-up.

2 in the toe kick panel
2 in the base shelf

2 loose to be used on the exterior of the base cabinet at the end of a cabinet run. Placement will be high or low depending on type of gas (LP vs. NG)



Grill Three Door Base

- The face plate is modified in field to accept t respective heat liner used with the gas grill
- 3/4" ClimateTough™ composite material cabinet construction
- Fully integrated back panel
- Includes 4 'Sure Level' polymer legs, shipped loose for field installation and leveling
- Available in all door styles and finishes
- Separate toe kick with vent included
- Stainless steel handles sold separately

34.5" High

| Item Number | Width | Depth | Height | Back |
|-------------|-------|-------|--------|------|
| GB481B | 48 | 27 | 34.5 | Full |

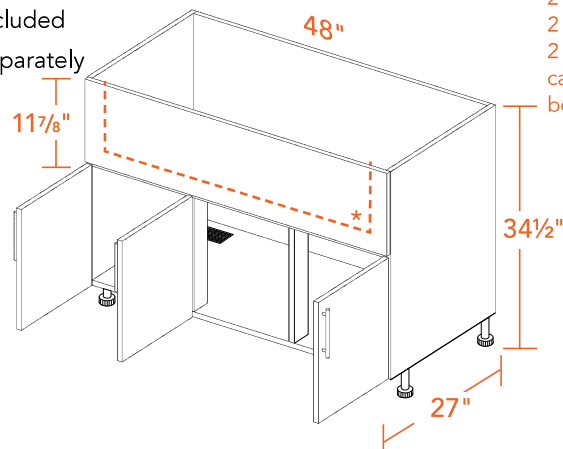
Please Note

All built in grill heads require an insulated jacket. Please consult your grill manufacturer for the appropriate model.

6 ventilation outlets included to allow the release of possible heat or gas build-up.

2 in the toe kick panel
2 in the base shelf

2 loose to be used on the exterior of the base cabinet at the end of a cabinet run. Placement will be high or low depending on type of gas (LP vs. NG)

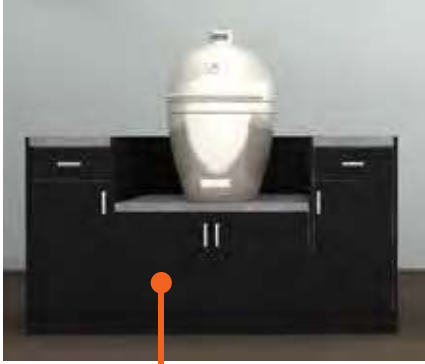


*Grill cabinets are manufactured with two full upper face plates that will need to be field modified to accept the heat liner used with the gas grill. The second matching panel will be shipped loose for ease of modification and installation. It can be attached with stainless steel screws or a suitable construction grade adhesive. Under no circumstance should a grill be installed without the appropriate heat liner specified by the manufacturer or warranty is invalid.

DESIGN TIPS – KAMADO STYLE GRILLS

Design Tips and Tricks: Kamado style grills

Kamado style grills come in various brands and sizes. With that in mind, here are a couple options to accommodate these grills. Please keep in mind that they are achieved through field modification and construction. Using a wall bridge cabinet (15" or 18" tall), some matching base ends and a pack of legs, you can achieve a solution for these types of grills.



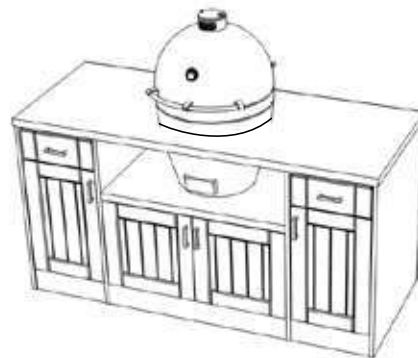
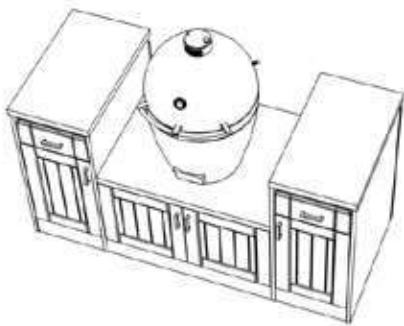
W361518OB pulled forward to meet 27" deep cabinets on each side. Depending on the height of your grill, you may need to use a 15" high.



W361518OB pulled forward to meet 24" deep cabinets on the right side. The panels on each side are cut to fit the height of the cabinets to create an open look.

Each of the above methods will require a support brace to be built, behind the wall cabinet, to support the rear of the countertop and the grill. This can be done using treated lumber secured to the wall, or to the floor. Be sure to reference the grill Manufacturer's recommendations for heat clearances around the grill.

If desired, the countertop can be installed around the grill (see below). However the homeowner or installer will need to review this with their countertop fabricator before the template



If there will be a wall, directly behind the Kamado grill, make sure to refer to the manufacturer's recommendations for clearances, to ensure that the lid can be opened.

OPEN BACK UTILITY CABINETS

| Open Back Utility Cabinet Coding | | | | |
|----------------------------------|-------|-------|--------|------------|
| U 18 18 84 L | | | | |
| U | 18 | 18 | 84 | L |
| Cabinet Code | Width | Depth | Height | Left Hinge |

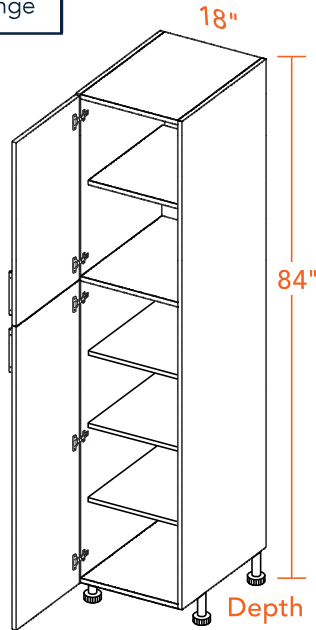
84" High

| Item Number | Width | Depth | Height | Back |
|-------------|-------|-------|--------|------|
| U181884L | 18 | 18 | 84 | Open |
| U181884R | 18 | 18 | 84 | Open |
| U182184L | 18 | 21 | 84 | Open |
| U182184R | 18 | 21 | 84 | Open |
| U1884L | 18 | 24 | 84 | Open |
| U1884R | 18 | 24 | 84 | Open |

Utility Cabinet

SPECIFY RIGHT or LEFT HINGED

- 4 full depth adjustable shelves
- 3/4" ClimateTough™ composite material cabinet construction
- No back panel, three 10" high mounting rails - top, middle, bottom
- Includes 4 'Sure Level' polymer legs, shipped loose for field installation and leveling
- Available in all door styles and finishes
- Stainless steel handles sold separately



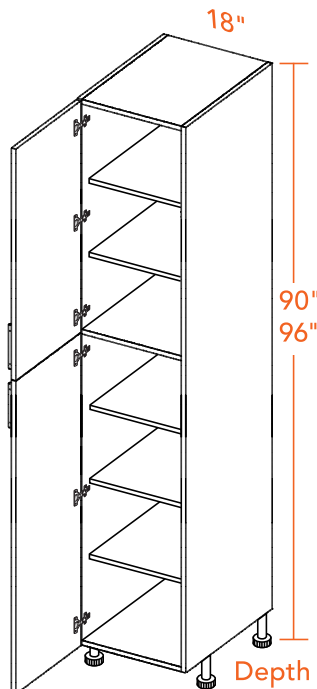
Utility Cabinet

SPECIFY RIGHT or LEFT HINGED

- 5 full depth adjustable shelves
- 3/4" ClimateTough™ composite material cabinet construction
- No back panel, three 10" high mounting rails - top, middle, bottom
- Includes 4 'Sure Level' polymer legs, shipped loose for field installation and leveling
- Available in all door styles and finishes
- Stainless steel handles sold separately

90" High

| Item Number | Width | Depth | Height | Back |
|-------------|-------|-------|--------|------|
| U181890L | 18 | 18 | 90 | Open |
| U181890R | 18 | 18 | 90 | Open |
| U182190L | 18 | 21 | 90 | Open |
| U182190R | 18 | 21 | 90 | Open |
| U1890L | 18 | 24 | 90 | Open |
| U1890R | 18 | 24 | 90 | Open |
| U181896L | 18 | 18 | 96 | Open |
| U181896R | 18 | 18 | 96 | Open |
| U182196L | 18 | 21 | 96 | Open |
| U182196R | 18 | 21 | 96 | Open |
| U1896L | 18 | 24 | 96 | Open |
| U1896R | 18 | 24 | 96 | Open |



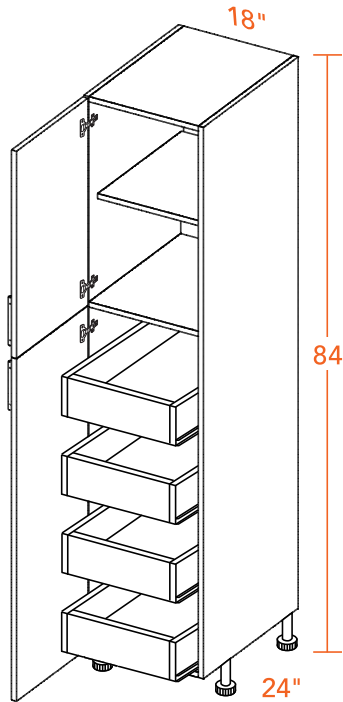
96" High

OPEN BACK UTILITY CABINETS

Utility Cabinet With 4 Roll-Out Trays

SPECIFY RIGHT or LEFT HINGED

- 1 full depth adjustable shelves and 4 roll-out trays
- Roll-out trays feature soft close, side mounted, ball bearing stainless steel drawer glides
- Roll-out Tray is 3/4" ClimateTough™ composite material construction, sides and bottom panel
- 3/4" ClimateTough™ composite material cabinet construction
- No back panel, three 10" high mounting rails - top, middle, bottom
- Includes 4 'Sure Level' polymer legs, shipped loose for field installation and leveling
- Available in all door styles and finishes
- Stainless steel handles sold separately

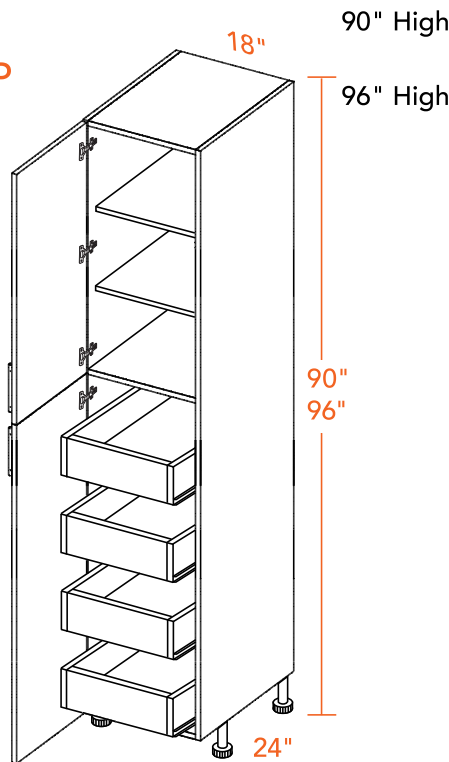


| Item Number | Width | Depth | Height | Back |
|-------------|-------|-------|--------|------|
| U1884L-4T | 18 | 24 | 84 | Open |
| U1884R-4T | 18 | 24 | 84 | Open |

Utility Cabinet With 4 Roll-Out Trays

SPECIFY RIGHT or LEFT HINGED

- 2 full depth adjustable shelves and 4 roll-out trays
- Roll-out trays feature soft close, side mounted, ball bearing stainless steel drawer glides
- Roll-out Tray is 3/4" ClimateTough™ composite material construction, sides and bottom panel
- 3/4" ClimateTough™ composite material cabinet construction
- No back panel, three 10" high mounting rails - top, middle, bottom
- Includes 4 'Sure Level' polymer legs, shipped loose for field installation and leveling
- Available in all door styles and finishes
- Stainless steel handles sold separately



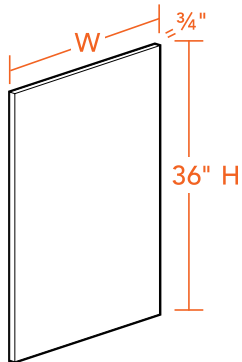
| Item Number | Width | Depth | Height | Back |
|-------------|-------|-------|--------|------|
| U1890L-4T | 18 | 24 | 90 | Open |
| U1890R-4T | 18 | 24 | 90 | Open |
| U1896L-4T | 18 | 24 | 96 | Open |
| U1896R-4T | 18 | 24 | 96 | Open |

MATCHING END PANELS AND DRAWER FRONTS

Matching Base End Panel

- Panels designed to be flush with door. Field trim for desired size.
- Use to cover cabinet sides that are exposed to sunlight and other weather elements.

BEP18
BEP21
BEP24
BEP27

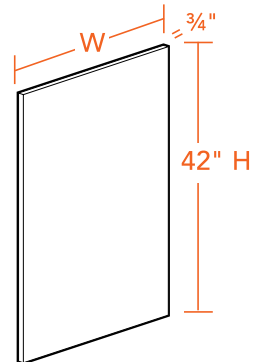


18 7/8" W, 21 7/8" W, 24 7/8" W, 27 7/8" W

Matching Base Tall End Panel

- Panels designed to be flush with door. Field trim for desired size.
- Use to cover cabinet sides that are exposed to sunlight and other weather elements.

BTP23
BTP26
BTP29
BTP32

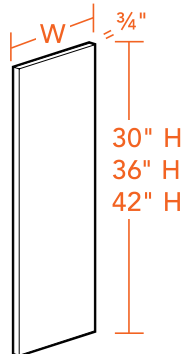


23 1/2" W, 26 1/2" W, 29 1/2" W, 32 1/2" W

Matching Wall End Panels

- Panels designed to be flush with door. Field trim for desired size.
- Use to cover cabinet sides that are exposed to sunlight and other weather elements.

WEP0930A
WEP0936A
WEP0942A
WEP1230A
WEP1236A
WEP1242A
WEP1530A
WEP1536A
WEP1542A

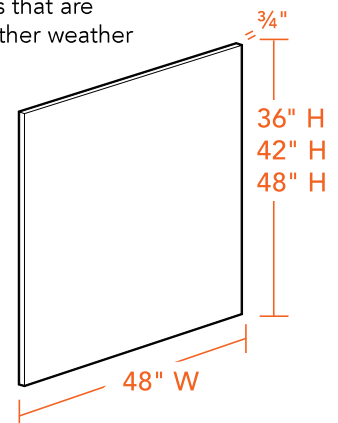


9 7/8" W, 12 7/8" W, 15 7/8" W

Island Panel

- Panels designed to be flush with door. Field trim for desired size.
- Use to cover cabinet backs that are exposed to sunlight and other weather elements.

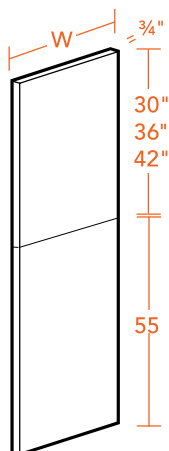
IPL4836
IPL4842
IPL4848



Matching Tall End Panels

- Panels designed to be flush with door. Field trim for desired size.
- Two separate panels included.
- Use to cover cabinet sides that are exposed to sunlight and other weather elements.

TEP1885
TEP1891
TEP1897
TEP2185
TEP2191
TEP2197
TEP2485
TEP2491
TEP2497



18 7/8", 21 7/8", 24 7/8"

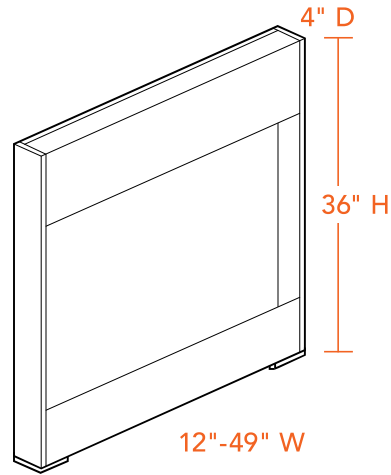
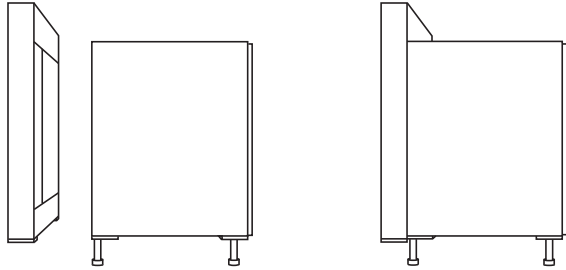
Replacement Grill Drawer Front

| Item Number | Description |
|-------------|--|
| RPGDF1512 | Replacement Grill Drawer Front 14.9X11.9 |
| RPGDF1812 | Replacement Grill Drawer Front 17.9X11.9 |
| RPGDF2112 | Replacement Grill Drawer Front 20.9X11.9 |
| RPGDF2412 | Replacement Grill Drawer Front 23.9X11.9 |
| RPGDF3012 | Replacement Grill Drawer Front 29.9X11.9 |
| RPGDF3612 | Replacement Grill Drawer Front 35.9X11.9 |
| RPGDF4212 | Replacement Grill Drawer Front 41.9X11.9 |
| RPGDF4812 | Replacement Grill Drawer Front 47.9X11.9 |

ACCESSORIES

Bar Riser Kits

- 3/4" ClimateTough™ composite material cabinet construction
- 4" deep by 36" high
- Requires BTP for field installation to match the cabinet doors
- Can be used with open back base cabinets only



- | | |
|--------------|--------------|
| BRK12 | BRK36 |
| BRK15 | BRK39 |
| BRK18 | BRK42 |
| BRK21 | BRK45 |
| BRK24 | BRK46 |
| BRK27 | BRK47 |
| BRK30 | BRK48 |
| BRK33 | BRK49 |

3" Wide Fillers

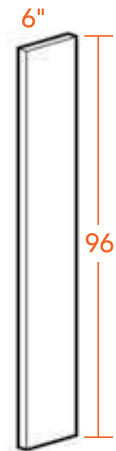
- Available in all finishes



- 30" Tall**
FS330A
- 36" Tall**
FS336A
- 42" Tall**
FS342A
- 84" Tall**
FS384A
- 90" Tall**
FS390A
- 96" Tall**
FS396A

6" Wide Filler/Toe Kick

- Available in all finishes

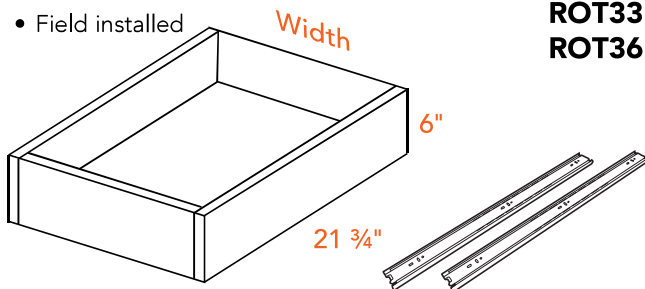


PLEASE NOTE
6"X96" FILLER CAN ALSO BE MODIFIED ON SITE TO BE USED AS A MATCHING TOE KICK ONCE CABINETS ARE INSTALLED ON LEGS

- 30" Tall**
FS630A
- 36" Tall**
FS636A
- 42" Tall**
FS642A
- 96" Tall**
FS696A

Roll-Out Tray Kits

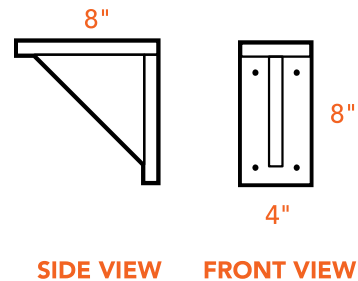
- 3/4" ClimateTough™ composite material construction, 4-sides and bottom panel
- Soft close, side mounted, ball bearing stainless steel runners and screws
- ROT12 fits 12" wide cabinet, etc.
- Field installed



- ROT12**
- ROT15**
- ROT18**
- ROT21**
- ROT24**
- ROT27**
- ROT30**
- ROT33**
- ROT36**

Corbel/Countertop Support

- Available in all finishes
- Requires stainless steel installation screws, sold separately



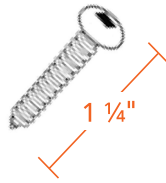
CBL8

ACCESSORIES

1 1/4" Stainless Steel Cabinet Joining Screws (30 Pack)

30 Pack
WSSS1.25-SCREW KIT

- Square Head Drill Bit included
- Used for joining cabinets together and for installing Matching Panels and Corbels

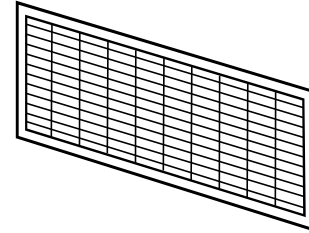


| CABINET TYPE | QTY. | LOCATION |
|-------------------|------|--------------------|
| Bases | 2 | Front Edge |
| Island Base | 4 | Front & Back Edges |
| Bar Base | 4 | Front & Back Edges |
| Walls up to 30" H | 2 | Front Edge |
| Walls 36 & 42" H | 3 | Front Edge |

9" Ventilation Grill

WS-VENT

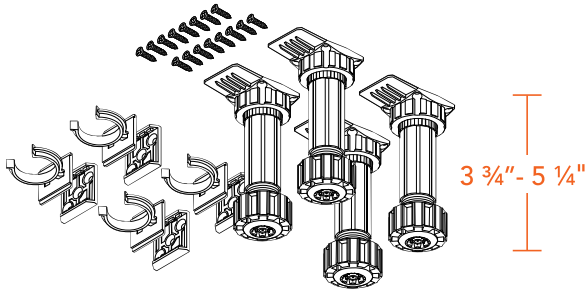
- Fits 8 5/8" x 2 3/8" ventilation hole
- Secure with suitable construction adhesive (not included)
- Supplied in White, Gray or Almond



Sure Level Legs (4 Pack)

WS-PLASTIC-LEGS

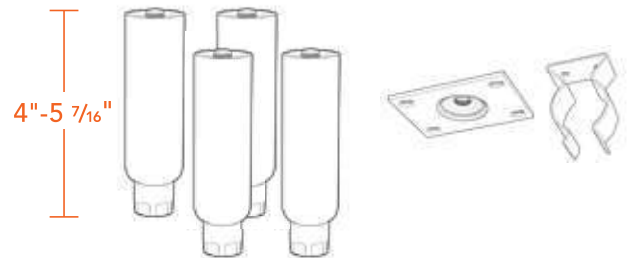
- Includes 4 adjustable legs, 4 mounting plates, 4 toe kick clips and stainless steel screws
- Height adjustment from 3 3/4" to 5 1/4"
- Each leg rated for 330lb static load



Stainless Steel Legs (4 Pack)

STAINLESS-LEGS-4PK

- Includes 4 stainless steel legs, 4 mounting plates, 4 toe kick clips and stainless steel screws
- Height adjustment from 4" to 5 7/16"
- Each leg rated for 2,000lb static load



MOST POPULAR

Full Height Single Door With Propane Pull-out



Featured
on pages
20 and 29

Full Height Single Door With Trashcan Pull-Out

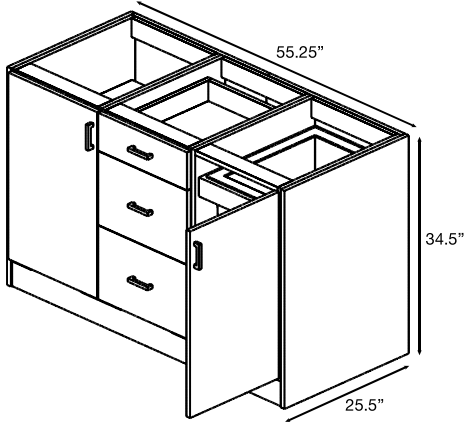


Featured
on pages
21 and 30

ENSEMBLES

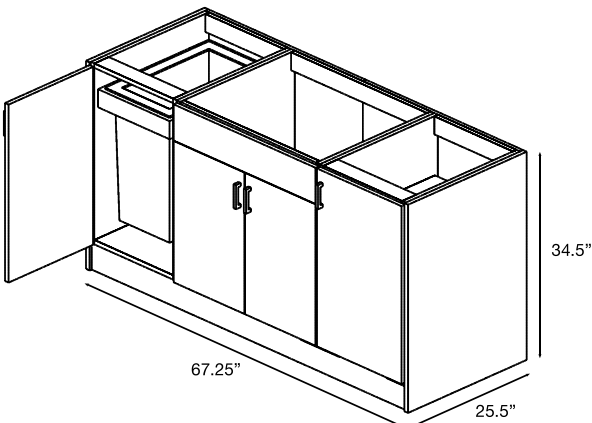
WSE54WC Freestanding Grill Island V2 with Trash

| Qty | Item Number | Description |
|-----|--------------------|---|
| 2 | BEP24 | 24-7/8" x 36" Base End Panel |
| 2 | BEP27 | 27-7/8" x 36" Base End Panel (for back) |
| 1 | B18FHLOB | 18" x 24" Open Back Base Full Hgt |
| 1 | B3D18OB | 18" x 24" 3-Drawer Open Back Base |
| 1 | B18FHROB-TC | 18" x 24" Open Bk Base Trash Pullout |
| 5 | DH-21021 | 7-9/32" Stainless Steel Euro Bar Pull |
| 1 | FS696A | 6" x 96" Toe Kick/Filler |
| 1 | WSSS1.25-Screw Kit | 1-1/4" Stainless Steel Screws - 30 Pk |



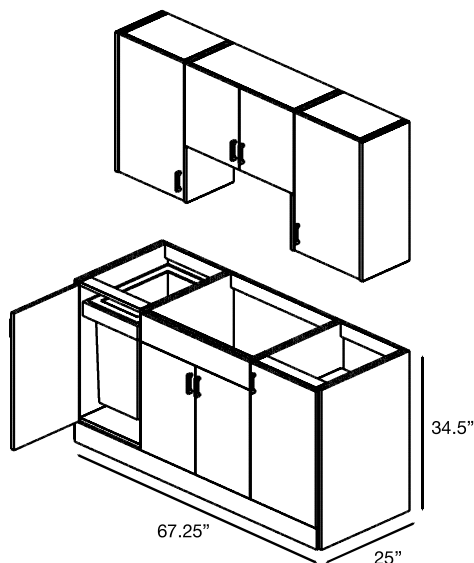
WSE66SB 66" Sink Island with Trash

| Qty | Item Number | Description |
|-----|--------------------|---------------------------------------|
| 2 | BEP24 | 24-7/8" x 36" Base End Panel |
| 2 | IPL4836 | 48" x 36" Island Panel (for back) |
| 1 | B18FHLOB-TC | 18" x 24" Open Bk Base Trash Pullout |
| 1 | SB30OB | 30" x 24" Open Back Sink Base |
| 1 | B18FHROB | 18" x 24" Open Back Base Full Hgt |
| 4 | DH-21021 | 7-9/32" Stainless Steel Euro Bar Pull |
| 1 | FS696A | 6" x 96" Toe Kick/Filler |
| 1 | WSSS1.25-Screw Kit | 1-1/4" Stainless Steel Screws - 30 Pk |



ENSEMBLES

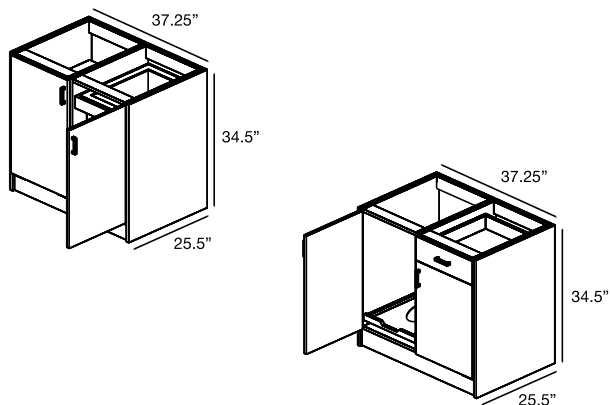
WSE66WMK 66" Unit with Sink Cab, Trash, & Wall Cabs



| Qty | Item Number | Description |
|-----|--------------------|---------------------------------------|
| 2 | BEP24 | 24-7/8" x 36" Base End Panel |
| 1 | B18FHLOB-TC | 18" x 24" Open Bk Base Trash Pullout |
| 1 | SB30OB | 30" x 24" Open Back Sink Base |
| 1 | B18FHROB | 18" x 24" Open Back Base Full Hgt |
| 4 | WEP1230A | 12-7/8" x 30" Wall End Panel |
| 1 | W1830LOB | 18" x 30" Open Back Wall |
| 1 | W3018OB | 30" x 18" Open Back Wall |
| 1 | W1830ROB | 18" x 30" Open Back Wall |
| 8 | DH-21021 | 7-9/32" Stainless Steel Euro Bar Pull |
| 1 | FS696A | 6" x 96" Toe Kick/Filler |
| 1 | WSSS1.25-Screw Kit | 1-1/4" Stainless Steel Screws - 30 Pk |



WSE72WC Freestanding Grill Island V1 with Trash



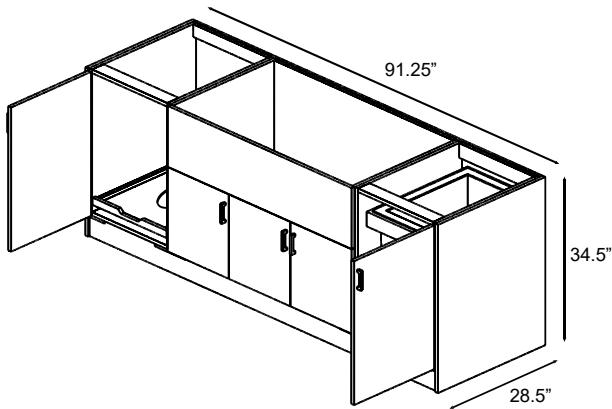
| Qty | Item Number | Description |
|-----|--------------------|---------------------------------------|
| 4 | BEP24 | 24-7/8" x 36" Base End Panel |
| 2 | IPL4836 | 48" x 36" Island Panel (for backs) |
| 1 | B18FHLOB | 18" x 24" Open Back Base Full Hgt |
| 1 | B18FHROB-TC | 18" x 24" Open Bk Base Trash Pullout |
| 1 | B18FHLOB-PP | 18" x 24" OB Base Propane Pullout |
| 1 | B18FHROB | 18" x 24" Open Back Base Full Hgt |
| 4 | DH-21021 | 7-9/32" Stainless Steel Euro Bar Pull |
| 1 | FS696A | 6" x 96" Toe Kick/Filler |
| 1 | WSSS1.25-Screw Kit | 1-1/4" Stainless Steel Screws - 30 Pk |



ENSEMBLES

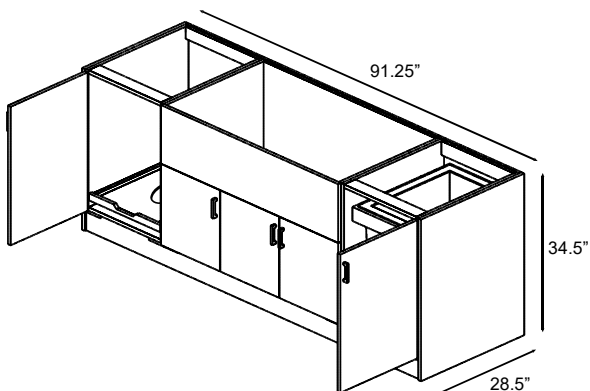
WSE90I 90" Island with Grill Cab & Accessory Cabs

| Qty | Item Number | Description |
|-----|--------------------|---------------------------------------|
| 1 | B2127FHLOB-PP | 21" x 27" OB Base Propane Pullout |
| 1 | GB48IB | 48" x 27" Island Back Grill Base |
| 1 | B2127FHROB-TC | 21" x 27" Open Bk Base Trash Pullout |
| 2 | BEP27 | 27-7/8" x 36" Base End Panel |
| 2 | IPL4836 | 48" x 36" Island Panel (for back) |
| 5 | DH-21021 | 7-9/32" Stainless Steel Euro Bar Pull |
| 1 | FS696A | 6" x 96" Toe Kick/Filler |
| 1 | WSSS1.25-Screw Kit | 1-1/4" Stainless Steel Screws - 30 Pk |



WSE90WM 90" with Grill Cab & Accessory Cabs

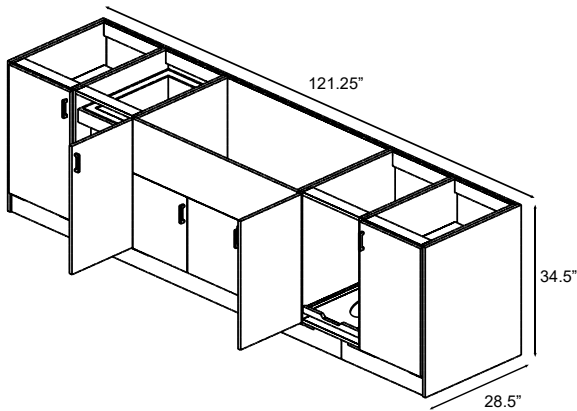
| Qty | Item Number | Description |
|-----|--------------------|---------------------------------------|
| 1 | B2127FHLOB-PP | 21" x 27" OB Base Propane Pullout |
| 1 | GB48IB | 48" x 27" Island Back Grill Base |
| 1 | B2127FHROB-TC | 21" x 27" Open Bk Base Trash Pullout |
| 2 | BEP27 | 27-7/8" x 36" Base End Panel |
| 5 | DH-21021 | 7-9/32" Stainless Steel Euro Bar Pull |
| 1 | FS696A | 6" x 96" Toe Kick/Filler |
| 1 | WSSS1.25-Screw Kit | 1-1/4" Stainless Steel Screws - 30 Pk |



ENSEMBLES

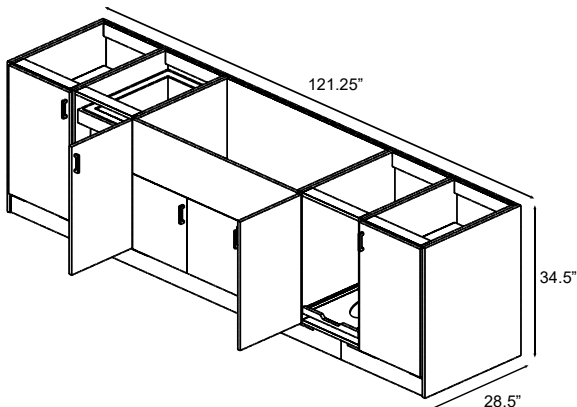
WSE120I 120" Island with Grill Cab & Accessory Cabs

| Qty | Item Number | Description |
|-----|--------------------|---------------------------------------|
| 2 | BEP27 | 24-7/8" x 36" Base End Panel |
| 3 | IPL4836 | 48" x 36" Island Panel (for back) |
| 1 | B1827FHLOB | 18" x 27" Open Back Base Full Hgt |
| 1 | B1827FHROB-TC | 18" x 27" Open Bk Base Trash Pullout |
| 1 | GB48IB | 48" x 27" Open Back Grill Base |
| 1 | B1827FHLOB-PP | 18" x 27" OB Base Propane Pullout |
| 1 | B1827FHROB | 18" x 27" Open Back Base Full Hgt |
| 7 | DH-21021 | 7-9/32" Stainless Steel Euro Bar Pull |
| 2 | FS696A | 6" x 96" Toe Kick/Filler |
| 1 | WSSS1.25-Screw Kit | 1-1/4" Stainless Steel Screws - 30 Pk |



WSE120WM 120" with Grill Cab & Accessory Cabs

| Qty | Item Number | Description |
|-----|--------------------|---------------------------------------|
| 2 | BEP27 | 24-7/8" x 36" Base End Panel |
| 1 | B1827FHLOB | 18" x 27" Open Back Base Full Hgt |
| 1 | B1827FHROB-TC | 18" x 27" Open Bk Base Trash Pullout |
| 1 | GB48IB | 48" x 27" Open Back Grill Base |
| 1 | B1827FHLOB-PP | 18" x 27" OB Base Propane Pullout |
| 1 | B1827FHROB | 18" x 27" Open Back Base Full Hgt |
| 7 | DH-21021 | 7-9/32" Stainless Steel Euro Bar Pull |
| 2 | FS696A | 6" x 96" Toe Kick/Filler |
| 1 | WSSS1.25-Screw Kit | 1-1/4" Stainless Steel Screws - 30 Pk |





Presents



Mad4Cabinetry.com

754.203.2010



LIFETIME
LIMITED
WARRANTY

