



White Shaker

White Shaker
Slab DF

Beige Shaker

Espresso Shaker



Raised Panel
White

Raised Panel
Off White

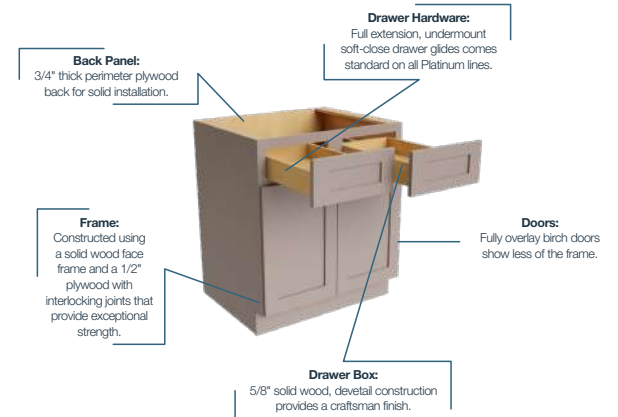
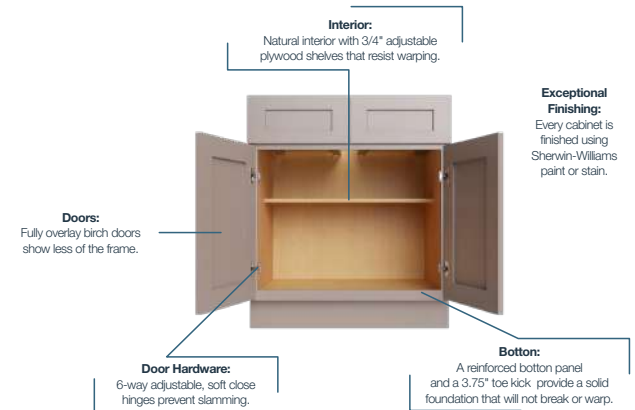
Raised Panel
Cream

White Step
Shaker

Grey Step
Shaker

Brown Step
Shaker

Framed Full Overlay RTA & FA

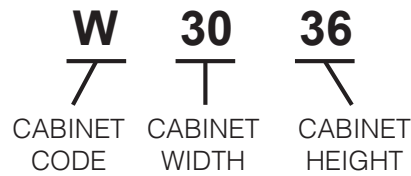


Presents

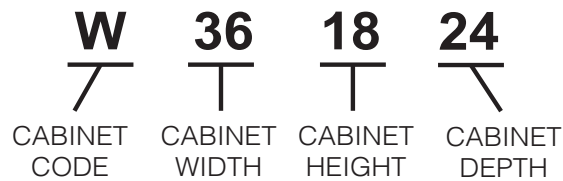
Made 4 U
— Platinum Series —

Wall Cabinet Coding

Standard (12" Deep)



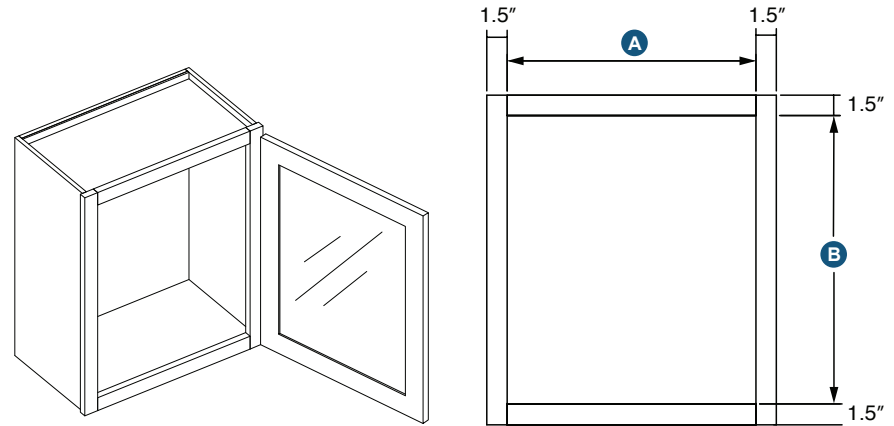
Refrigerator



Notes:

- Standard wall cabinets are 12" deep. Refrigerator cabinets are 24" deep.
- Add door thickness for total cabinet depth.
- Please refer to the Products by Cabinet Series chart to determine which products are carried for each cabinet line.

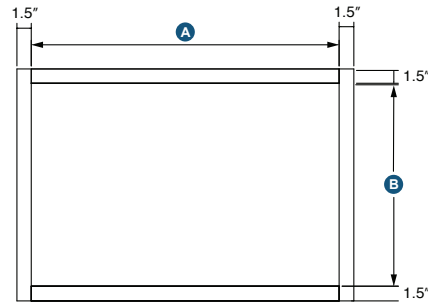
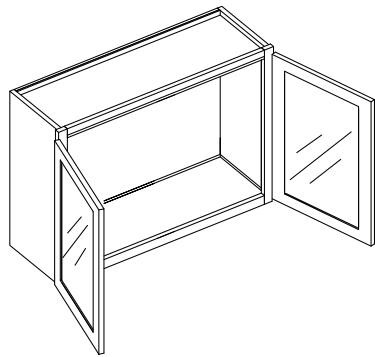
15" Wall Stacking Cabinets with Glass



| Item Code | Outer Dimensions | | | Opening Size | | Door Size | |
|-----------|------------------|-----|-----|--------------|-----|-----------|--------|
| | W | H | D | A | B | W | H |
| WS1215 | 12" | 15" | 12" | 9" | 12" | 11.5" | 13.75" |
| WS1515 | 15" | 15" | 12" | 12 | 12" | 14.5" | 13.75" |
| WS1815 | 18" | 15" | 12" | 15 | 12" | 17.5" | 13.75" |
| WS2115 | 21" | 15" | 12" | 18 | 12" | 20.5" | 13.75" |

*Door comes pre-routed with glass insert and finished interior

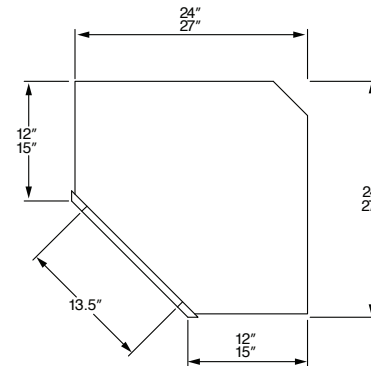
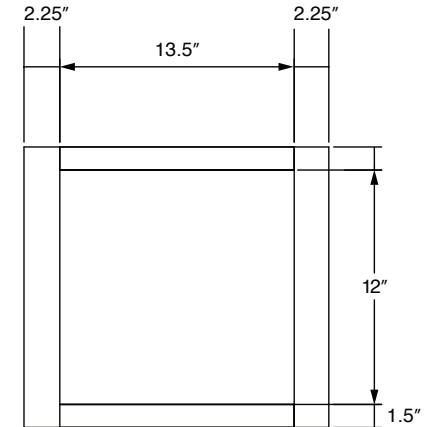
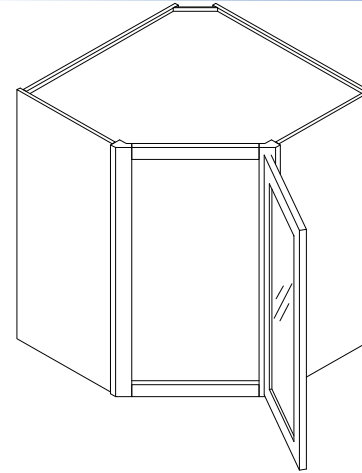
15" Wall Stacking Cabinets with Glass



| Item Code | Outer Dimensions | | | Opening Size | | Door Size (x2) | |
|-----------|------------------|-----|-----|--------------|-----|----------------|--------|
| | W | H | D | A | B | W | H |
| WS2415-2 | 24" | 15" | 12" | 21" | 12" | 11.6875" | 13.75" |
| WS2715-2 | 27" | 15" | 12" | 24" | 12" | 13.1875" | 13.75" |
| WS3015-2 | 30" | 15" | 12" | 27" | 12" | 14.6875" | 13.75" |
| WS3315-2 | 33" | 15" | 12" | 30" | 12" | 16.1875" | 13.75" |
| WS3615-2 | 36" | 15" | 12" | 33" | 12" | 17.6875" | 13.75" |

*Door comes pre-routed with glass insert and finished interior

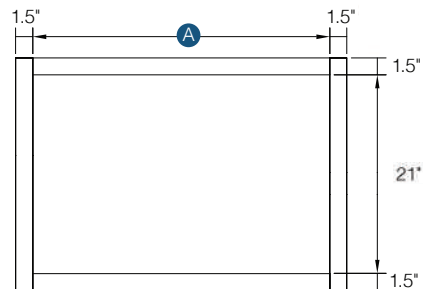
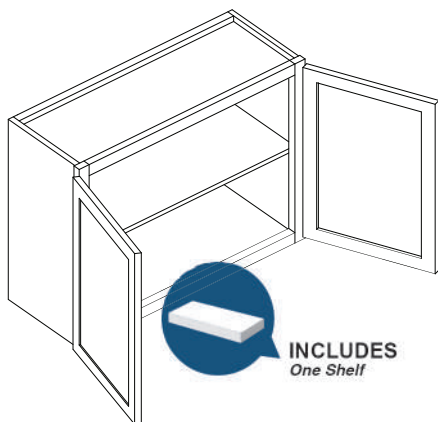
15" Corner Wall Stacking Cabinet with Glass



| Item Code | Outer Dimensions | | | Opening Size | | Door Size | |
|-----------|------------------|-----|-----|--------------|-----|-----------|--------|
| | W | H | D | W | H | W | H |
| CWS2415 | 24" | 15" | 12" | 13.5" | 12" | 14.5" | 13.75" |
| CWS2715 | 27" | 15" | 12" | 13.5" | 12" | 14.5" | 13.75" |

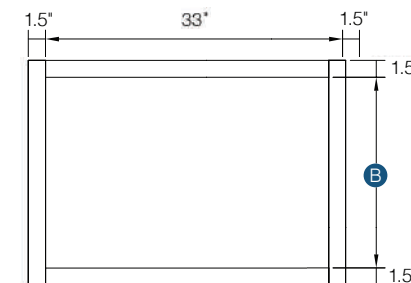
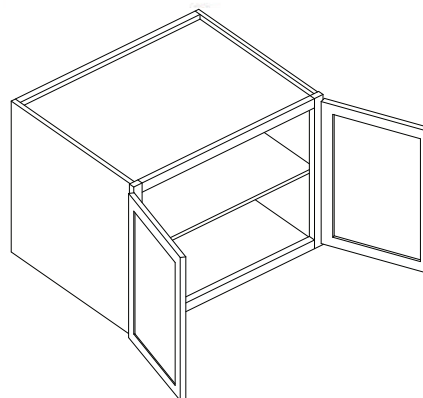
*Door comes pre-routed with glass insert and finished interior

24" High Double Door Wall



| Item Code | Outer Dimensions | | | Opening Size | | Door Size (x2) | |
|-----------|------------------|-----|-----|--------------|-----|----------------|--------|
| | W | H | D | A | H | W | H |
| W3024 | 30" | 24" | 12" | 27" | 21" | 14.6875" | 22.75" |
| W3324 | 33" | 24" | 12" | 30" | 21" | 16.1875" | 22.75" |
| W3624 | 36" | 24" | 12" | 33" | 21" | 17.6875" | 22.75" |

24" Deep Wall (Refrigerator Cabinet)

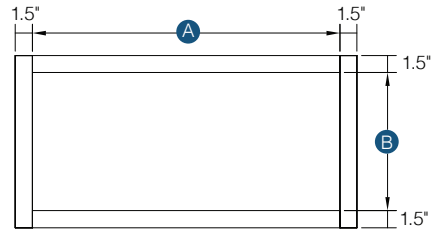
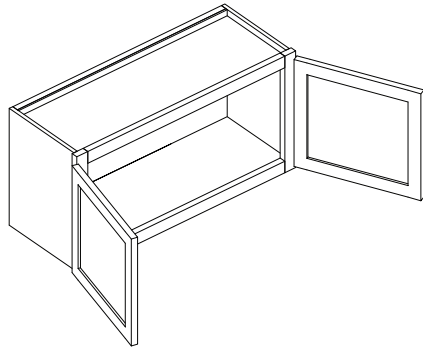


| Item Code | Outer Dimensions | | | Opening Size | | Door Size (x2) | |
|-----------|------------------|-----|-----|--------------|-----|----------------|--------|
| | W | H | D | A | B | W | H |
| W331824* | 33" | 18" | 24" | 30" | 15" | 17.6875" | 16.75" |
| W332424** | 33" | 24" | 24" | 30" | 21" | 17.6875" | 16.75" |
| W361824* | 36" | 18" | 24" | 33" | 15" | 17.6875" | 22.75" |
| W362424** | 36" | 24" | 24" | 33" | 21" | 17.6875" | 22.75" |

*W361824 No shelf included

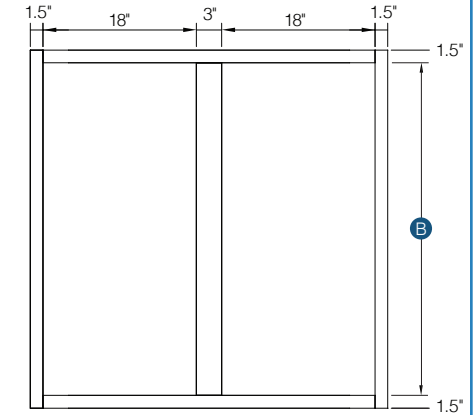
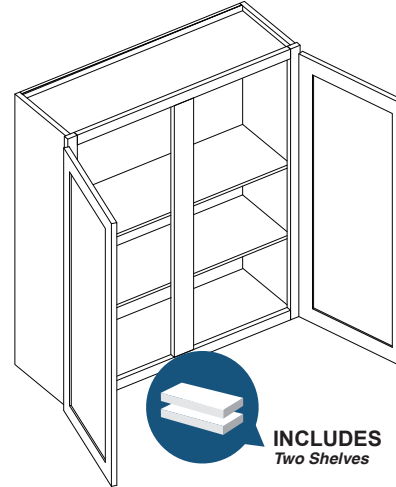
**W362424 Includes 1 shelf

12" - 21" High Double Door Wall



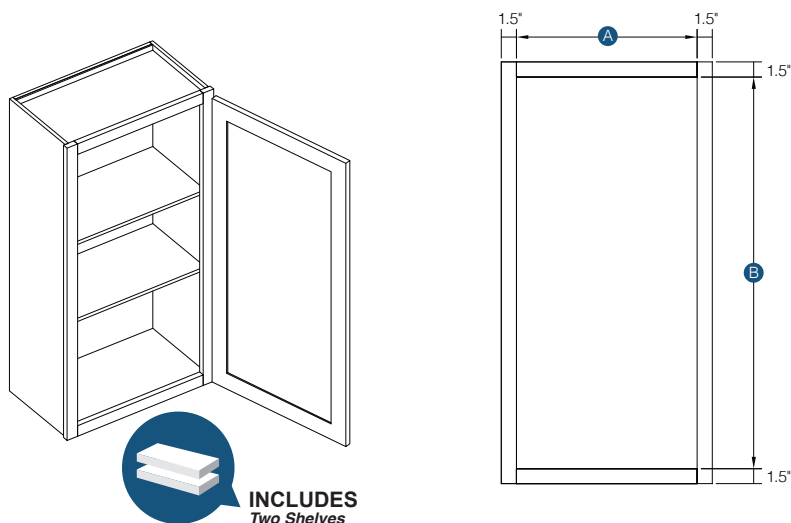
| Item Code | Outer Dimensions | | | Opening Size | | Door Size (x2) | |
|-----------|------------------|-----|-----|--------------|-----|----------------|--------|
| | W | H | D | A | B | W | H |
| W3012 | 30" | 12" | 12" | 27" | 9" | 14.6875" | 10.75" |
| W3312 | 33" | 12" | 12" | 30" | 9" | 16.1875" | 10.75" |
| W3612 | 36" | 12" | 12" | 33" | 12" | 17.6875" | 13.75" |
| W3015 | 30" | 15" | 12" | 27" | 12" | 14.6875" | 13.75" |
| W3315 | 33" | 15" | 12" | 30" | 12" | 16.1875" | 13.75" |
| W3615 | 36" | 15" | 12" | 33" | 12" | 17.6875" | 13.75" |
| W3018 | 30" | 18" | 12" | 27" | 15" | 14.6875" | 16.75" |
| W3318 | 33" | 18" | 12" | 30" | 15" | 16.1875" | 16.75" |
| W3618 | 36" | 18" | 12" | 33" | 15" | 17.6875" | 16.75" |
| W3021 | 30" | 21" | 12" | 27" | 18" | 14.6875" | 19.75" |

30" - 36" High Double Door Wall with Center Stile



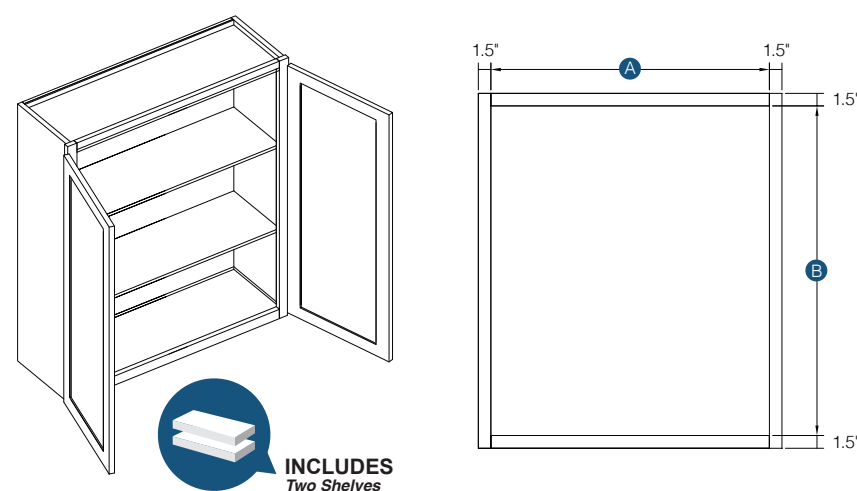
| Item Code | Outer Dimensions | | | Opening Size | | Door Size (x2) | |
|-----------|------------------|-----|-----|--------------|-----|----------------|--------|
| | W | H | D | W | B | W | H |
| W4230 | 42" | 30" | 12" | 18" | 27" | 20.5" | 28.75" |
| W4236 | 42" | 36" | 12" | 18" | 33" | 20.5" | 34.75" |

30" - 36" High Single Door Wall



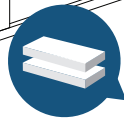
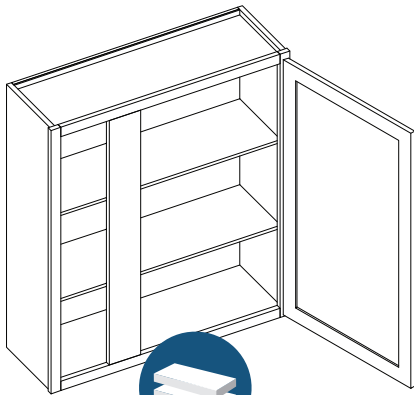
| Item Code | Outer Dimensions | | | Opening Size | | Door Size | |
|-----------|------------------|----|----|--------------|-----|-----------|--------|
| | W | H | D | A | H | W | H |
| W930 | 9 | 30 | 12 | 6" | 27" | 8.5" | 28.75" |
| W1230 | 12 | 30 | 12 | 9" | 27" | 11.5" | 28.75" |
| W1530 | 15 | 30 | 12 | 12" | 27" | 14.5" | 28.75" |
| W1830 | 18 | 30 | 12 | 15" | 27" | 17.5" | 28.75" |
| W2130 | 21 | 30 | 12 | 18" | 27" | 20.5" | 28.75" |
| W936 | 9 | 36 | 12 | 6" | 33" | 8.5" | 34.75" |
| W1236 | 12 | 36 | 12 | 9" | 33" | 11.5" | 34.75" |
| W1536 | 15 | 36 | 12 | 12" | 33" | 14.5" | 34.75" |
| W1836 | 18 | 36 | 12 | 15" | 33" | 17.5" | 34.75" |
| W2136 | 21 | 36 | 12 | 18" | 33" | 20.5" | 34.75" |

30" - 36" High Double Door Wall

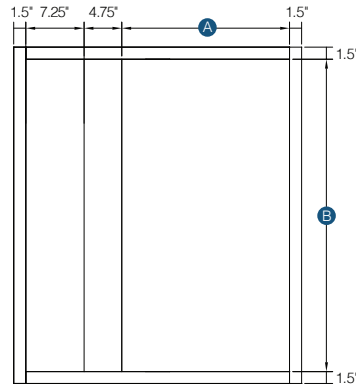


| Item Code | Outer Dimensions | | | Opening Size | | Door Size (x2) | |
|-----------|------------------|-----|-----|--------------|-----|----------------|--------|
| | W | H | D | A | B | W | H |
| W2430-2 | 24" | 30" | 12" | 21" | 27" | 11.6875" | 28.75" |
| W2730 | 27" | 30" | 12" | 24" | 27" | 13.1875" | 28.75" |
| W3030 | 30" | 30" | 12" | 27" | 27" | 14.6875" | 28.75" |
| W3330 | 33" | 30" | 12" | 30" | 27" | 16.1875" | 28.75" |
| W3630 | 36" | 30" | 12" | 33" | 27" | 17.6875" | 28.75" |
| W3930 | 39" | 30" | 12" | 36" | 27" | 19.1875" | 28.75" |
| W2436-2 | 24" | 36" | 12" | 21" | 33" | 11.6875" | 34.75" |
| W2736 | 27" | 36" | 12" | 24" | 33" | 13.1875" | 34.75" |
| W3036 | 30" | 36" | 12" | 27" | 33" | 14.6875" | 34.75" |
| W3336 | 33" | 36" | 12" | 30" | 33" | 16.1875" | 34.75" |
| W3636 | 36" | 36" | 12" | 33" | 33" | 17.6875" | 34.75" |
| W3936 | 39" | 36" | 12" | 36" | 33" | 19.1875" | 34.75" |

30" - 36" High Blind Wall



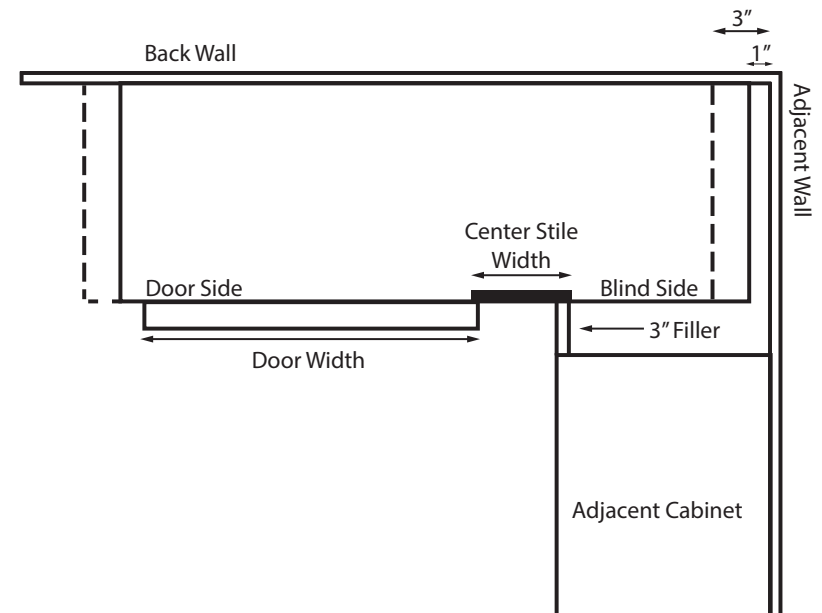
INCLUDES
Two Shelves



| Item Code | Outer Dimensions | | | Opening Size | | Door Size | |
|-----------|------------------|-----|-----|--------------|-----|-----------|--------|
| | W | H | D | A | B | W | H |
| BW2430 | 24" | 30" | 12" | 9" | 27" | 11.5" | 28.75" |
| BW3030 | 30" | 30" | 12" | 15" | 27" | 17.5" | 28.75" |
| BW3630 | 36" | 30" | 12" | 21" | 27" | 23.5" | 28.75" |
| BW2436 | 24" | 36" | 12" | 9" | 33" | 11.5" | 34.75" |
| BW3036 | 30" | 36" | 12" | 15" | 33" | 17.5" | 34.75" |
| BW3636 | 36" | 36" | 12" | 21" | 33" | 23.5" | 34.75" |

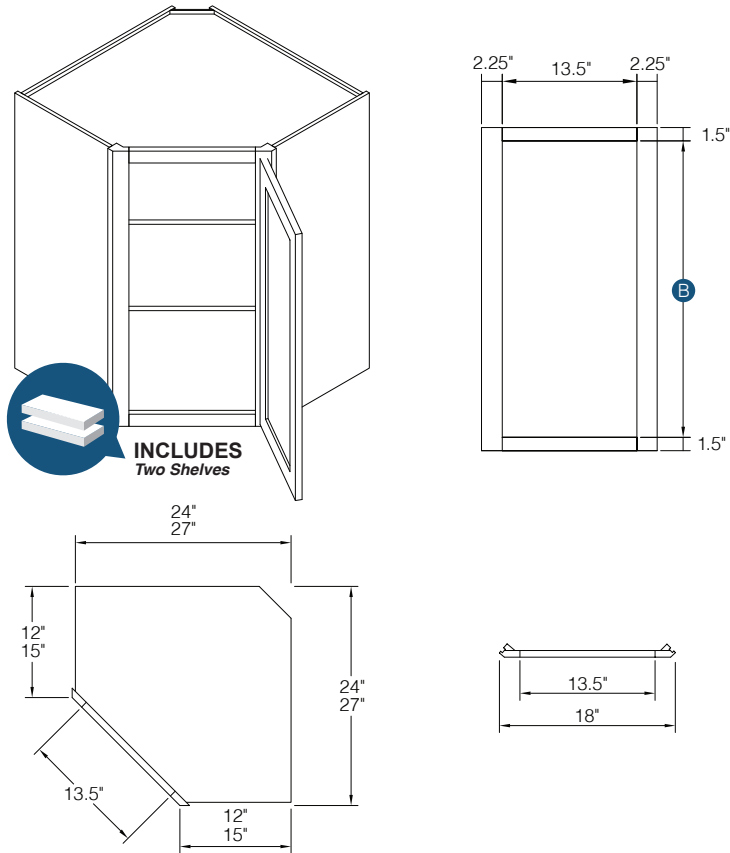
Installing a Blind Wall Cabinet

Proper installation ensures that the doors will open and show correct reveal



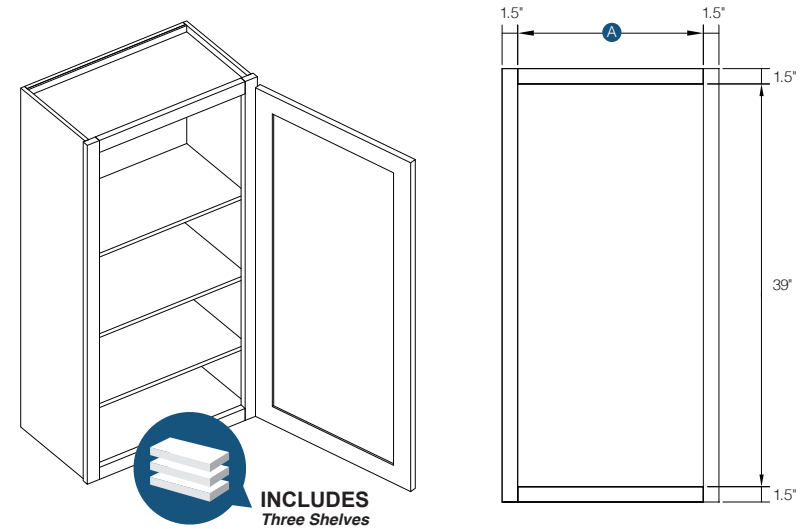
- Choose the blind side and assemble accordingly
- Place cabinet against the back wall and position the blind side 1"-3" away from the adjacent wall
- Place at least a 3" filler next to the adjacent cabinet
(filler is not included)

30" - 36" High Corner Wall



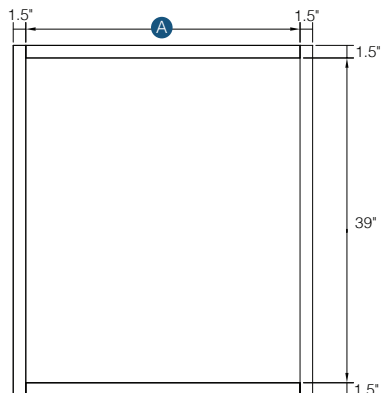
| Item Code | Outer Dimensions | | | Opening Size | | Door Size | |
|-----------|------------------|-----|-----|--------------|-----|-----------|--------|
| | W | H | D | W | B | W | H |
| CW2430 | 24" | 30" | 12" | 13.5" | 27" | 14.5" | 28.75" |
| CW2436 | 24" | 36" | 12" | 13.5" | 33" | 14.5" | 34.75" |
| CW2736 | 27" | 36" | 15" | 13.5" | 33" | 14.5" | 34.75" |

42" High Single Door Wall

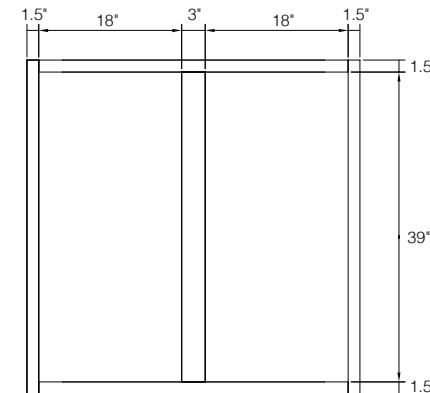


| Item Code | Outer Dimensions | | | Opening Size | | Door Size | |
|-----------|------------------|-----|-----|--------------|-----|-----------|--------|
| | W | H | D | A | H | W | H |
| W942 | 9" | 42" | 12" | 6" | 39" | 8.5" | 40.75" |
| W1242 | 12" | 42" | 12" | 9" | 39" | 11.5" | 40.75" |
| W1542 | 15" | 42" | 12" | 12" | 39" | 14.5" | 40.75" |
| W1842 | 18" | 42" | 12" | 15" | 39" | 17.5" | 40.75" |
| W2142 | 21" | 42" | 12" | 18" | 39" | 20.5" | 40.75" |

42" High Double Door Wall



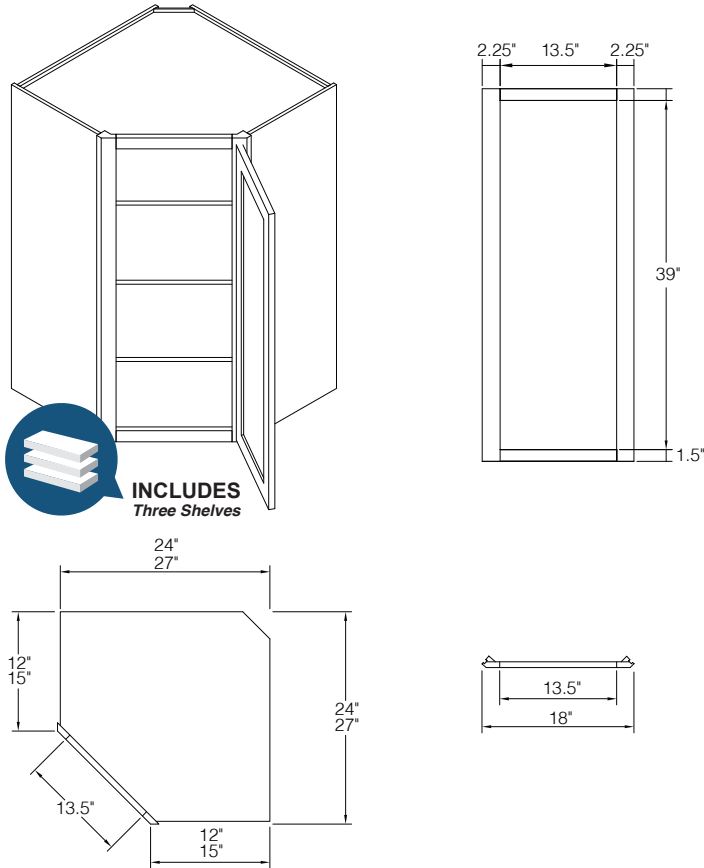
42" High Double Door Wall with Center Stile



| Item Code | Outer Dimensions | | | Opening Size | | Door Size (x2) | |
|-----------|------------------|-----|-----|--------------|-----|----------------|--------|
| | W | H | D | A | H | W | H |
| W2442-2 | 24" | 42" | 12" | 21" | 39" | 11.6875" | 40.75" |
| W2742 | 27" | 42" | 12" | 24" | 39" | 13.1875" | 40.75" |
| W3042 | 30" | 42" | 12" | 27" | 39" | 14.6875" | 40.75" |
| W3342 | 33" | 42" | 12" | 30" | 39" | 16.1875" | 40.75" |
| W3642 | 36" | 42" | 12" | 33" | 39" | 17.6875" | 40.75" |
| W3942 | 39" | 42" | 12" | 36" | 39" | 19.1875" | 40.75" |

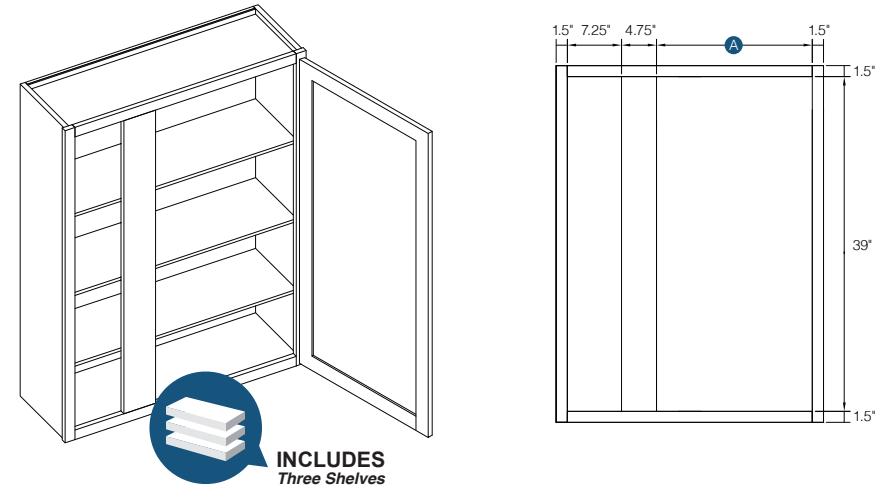
| Item Code | Outer Dimensions | | | Opening Size | | Door Size (x2) | |
|-----------|------------------|-----|-----|--------------|-----|----------------|--------|
| | W | H | D | W | H | W | H |
| W4242 | 42" | 42" | 12" | 18" | 39" | 20.5" | 40.75" |

42" High Corner Wall



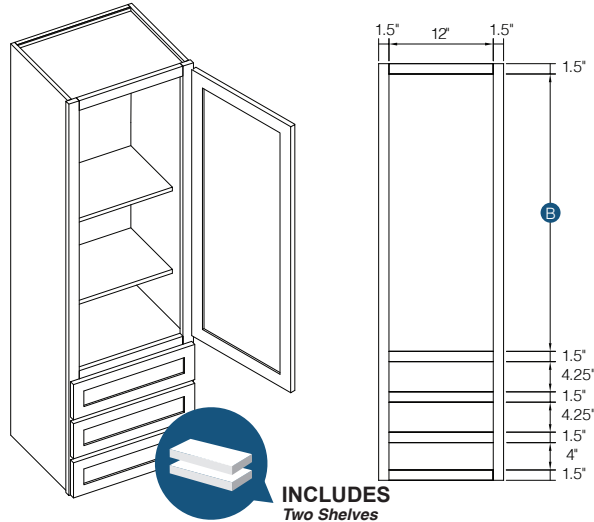
| Item Code | Outer Dimensions | | | Opening Size | | Door Size | |
|-----------|------------------|-----|-----|--------------|-----|-----------|--------|
| | W | H | D | W | H | W | H |
| CW2442 | 24" | 42" | 12" | 13.5" | 39" | 14.5" | 40.75" |
| CW2742 | 27" | 42" | 15" | 13.5" | 39" | 14.5" | 40.75" |

42" High Blind Wall



| Item Code | Outer Dimensions | | | Opening Size | | Door Size | |
|-----------|------------------|-----|-----|--------------|-----|-----------|--------|
| | W | H | D | A | H | W | H |
| BW3042 | 30" | 42" | 12" | 15" | 39" | 17.5" | 40.75" |

Wall Tower with 3 Drawers



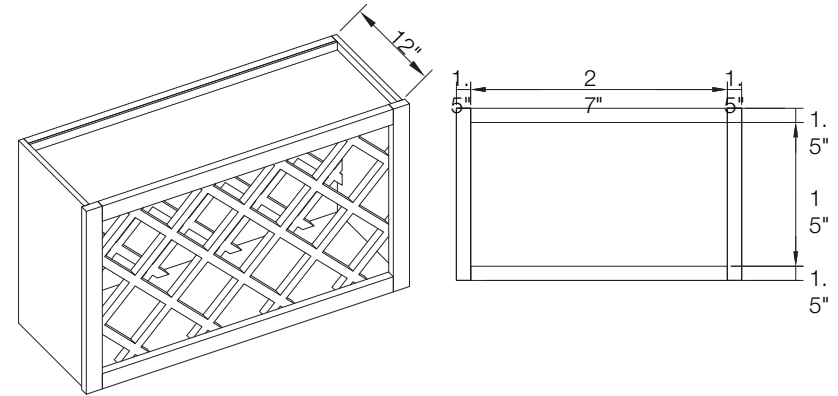
| Item Code | Outer Dimensions | | | Door Opening | | Door Size | |
|-----------|------------------|-----|-----|--------------|-----|-----------|--------|
| | W | H | D | W | B | W | H |
| DWR1548 | 15" | 48" | 15" | 12" | 28" | 14.5" | 28.75" |
| DWR1554 | 15" | 54" | 15" | 12" | 34" | 14.5" | 34.75" |
| DWR1560* | 15" | 60" | 15" | 12" | 40" | 14.5" | 40.75" |

| Item Code | Top/Middle Opening | | Top/Middle Drawer Front Size | |
|-----------|--------------------|-------|------------------------------|------|
| | W | H | W | H |
| DWR1548 | 12" | 4.25" | 14.5" | 5.5" |
| DWR1554 | 12" | 4.25" | 14.5" | 5.5" |
| DWR1560 | 12" | 4.25" | 14.5" | 5.5" |

| Item Code | Bottom Opening | | Bottom Drawer Front Size | |
|-----------|----------------|----|--------------------------|------|
| | W | H | W | H |
| DWR1548 | 12" | 4" | 14.5" | 5.5" |
| DWR1554 | 12" | 4" | 14.5" | 5.5" |
| DWR1560 | 12" | 4" | 14.5" | 5.5" |

*DWR1560 - Includes 3 shelves

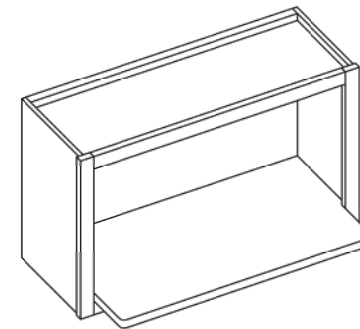
Wine Rack



| Item Code | Outer Dimensions | | | Opening Size | |
|-----------|------------------|-----|-----|--------------|-----|
| | W | H | D | W | H |
| WR3018 | 30" | 18" | 12" | 27" | 15" |

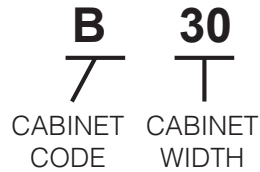
Can be installed vertically or horizontally
Wine Rack holds 11 standard wine bottles

Microwave Wall Cabinet



| Item Code | Outer Dimensions | | | Opening Size | |
|-----------|------------------|-----|-----|--------------|-----|
| | W | H | D | W | H |
| MWC3018 | 30" | 18" | 12" | 27" | 15" |

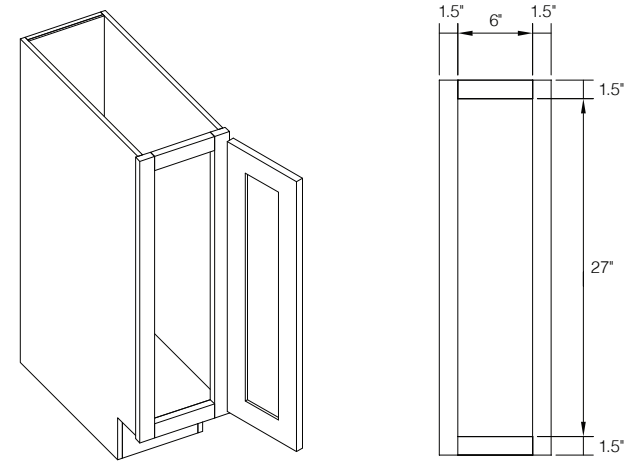
Base Cabinet Coding



Notes:

- Standard base cabinets are 24" deep and 34.5" high.
- Add door thickness for total cabinet depth.
- Please refer to the Products by Cabinet Line chart to determine which products are carried for each cabinet line.

Single Door Full Height Base



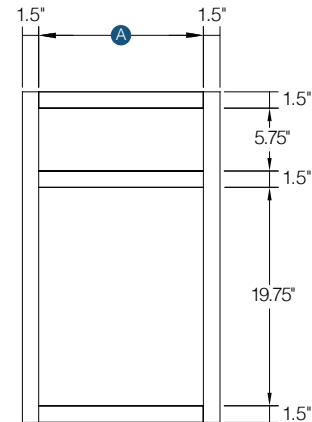
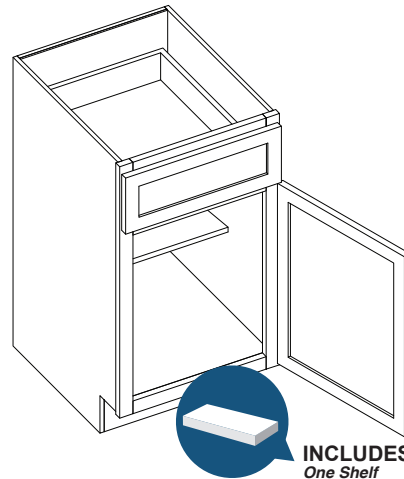
| Item Code | Outer Dimensions | | | Opening Size | | Door Size | |
|-----------|------------------|-------|-----|--------------|-----|-----------|--------|
| | W | H | D | W | H | W | H |
| B09 | 9" | 34.5" | 24" | 6" | 27" | 8.5" | 28.75" |

Single Door Full Height Base

Value Series

| Item Code | Outer Dimensions | | | Opening Size | | Door Size | |
|-----------|------------------|-------|-----|--------------|-----|-----------|-------|
| | W | H | D | W | H | W | H |
| B09 | 9" | 34.5" | 24" | 6" | 27" | 8.625" | 28.5" |

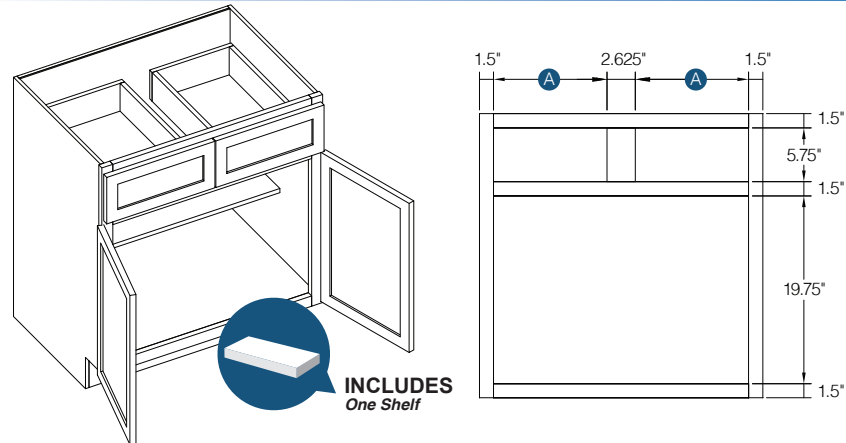
Single Door Standard Base



| Item Code | Outer Dimensions | | | Drawer Opening | | Door Opening | |
|-----------|------------------|-------|-----|----------------|-------|--------------|--------|
| | W | H | D | A | H | A | H |
| B12 | 12" | 34.5" | 24" | 9" | 5.75" | 9" | 19.75" |
| B15 | 15" | 34.5" | 24" | 12" | 5.75" | 12" | 19.75" |
| B18 | 18" | 34.5" | 24" | 15" | 5.75" | 15" | 19.75" |
| B21 | 21" | 34.5" | 24" | 18" | 5.75" | 18" | 19.75" |
| B24-1 | 24" | 34.5" | 24" | 21" | 5.75" | 21" | 19.75" |

| Item Code | Drawer Front Size | | Door Size | |
|-----------|-------------------|-------|-----------|-------|
| | W | H | W | H |
| B12 | 11.5" | 6.75" | 11.5" | 21.5" |
| B15 | 14.5" | 6.75" | 14.5" | 21.5" |
| B18 | 17.5" | 6.75" | 17.5" | 21.5" |
| B21 | 20.5" | 6.75" | 20.5" | 21.5" |
| B24-1 | 23.5" | 6.75" | 23.5" | 21.5" |

Double Door Standard Base

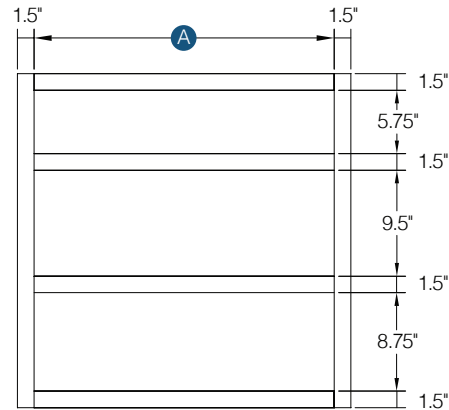
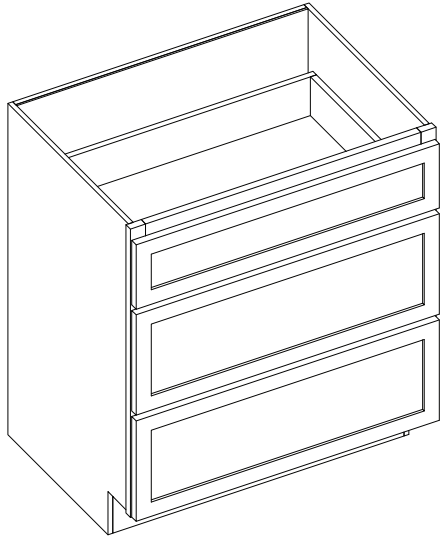


| Item Code | Outer Dimensions | | | Drawer Opening (x2) | | Door Opening | |
|-----------|------------------|-------|-----|---------------------|-------|--------------|--------|
| | W | H | D | A | H | A | H |
| B24-2* | 24" | 34.5" | 24" | 21" | 5.75" | 21" | 19.75" |
| B27 | 27" | 34.5" | 24" | 10.6875" | 5.75" | 24" | 19.75" |
| B30 | 30" | 34.5" | 24" | 12.1875" | 5.75" | 27" | 19.75" |
| B33 | 33" | 34.5" | 24" | 13.6875" | 5.75" | 30" | 19.75" |
| B36 | 36" | 34.5" | 24" | 15.1875" | 5.75" | 33" | 19.75" |
| B39 | 39" | 34.5" | 24" | 16.6875" | 5.75" | 36" | 19.75" |

| Item Code | Drawer Front Size (x2) | | Door Size (x2) | |
|-----------|------------------------|-------|----------------|-------|
| | W | H | W | H |
| B24-2* | 23.5" | 6.75" | 11.6875" | 21.5" |
| B27 | 13.1875" | 6.75" | 13.1875" | 21.5" |
| B30 | 14.6875" | 6.75" | 14.6875" | 21.5" |
| B33 | 16.1875" | 6.75" | 16.1875" | 21.5" |
| B36 | 17.6875" | 6.75" | 17.6875" | 21.5" |
| B39 | 19.1875" | 6.75" | 19.1875" | 21.5" |

*B24-2 has one drawer and two doors. Drawer measurements provided are for single drawer.

Drawer Base

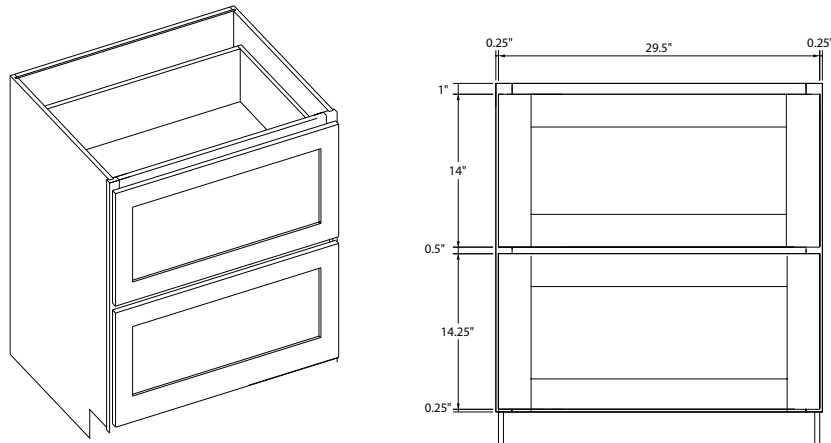


| Item Code | Outer Dimensions | | | Top Opening | | Top Drawer Front Size | |
|-----------|------------------|-------|-----|-------------|-------|-----------------------|-------|
| | W | H | D | A | H | A | H |
| DB12-3 | 12" | 34.5" | 24" | 9" | 5.75" | 11.5" | 6.75" |
| DB15-3 | 15" | 34.5" | 24" | 12" | 5.75" | 14.5" | 6.75" |
| DB18-3 | 18" | 34.5" | 24" | 15" | 5.75" | 17.5" | 6.75" |
| DB21-3 | 21" | 34.5" | 24" | 18" | 5.75" | 20.5" | 6.75" |
| DB24-3 | 24" | 34.5" | 24" | 21" | 5.75" | 23.5" | 6.75" |
| DB30-3 | 30" | 34.5" | 24" | 27" | 5.75" | 29.5" | 6.75" |
| DB36-3 | 36" | 34.5" | 24" | 33" | 5.75" | 35.5" | 6.75" |

| Item Code | Middle Opening | | Middle Drawer Front Size | |
|-----------|----------------|------|--------------------------|-------|
| | A | H | A | H |
| DB12-3 | 9" | 9.5" | 11.5" | 10.5" |
| DB15-3 | 12" | 9.5" | 14.5" | 10.5" |
| DB18-3 | 15" | 9.5" | 17.5" | 10.5" |
| DB21-3 | 18" | 9.5" | 20.5" | 10.5" |
| DB24-3 | 21" | 9.5" | 23.5" | 10.5" |
| DB30-3 | 27" | 9.5" | 29.5" | 10.5" |
| DB36-3 | 33" | 9.5" | 35.5" | 10.5" |

| Item Code | Bottom Opening | | Bottom Drawer Front Size | |
|-----------|----------------|-------|--------------------------|-------|
| | A | H | A | H |
| DB12-3 | 9" | 8.75" | 11.5" | 10.5" |
| DB15-3 | 12" | 8.75" | 14.5" | 10.5" |
| DB18-3 | 15" | 8.75" | 17.5" | 10.5" |
| DB21-3 | 18" | 8.75" | 20.5" | 10.5" |
| DB24-3 | 21" | 8.75" | 23.5" | 10.5" |
| DB30-3 | 27" | 8.75" | 29.5" | 10.5" |
| DB36-3 | 33" | 8.75" | 35.5" | 10.5" |

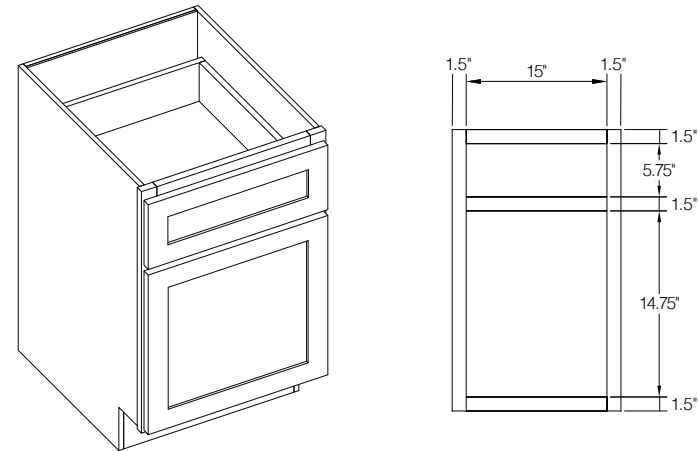
Two Drawer Base



| Item Code | Outer Dimensions | | | Top Opening | | Top Drawer Front Size | |
|-----------|------------------|-------|-----|-------------|-----|-----------------------|-----|
| | W | H | D | W | H | W | H |
| DB30-2 | 30" | 34.5" | 24" | 27" | 13" | 29.5" | 14" |
| DB36-2 | 36" | 34.5" | 24" | 27" | 13" | 29.5" | 14" |

| Item Code | Bottom Opening | | Bottom Drawer Front Size | |
|-----------|----------------|-------|--------------------------|--------|
| | W | H | W | H |
| DB30-2 | 27" | 12.5" | 29.5" | 14.25" |
| DB36-2 | 27" | 12.5" | 29.5" | 14.25" |

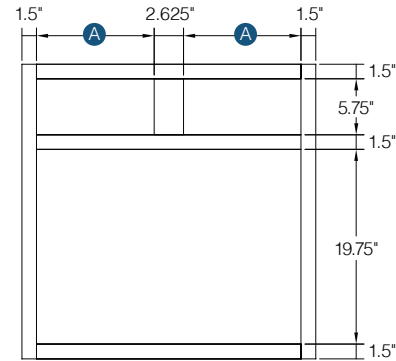
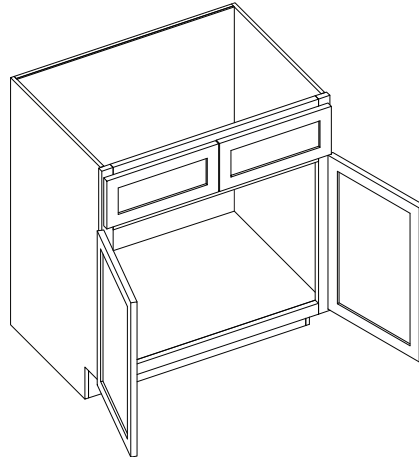
Desk Drawer Base



| Item Code | Outer Dimensions | | | Top Opening | | Top Drawer Front Size | |
|-----------|------------------|-------|-----|-------------|-------|-----------------------|-------|
| | W | H | D | W | H | W | H |
| DDB18 | 18" | 29.5" | 24" | 15" | 5.75" | 17.5" | 6.75" |

| Item Code | Bottom Opening | | Bottom Drawer Front Size | |
|-----------|----------------|--------|--------------------------|--------|
| | W | H | W | H |
| DDB18 | 15" | 14.75" | 17.5" | 16.75" |

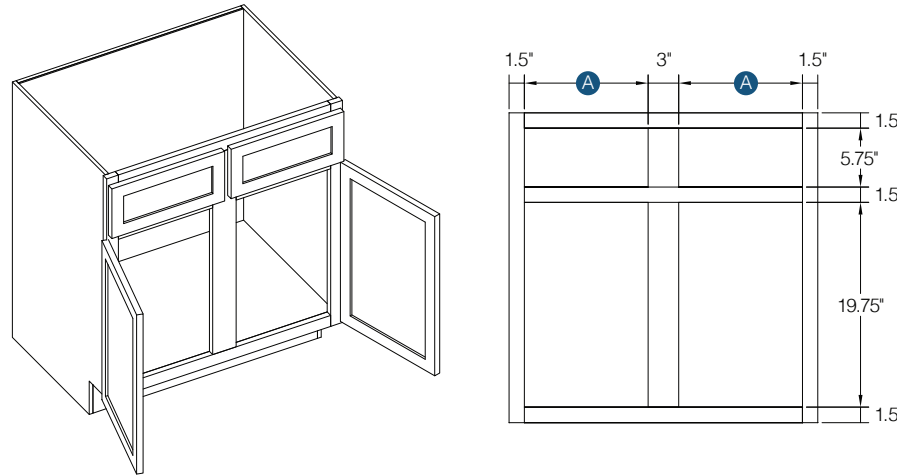
Sink Base



| Item Code | Outer Dimensions | | | False Drawer Opening (x2) | | Door Opening | |
|-----------|------------------|-------|-----|---------------------------|-------|--------------|--------|
| | W | H | D | A | H | W | H |
| SB30 | 30" | 34.5" | 24" | 12.1875" | 5.75" | 27" | 19.75" |
| SB33 | 33" | 34.5" | 24" | 13.6875" | 5.75" | 30" | 19.75" |
| SB36 | 36" | 34.5" | 24" | 15.1875" | 5.75" | 33" | 19.75" |

| Item Code | False Drawer Front Size (x2) | | Door Size (x2) | |
|-----------|------------------------------|-------|----------------|-------|
| | W | H | W | H |
| SB30 | 14.6875" | 6.75" | 14.6875" | 21.5" |
| SB33 | 16.1875" | 6.75" | 16.1875" | 21.5" |
| SB36 | 17.6875" | 6.75" | 17.6875" | 21.5" |

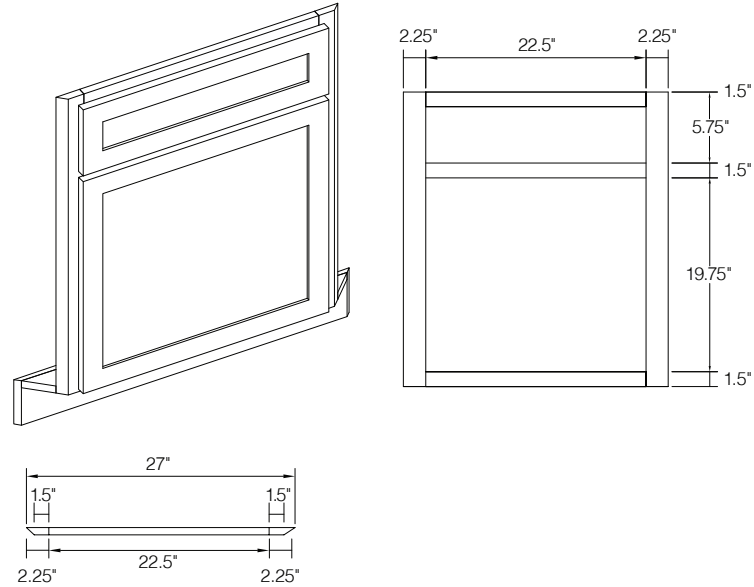
Sink Base with Center Stile



| Item Code | Outer Dimensions | | | False Drawer Opening (x2) | | Door Opening | |
|-----------|------------------|-------|-----|---------------------------|-------|--------------|--------|
| | W | H | D | A | H | W | H |
| SB42 | 42" | 34.5" | 24" | 18" | 5.75" | 39" | 19.75" |
| SB48 | 48" | 34.5" | 24" | 21" | 5.75" | 45" | 19.75" |

| Item Code | False Drawer Front Size (x2) | | Door Size (x2) | |
|-----------|------------------------------|-------|----------------|-------|
| | W | H | W | H |
| SB42 | 20.5" | 6.75" | 20.5" | 21.5" |
| SB48 | 23.5" | 6.75" | 23.5" | 21.5" |

Corner Sink Front

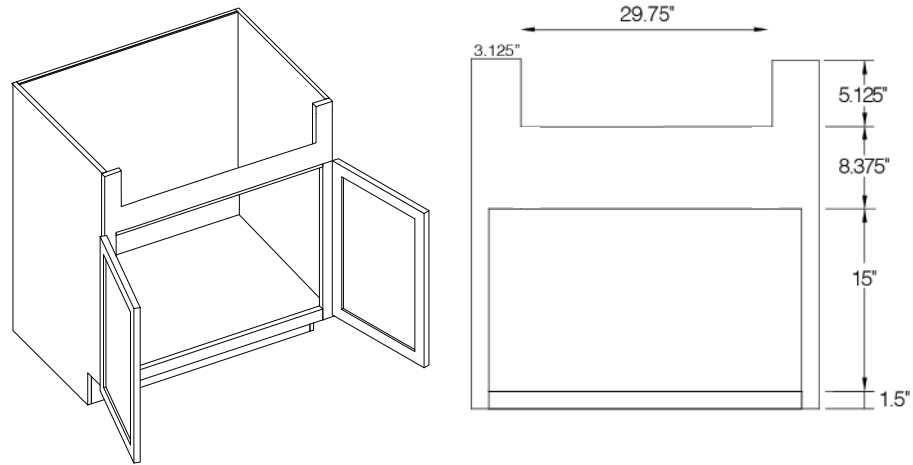


| Item Code | Outer Dimensions | | | Door Opening | | Door Size | |
|-----------|------------------|------|---|--------------|--------|-----------|-------|
| | W | H | D | W | H | W | H |
| CSF42 | 27 | 34.5 | 2 | 22.5" | 19.75" | 23.5" | 21.5" |

| Item Code | Drawer Opening | | Drawer Front Size | |
|-----------|----------------|-------|-------------------|-------|
| | W | H | W | H |
| CSF42 | 22.5" | 5.75" | 23.5" | 6.75" |

Sink floor sold separately - YN-CSF-FLOO

36" Farm House Sink Base

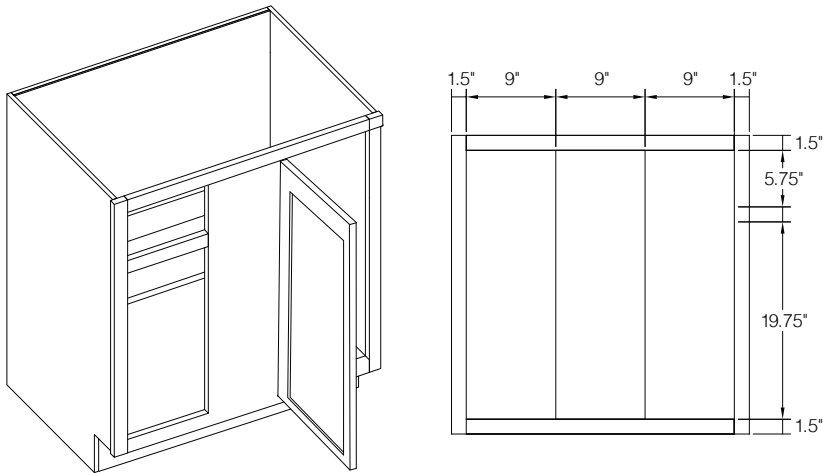


| Item Code | Outer Dimensions | | | Door Opening | |
|-----------|------------------|-------|-----|--------------|-----|
| | W | H | D | W | H |
| FSB36 | 36" | 34.5" | 24" | 33" | 15" |

| Item Code | Door Size (x2) | |
|-----------|----------------|-----|
| | W | H |
| FSB36 | 17.687" | 17" |

Max 13" tall sink

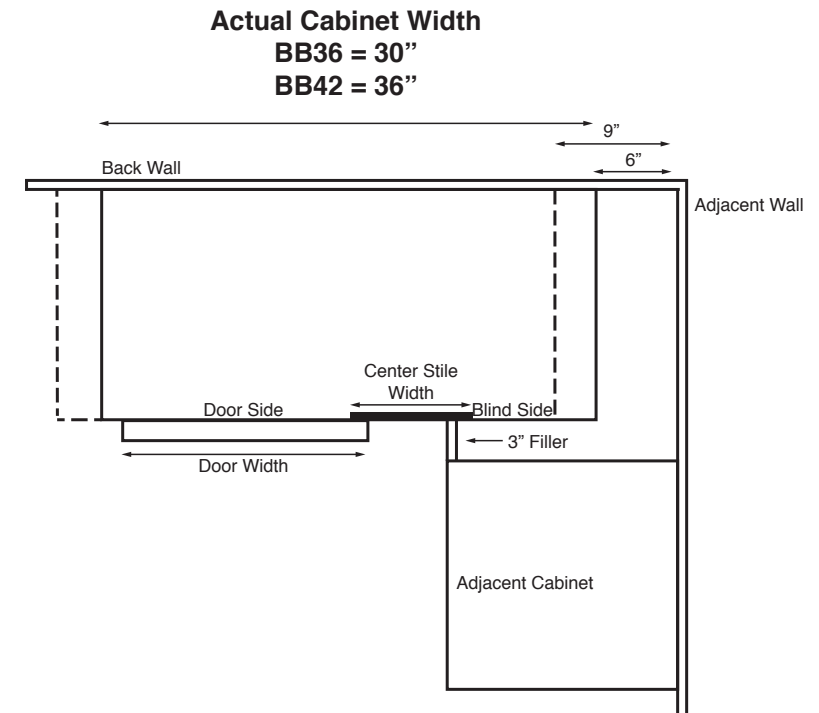
36" Blind Base



| Item Code | Outer Dimensions | | | Door Opening | | Door Size | |
|-----------|------------------|-------|-----|--------------|--------|-----------|--------|
| | W | H | D | W | H | W | H |
| BB36 | 36" | 34.5" | 24" | 8.5" | 28.75" | 11.5" | 28.75" |

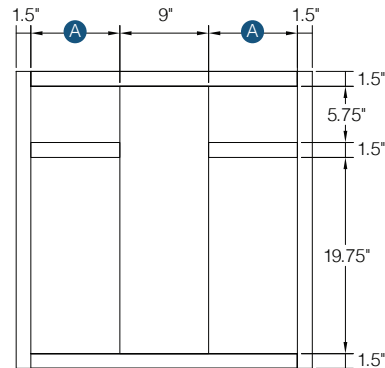
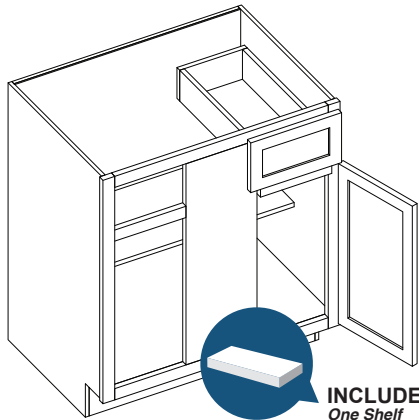
Installing a 36" - 42" Blind Base

Proper installation ensures that the drawer will clear hardware, and doors will open, and show correct reveal



- Choose the blind side and assemble accordingly
- Place the cabinet back against the back wall
 - BB36 and BB42 – position the blind side 6"-9" away from the adjacent wall
- Place at least a 3" filler next to the adjacent cabinet (*filler sold separately*)

42" - 48" Blind Base

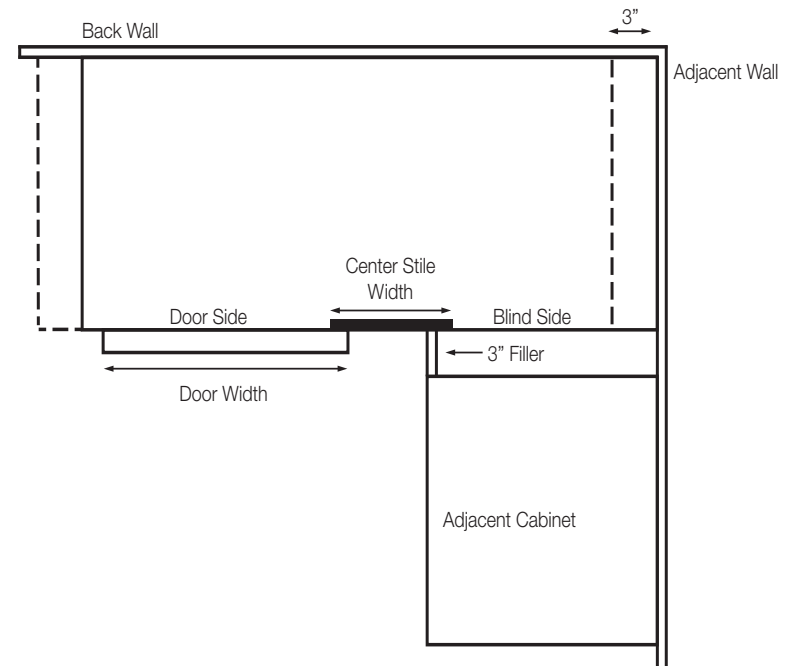


| Item Code | Outer Dimensions | | | Drawer Opening | | Door Opening | |
|-----------|------------------|-------|-----|----------------|-------|--------------|--------|
| | W | H | D | A | H | A | H |
| BB42 | 42" | 34.5" | 24" | 12" | 5.75" | 12" | 19.75" |
| BB48 | 48" | 34.5" | 24" | 18" | 5.75" | 18" | 19.75" |

| Item Code | Drawer Front Size | | Door Size | |
|-----------|-------------------|-------|-----------|-------|
| | W | H | W | H |
| BB42 | 14.5" | 6.75" | 14.5" | 21.5" |
| BB48 | 20.5" | 6.75" | 20.5" | 21.5" |

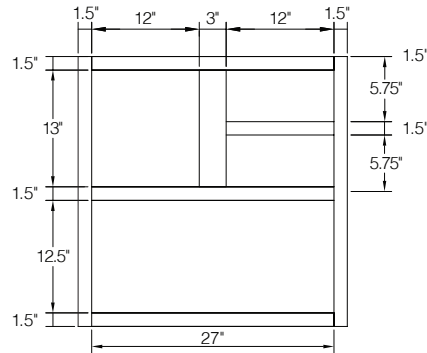
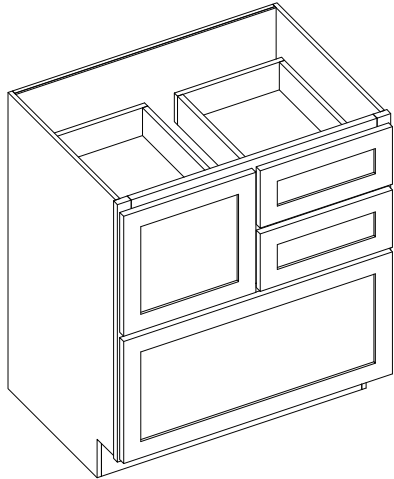
Installing a 48" Blind Base

Proper installation ensures that the drawer will clear hardware, and doors will open, and show correct reveal



- Choose the blind side and assemble accordingly
- Place the cabinet back against the back wall
 - BB48 – position the blind side 0"-3" away from the adjacent wall
- Place at least a 3" filler next to the adjacent cabinet
(filler sold separately)

Cooking Center

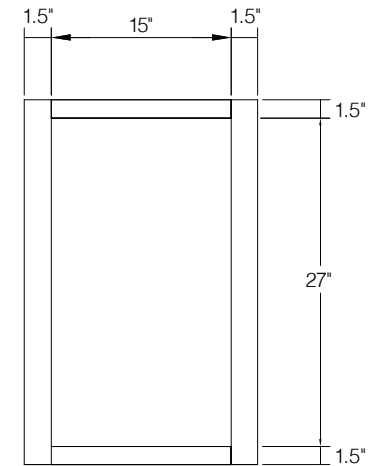
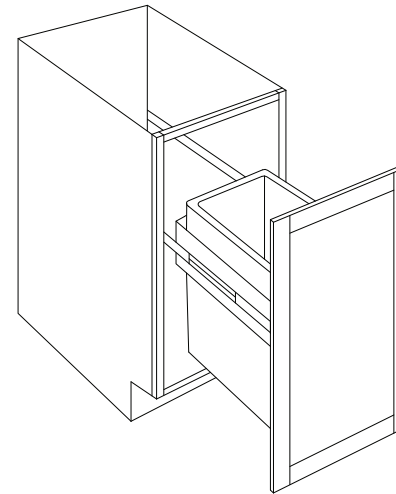


| Item Code | Outer Dimensions | | | Top Opening | | Top Drawer Front Size | |
|-----------|------------------|-------|-----|-------------|-------|-----------------------|-------|
| | W | H | D | W | H | W | H |
| CC30 | 30" | 34.5" | 24" | 12" | 5.75" | 14.5" | 6.75" |

| Item Code | Left Drawer Opening | | Left Drawer Front Size | |
|-----------|---------------------|-----|------------------------|-----|
| | W | H | W | H |
| CC30 | 12" | 13" | 14.5" | 14" |

| Item Code | Bottom Drawer Opening | | Bottom Drawer Front Size | |
|-----------|-----------------------|-------|--------------------------|--------|
| | W | H | W | H |
| CC30 | 27" | 12.5" | 29.5" | 14.25" |

Trash Can Base (Full Height Door)



| Item Code | Outer Dimensions | | | Opening Size | | Door Size | |
|-----------|------------------|-------|-----|--------------|-----|-----------|--------|
| | W | H | D | W | H | W | H |
| TRB-1* | 18" | 34.5" | 24" | 15" | 27" | 17.5" | 28.75" |
| TRB-2** | 18" | 34.5" | 24" | 15" | 27" | 17.5" | 28.75" |

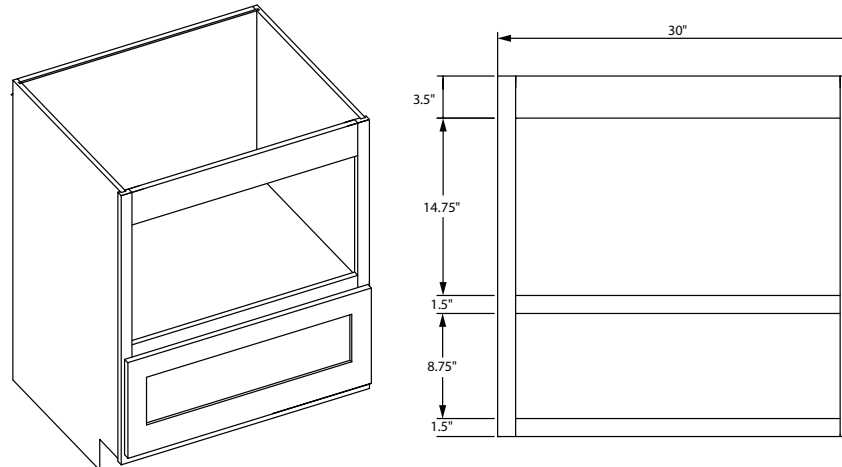
TRB-1 shown

*TRB-1 includes one 50 QT can

**TRB-2 includes two 35 QT cans

Trash Can Insert (TCCK) for B18 also available on pg 55

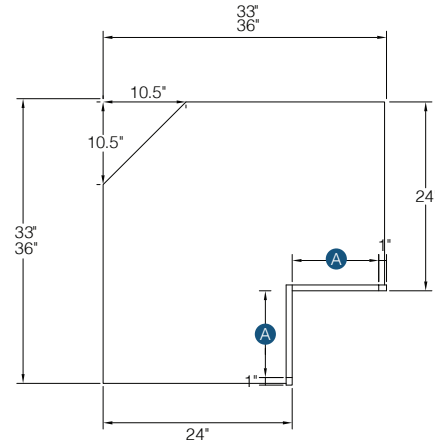
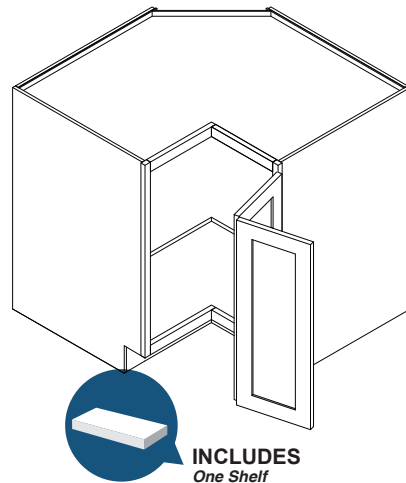
Microwave Base Cabinet



| Item Code | Outer Dimensions | | | Top Opening | | Bottom Opening | | Drawer Size | |
|-----------|------------------|-------|-----|-------------|--------|----------------|-------|-------------|-------|
| | W | H | D | W | H | W | H | W | H |
| MBC30 | 30" | 34.5" | 24" | 27" | 14.75" | 27" | 8.75" | 29.5" | 10.5" |

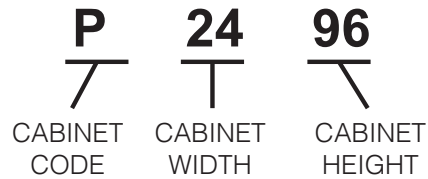
Painted interior

Easy Reach



| Item Code | Outer Dimensions | | | Door Opening | | Door Size | |
|-----------|------------------|-------|-----|--------------|-----|-----------|--------|
| | W | H | D | A | H | A | H |
| ER33 | 33" | 34.5" | 24" | 8.75" | 27" | 7.75" | 28.75" |
| ER36 | 36" | 34.5" | 24" | 11.75" | 27" | 10.875" | 28.75" |

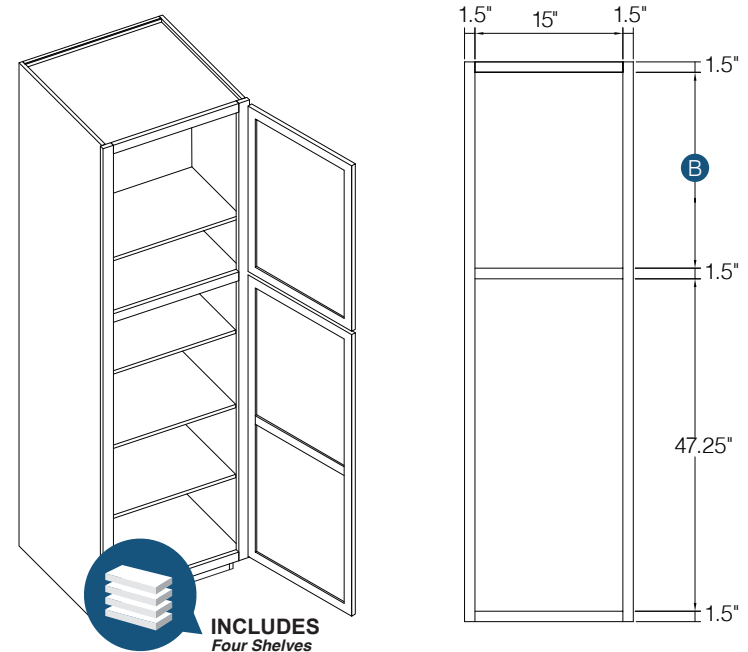
Tall Cabinet Coding



Notes:

- Standard tall cabinets are 24" deep.
- Add door thickness for total cabinet depth.
- Please refer to the Products by Cabinet Line chart to determine which products are carried for each cabinet line.

Single Door Pantry

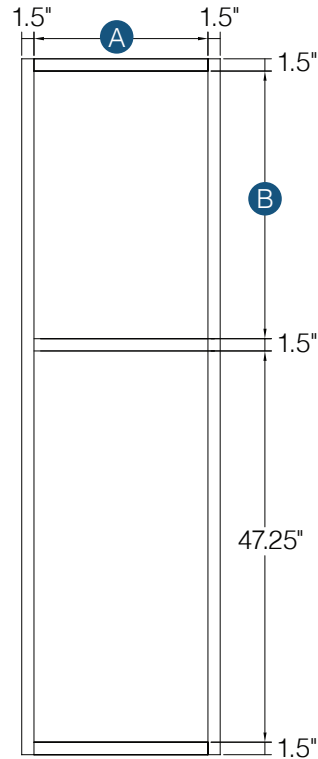
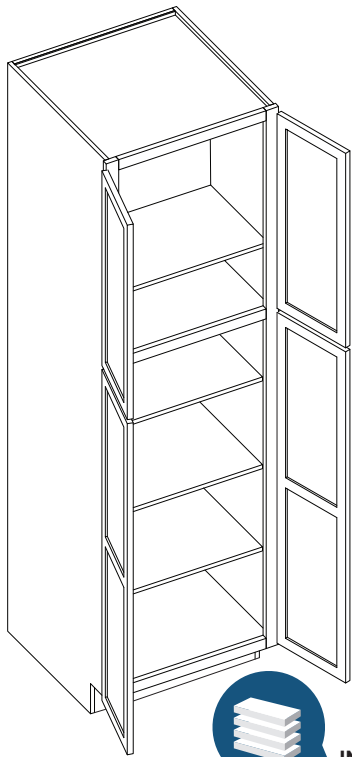


| Item Code | Outer Dimensions | | | Top Opening | | Top Door Size | |
|-----------|------------------|-----|-----|-------------|--------|---------------|--------|
| | W | H | D | W | B | W | H |
| P1884 | 18" | 84" | 24" | 15" | 27.75" | 17.5" | 28.75" |
| P1890 | 18" | 90" | 24" | 15" | 33.75" | 17.5" | 34.75" |
| P1896* | 18" | 96" | 24" | 15" | 39.75" | 17.5" | 40.75" |

| Item Code | Bottom Opening | | Bottom Door Size | |
|-----------|----------------|--------|------------------|-----|
| | W | H | W | H |
| P1884 | 15" | 47.25" | 17.5" | 49" |
| P1890 | 15" | 47.25" | 17.5" | 49" |
| P1896* | 15" | 47.25" | 17.5" | 49" |

* P1896 - Includes 5 shelves

Double Door Pantry



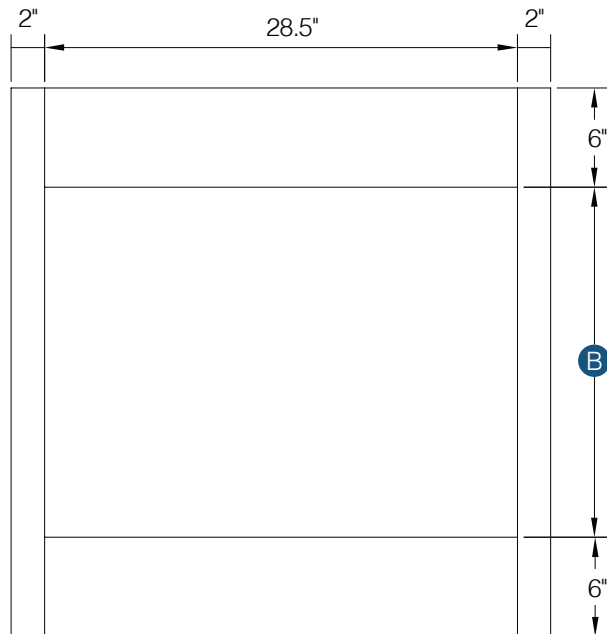
| Item Code | Outer Dimensions | | | Top Opening | | Top Door Size | |
|-----------|------------------|-----|-----|-------------|--------|---------------|--------|
| | W | H | D | A | B | W | H |
| P2484 | 24" | 84" | 24" | 21" | 27.75" | 11.6875" | 28.75" |
| P2490 | 24" | 90" | 24" | 21" | 33.75" | 11.6875" | 34.75" |
| P2496* | 24" | 96" | 24" | 21" | 39.75" | 11.6875" | 40.75" |
| P3090* | 30" | 90" | 24" | 27" | 33.75" | 14.6875" | 34.75" |
| P3096* | 30" | 96" | 24" | 27" | 39.75" | 14.6875" | 40.75" |

| Item Code | Bottom Opening | | Bottom Door Size | |
|-----------|----------------|--------|------------------|-----|
| | W | H | W | H |
| P2484 | 21" | 47.25" | 11.6875" | 49" |
| P2490 | 21" | 47.25" | 11.6875" | 49" |
| P2496* | 21" | 47.25" | 11.6875" | 49" |
| P3090 | 27" | 47.25" | 14.6875" | 49" |
| P3096* | 27" | 47.25" | 14.6875" | 49" |

Available in Premier Series only*

* P2496 and P3096 - Includes 5 shelves

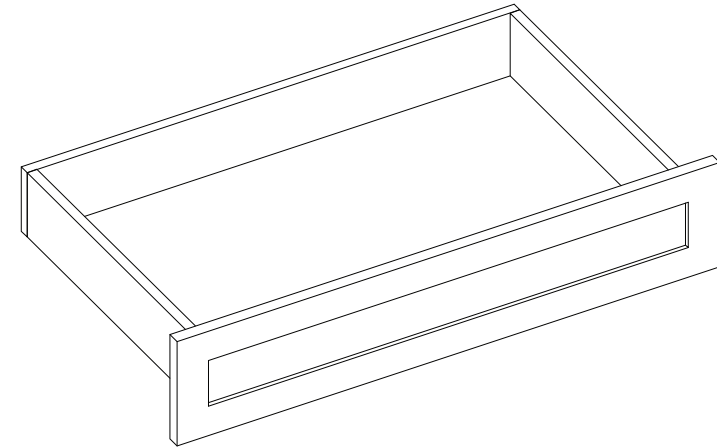
Oven Cabinet Overlay Panel



| Item Code | Outer Dimensions | | | Opening Size | |
|-----------|------------------|----|------|--------------|-----|
| | W | H | D | W | B |
| OP3353 | 33 | 55 | 0.75 | 28.5" | 43" |

Overlay shipped loose for field installation on oven cabine
Trim overlay as needed to fit oven door profile and attach to th
cabinet frame

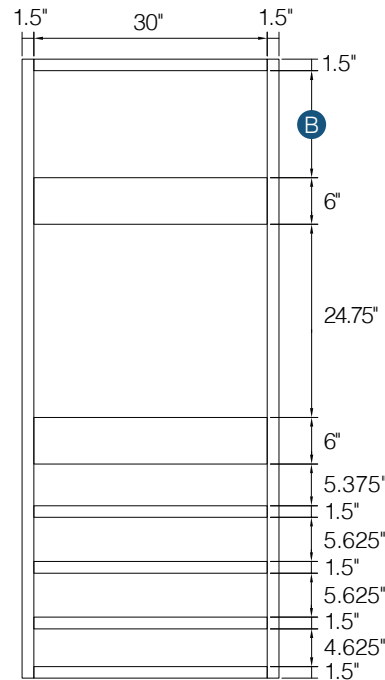
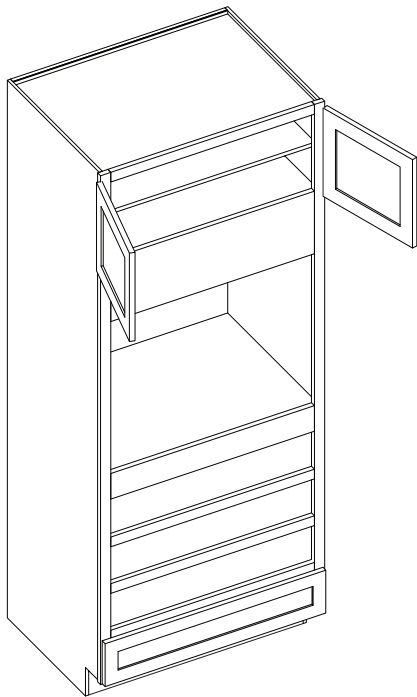
Oven Cabinet Drawer



| Item Code | Drawer Size | |
|-----------|-------------|-------|
| | W | H |
| OCD337 | 32.5" | 6.75" |

Same size as drawer included with Oven Cabinets

Oven Cabinet



| Item Code | Outer Dimensions | | |
|-----------|------------------|----|----|
| | W | H | D |
| OC3384* | 33 | 84 | 24 |
| OC3390** | 33 | 90 | 24 |
| OC3396*** | 33 | 96 | 24 |

| Item Code | Door Opening | | Door Size | |
|-----------|--------------|--------|-----------|-------|
| | W | B | W | H |
| OC3384* | 30" | 13.75" | 16.1875" | 15.5" |
| OC3390** | 30" | 19.75" | 16.1875" | 21.5" |
| OC3396*** | 30" | 25.75" | 16.1875" | 27.5" |

| Item Code | Top Drawer Opening | | Top Drawer Front Size | |
|-----------|--------------------|--------|-----------------------|-------|
| | W | H | W | H |
| OC3384* | 30" | 5.375" | 32.5" | 6.75" |
| OC3390** | 30" | 5.375" | 32.5" | 6.75" |
| OC3396*** | 30" | 5.375" | 32.5" | 6.75" |

| Item Code | Middle Drawer Opening | | Middle Drawer Front Size | |
|-----------|-----------------------|--------|--------------------------|-------|
| | W | H | W | H |
| OC3384* | 30" | 5.375" | 32.5" | 6.75" |
| OC3390** | 30" | 5.375" | 32.5" | 6.75" |
| OC3396*** | 30" | 5.375" | 32.5" | 6.75" |

| Item Code | Bottom Drawer Opening | | Bottom Drawer Front Size | |
|-----------|-----------------------|--------|--------------------------|-------|
| | W | H | W | H |
| OC3384* | 30" | 4.375" | 32.5" | 6.75" |
| OC3390** | 30" | 4.375" | 32.5" | 6.75" |
| OC3396*** | 30" | 4.375" | 32.5" | 6.75" |

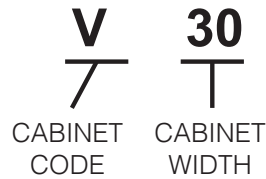
Oven cabinets have one drawer included

* OC3384 - No shelf included

** OC3390 - Includes 1 shelf

*** OC3396 - Includes 2 shelves

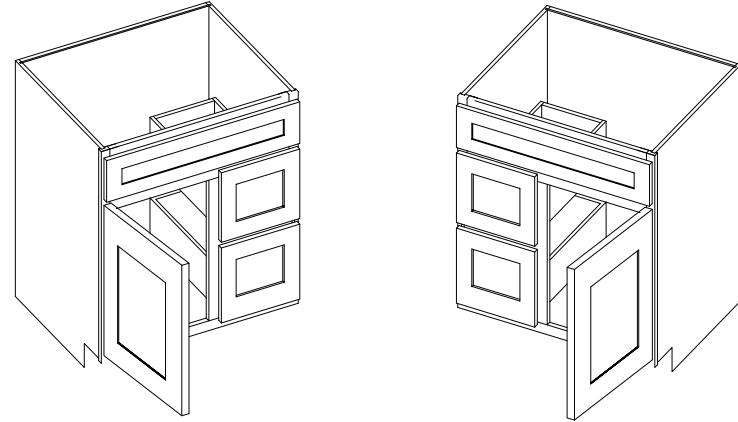
Vanity Cabinet Coding



Notes:

- Standard vanity cabinets are 21" deep.
- Add door thickness for total cabinet depth.
- Please refer to the Products by Cabinet Line chart to determine which products are carried for each cabinet line.

Vanity Combo Cabinet 30"



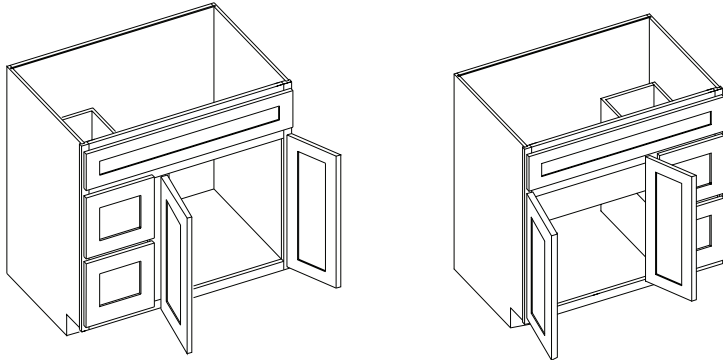
| Item Code | Outer Dimensions | | | False Drawer Opening | | Door Opening | |
|-----------|------------------|-------|-----|----------------------|-------|--------------|--------|
| | W | H | D | W | H | W | H |
| VSBDR30 | 30" | 34.5" | 21" | 11.5" | 5.75" | 15" | 19.75" |
| VSBDL30 | 30" | 34.5" | 21" | 11.5" | 5.75" | 15" | 19.75" |

| Item Code | False Drawer Front Size | | Door Size (x2) | |
|-------------------|-------------------------|-------|----------------|-------|
| | W | H | W | H |
| VSBDR30 / VSBDL30 | 29.5" | 6.75" | 17.5" | 21.5" |

| Item Code | Top Drawer Opening | | Bottom Drawer Opening | |
|-------------------|--------------------|------|-----------------------|-------|
| | W | H | W | H |
| VSBDR30 / VSBDL30 | 9" | 9.5" | 9" | 8.75" |

| Item Code | Side Drawer Size (x2) | |
|-------------------|-----------------------|-------|
| | W | H |
| VSBDR30 / VSBDL30 | 11.5" | 10.5" |

Vanity Combo Cabinet 36"



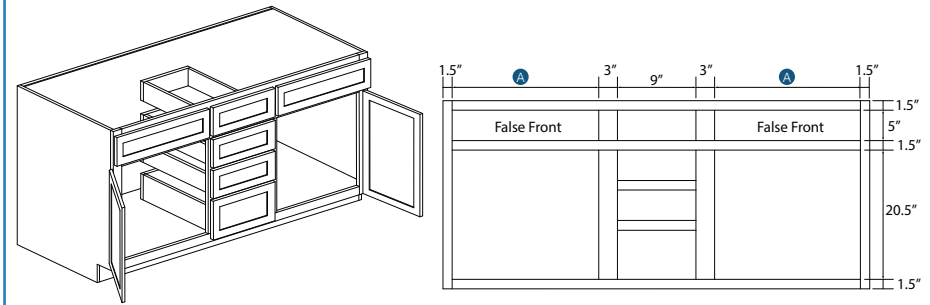
| Item Code | Outer Dimensions | | | False Drawer Opening | | Door Opening | |
|-----------|------------------|-------|-----|----------------------|-------|--------------|--------|
| | W | H | D | W | H | W | H |
| VSBDR36 | 36" | 34.5" | 21" | 33" | 5.75" | 20" | 19.75" |
| VSBDL36 | 36" | 34.5" | 21" | 33" | 5.75" | 20" | 19.75" |

| Item Code | False Drawer Front Size | | Door Size (x2) | |
|-------------------|-------------------------|-------|----------------|-------|
| | W | H | W | H |
| VSBDR36 / VSBDL36 | 35.5" | 6.75" | 11.6875" | 21.5" |

| Item Code | Top Drawer Opening | | Bottom Drawer Opening | |
|-------------------|--------------------|------|-----------------------|-------|
| | W | H | W | H |
| VSBDR36 / VSBDL36 | 9" | 9.5" | 9" | 8.75" |

| Item Code | Side Drawer Size (x2) | |
|-------------------|-----------------------|-------|
| | W | H |
| VSBDR36 / VSBDL36 | 11.5" | 10.5" |

Double Vanity Sink Base



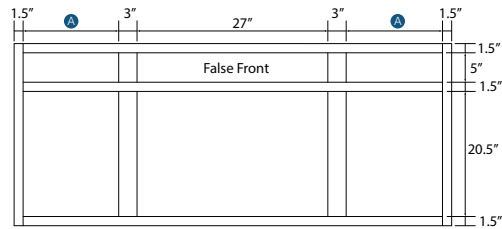
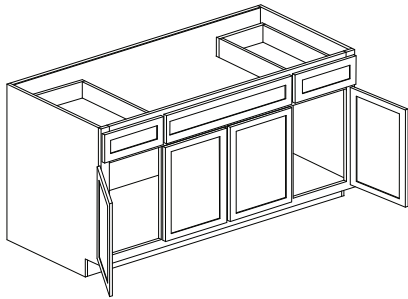
| Item Code | Outer Dimensions | | | False Drawer Front Size (x2) | |
|-----------|------------------|-------|-----|------------------------------|-------|
| | W | H | D | A | H |
| DVSB54 | 54" | 34.5" | 21" | 20.5" | 5.75" |

| Item Code | Top 3 Drawer Opening | | Top 3 Drawer Front | |
|-----------|----------------------|----|--------------------|-------|
| | W | H | W | H |
| DVSB54 | 9" | 5" | 11.5" | 5.75" |
| DVSB60 | 9" | 5" | 11.5" | 5.75" |

| Item Code | Bottom Drawer Opening | | Bottom Drawer Front | |
|-----------|-----------------------|------|---------------------|-------|
| | W | H | W | H |
| DVSB54 | 9" | 7.5" | 11.5" | 9.57" |
| DVSB60 | 9" | 7.5" | 11.5" | 9.57" |

| Item Code | Door Opening (x2) | | Door Size (x2) | |
|-----------|-------------------|-------|----------------|--------|
| | A | H | W | H |
| DVSB54 | 18" | 20.5" | 20.5" | 22.25" |
| DVSB60 | 21" | 20.5" | 23.5" | 22.25" |

Extended Vanity Sink Base



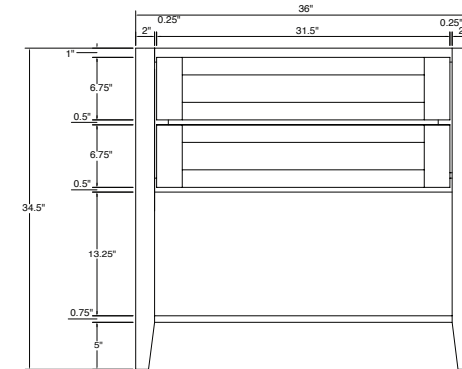
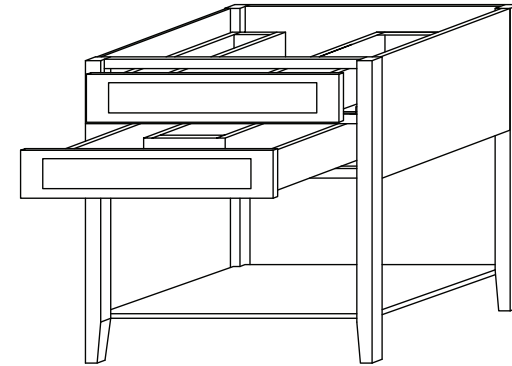
| Item Code | Outer Dimensions | | | False Drawer Front Size | |
|-----------|------------------|-------|-----|-------------------------|-------|
| | W | H | D | W | H |
| EVSB54 | 54" | 34.5" | 21" | 29.5" | 5.75" |
| EVSB60 | 60" | 34.5" | 21" | 29.5" | 5.75" |

| Item Code | Drawer Opening (x2) | | Drawer Front (x2) | |
|-----------|---------------------|----|-------------------|-------|
| | A | H | W | H |
| EVSB54 | 9" | 5" | 11.5" | 5.75" |
| EVSB60 | 12" | 5" | 14.5" | 5.75" |

| Item Code | Outer Door Opening (x2) | | Outer Door Size (x2) | |
|-----------|-------------------------|-------|----------------------|--------|
| | A | H | W | H |
| EVSB54 | 9" | 20.5" | 11.5" | 22.25" |
| EVSB60 | 12" | 20.5" | 14.5" | 22.25" |

| Item Code | Middle Door Opening | | Middle Door Size (x2) | |
|-----------|---------------------|-------|-----------------------|--------|
| | W | H | W | H |
| EVSB54 | 27" | 20.5" | 14.7" | 22.25" |
| EVSB60 | 27" | 20.5" | 14.7" | 22.25" |

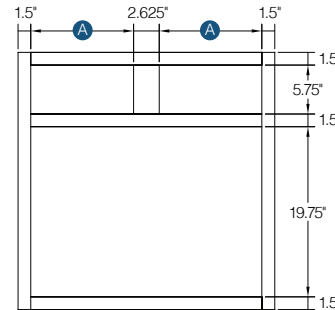
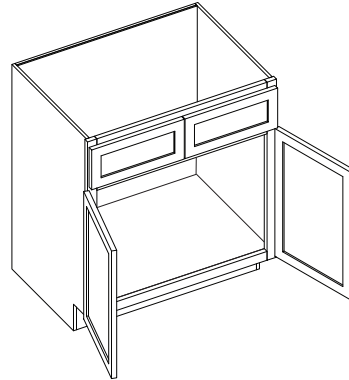
36" Open Shelf Vanity Sink Base



| Item Code | Outer Dimensions | | | Top Opening | | Top Drawer Size | |
|-----------|------------------|-------|-----|-------------|-------|-----------------|-------|
| | W | H | D | W | B | W | H |
| VSBOS36 | 36" | 34.5" | 21" | 29" | 5.75" | 31.5" | 6.75" |

Both drawers U-shaped to accommodate plumbing
Adjustable foot included
Sides and back 3/4" plywood construction

Double Door Vanity

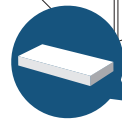
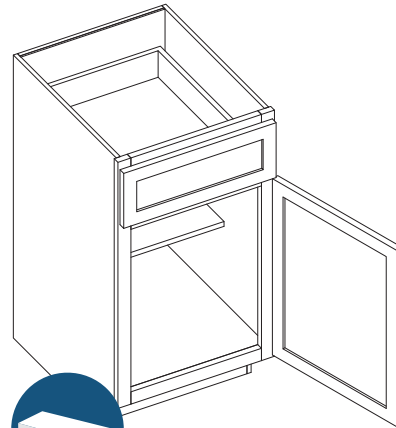


| Item Code | Outer Dimensions | | | False Drawer Opening (x2) | | Door Opening | |
|-----------|------------------|-------|-----|---------------------------|-------|--------------|--------|
| | W | H | D | A | H | W | H |
| V24-2* | 24" | 34.5" | 21" | 21" | 5.75" | 21" | 19.75" |
| V27 | 27" | 34.5" | 21" | 10.6875" | 5.75" | 24" | 19.75" |
| V30 | 30" | 34.5" | 21" | 12.1875" | 5.75" | 27" | 19.75" |
| V33 | 33" | 34.5" | 21" | 13.6875" | 5.75" | 30" | 19.75" |
| V36 | 36" | 34.5" | 21" | 15.1875" | 5.75" | 33" | 19.75" |

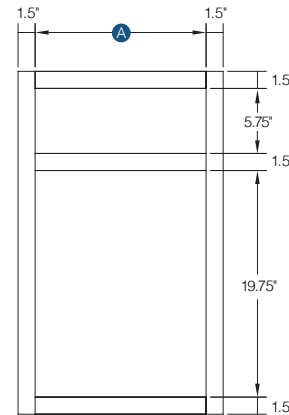
| Item Code | False Drawer Front Size (x2) | | Door Size (x2) | |
|-----------|------------------------------|-------|----------------|-------|
| | W | H | W | H |
| V24-2* | 23.5" | 6.75" | 11.6875" | 21.5" |
| V27 | 13.1875" | 6.75" | 13.1875" | 21.5" |
| V30 | 14.6875" | 6.75" | 14.6875" | 21.5" |
| V33 | 16.1875" | 6.75" | 16.1875" | 21.5" |
| V36 | 17.6875" | 6.75" | 17.6875" | 21.5" |

*V24-2 has one false drawer and two doors. Drawer measurements provided are for single drawer.

Single Door Vanity Base



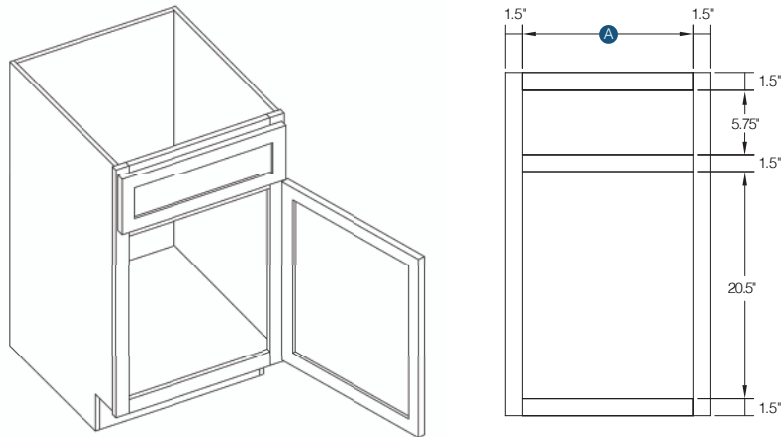
INCLUDES
One Shelf



| Item Code | Outer Dimensions | | | Drawer Opening | | Door Opening | |
|-----------|------------------|-------|-----|----------------|-------|--------------|--------|
| | W | H | D | A | H | A | H |
| VB12 | 12" | 34.5" | 21" | 9" | 5.75" | 9" | 19.75" |
| VB15 | 15" | 34.5" | 21" | 12" | 5.75" | 12" | 19.75" |
| VB18 | 18" | 34.5" | 21" | 15" | 5.75" | 15" | 19.75" |

| Item Code | Drawer Front Size | | Door Size | |
|-----------|-------------------|-------|-----------|-------|
| | W | H | W | H |
| VB12 | 11.5" | 6.75" | 11.5" | 21.5" |
| VB15 | 14.5" | 6.75" | 14.5" | 21.5" |
| VB18 | 17.5" | 6.75" | 17.5" | 21.5" |

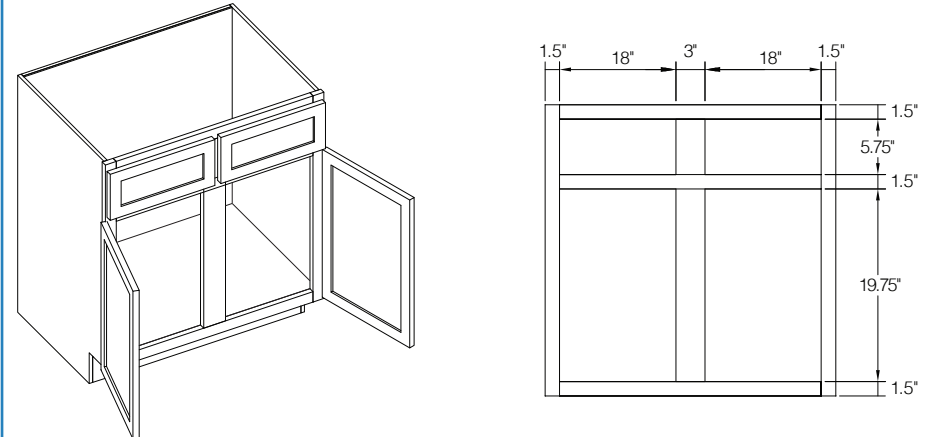
Single Door Vanity Cabinet



| Item Code | Outer Dimensions | | | False Drawer Opening (x2) | | Door Opening | |
|-----------|------------------|-------|-----|---------------------------|-------|--------------|--------|
| | W | H | D | W | H | W | H |
| V21 | 21" | 34.5" | 21" | 18" | 5.75" | 18" | 19.75" |

| Item Code | False Drawer Front Size (x2) | | Door Size (x2) | |
|-----------|------------------------------|-------|----------------|-------|
| | W | H | W | H |
| V21 | 20.5" | 6.75" | 20.5" | 21.5" |

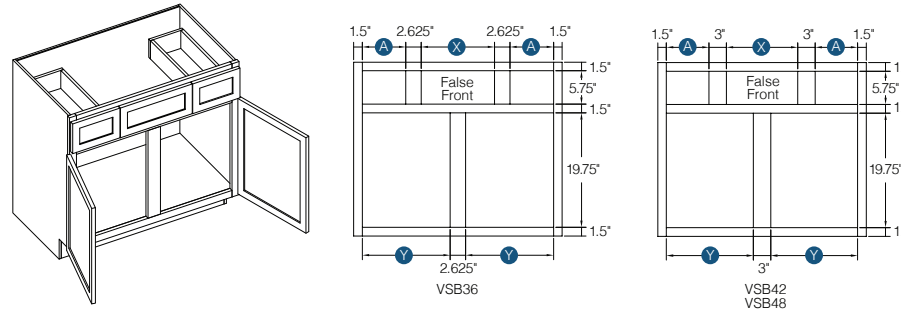
Double Door Vanity with Center Stile



| Item Code | Outer Dimensions | | | False Drawer Opening (x2) | | Door Opening | |
|-----------|------------------|-------|-----|---------------------------|-------|--------------|--------|
| | W | H | D | W | H | W | H |
| V42 | 42" | 34.5" | 21" | 18" | 5.75" | 18" | 19.75" |

| Item Code | False Drawer Front Size (x2) | | Door Size (x2) | |
|-----------|------------------------------|-------|----------------|-------|
| | W | H | W | H |
| V42 | 20.5" | 6.75" | 20.5" | 21.5" |

Vanity Sink Base

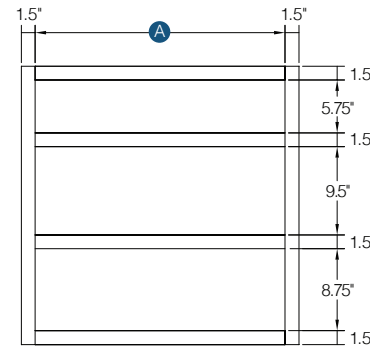
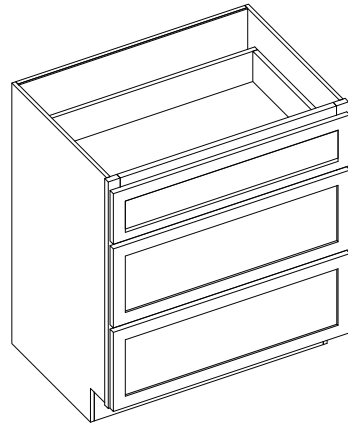


| Item Code | Outer Dimensions | | |
|-----------|------------------|-------|-----|
| | W | H | D |
| VSB36 | 36" | 34.5" | 21" |
| VSB42 | 42" | 34.5" | 21" |
| VSB48 | 48" | 34.5" | 21" |

| Item Code | Drawer Opening (x2) | | False Drawer Opening | | Door Opening (x2) | |
|-----------|---------------------|-------|----------------------|-------|-------------------|--------|
| | A | H | X | H | Y | H |
| VSB36 | 7.5" | 5.75" | 12.75" | 5.75" | 15.1875" | 19.75" |
| VSB42 | 9.25" | 5.75" | 14.5" | 5.75" | 18" | 19.75" |
| VSB48 | 9.25" | 5.75" | 20.5" | 5.75" | 21" | 19.75" |

| Item Code | Drawer Front Size | | False Drawer Front Size | | Door Size | |
|-----------|-------------------|-------|-------------------------|-------|-----------|-------|
| | W | H | W | H | W | H |
| VSB36 | 10" | 6.75" | 15.25" | 6.75" | 17.6875" | 21.5" |
| VSB42 | 11.75" | 6.75" | 17" | 6.75" | 20.5" | 21.5" |
| VSB48 | 11.75" | 6.75" | 23" | 6.75" | 23.5" | 21.5" |

Vanity Drawer Base

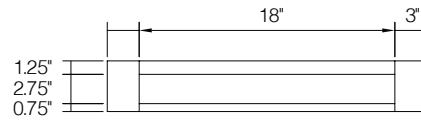
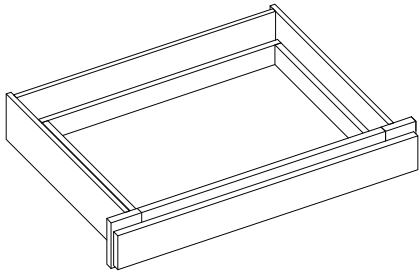


| Item Code | Outer Dimensions | | | Top Opening | | Top Drawer Front Size | |
|-----------|------------------|-------|-----|-------------|-------|-----------------------|-------|
| | W | H | D | A | H | W | H |
| VDB12 | 12" | 34.5" | 21" | 9" | 5.75" | 11.5" | 6.75" |
| VDB15 | 15" | 34.5" | 21" | 12" | 5.75" | 14.5" | 6.75" |
| VDB18 | 18" | 34.5" | 21" | 15" | 5.75" | 17.5" | 6.75" |

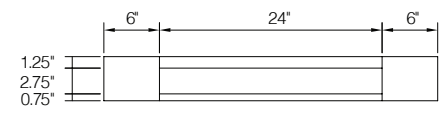
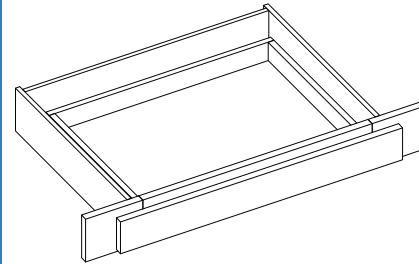
| Item Code | Middle Opening | | Middle Drawer Front Size | |
|-----------|----------------|------|--------------------------|-------|
| | A | H | W | H |
| VDB12 | 9" | 9.5" | 11.5" | 10.5" |
| VDB15 | 12" | 9.5" | 14.5" | 10.5" |
| VDB18 | 15" | 9.5" | 17.5" | 10.5" |

| Item Code | Bottom Opening | | Bottom Drawer Front Size | |
|-----------|----------------|------|--------------------------|-------|
| | A | H | W | H |
| VDB12 | 9" | 9.5" | 11.5" | 10.5" |
| VDB15 | 12" | 9.5" | 14.5" | 10.5" |
| VDB18 | 15" | 9.5" | 17.5" | 10.5" |

Vanity Drawer



Vanity Drawer

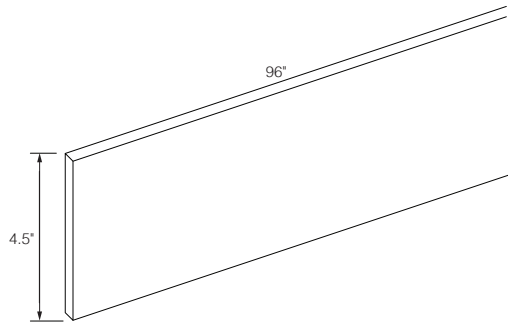


| Item Code | Outer Dimensions | | | Opening Size | | Drawer Size | |
|-----------|------------------|-------|-----|--------------|-------|-------------|------|
| | W | H | D | W | B | W | H |
| KD24 | 24" | 4.75" | 21" | 18" | 2.75" | 23.5" | 3.5" |

| Item Code | Outer Dimensions | | | Opening Size | | Drawer Size | |
|-----------|------------------|-------|-----|--------------|-------|-------------|------|
| | W | H | D | W | B | W | H |
| KD36 | 36" | 4.75" | 21" | 24" | 2.75" | 29.5" | 3.5" |

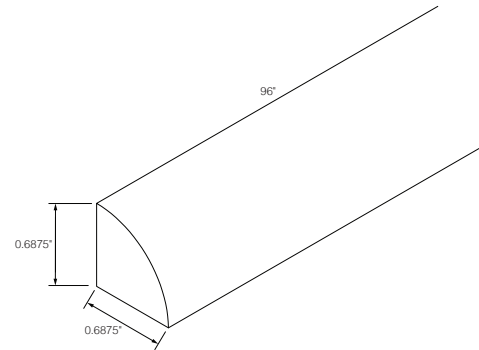
Wings on KD36 can be trimmed down to fit a 30" opening

Toe Kick



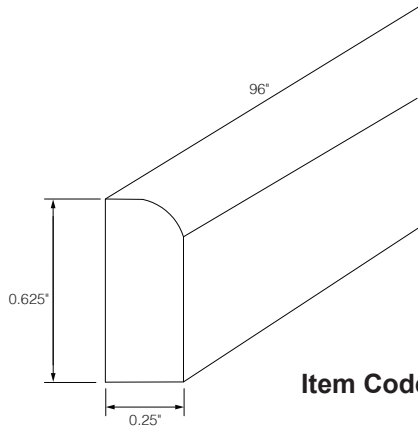
| Item Code | Outer Dimensions | | |
|-----------|------------------|------|-------|
| | W | H | D |
| TKS8 | 96" | 4.5" | 0.25" |

Shoe Molding



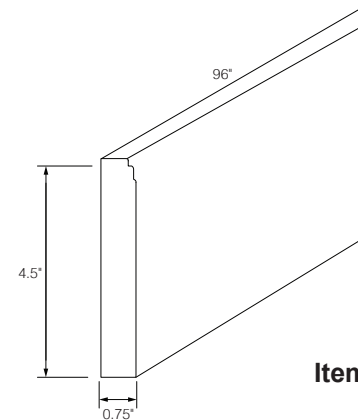
| Item Code | Outer Dimensions | | |
|-----------|------------------|---------|---------|
| | W | H | D |
| SHOE | 96" | 0.6875" | 0.6875" |

Scribe



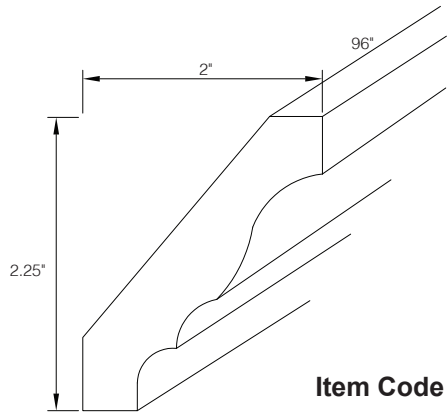
| Item Code | Outer Dimensions | | |
|-----------|------------------|--------|-------|
| | W | H | D |
| SCRIBE | 96" | 0.625" | 0.25" |

Furniture Base Molding



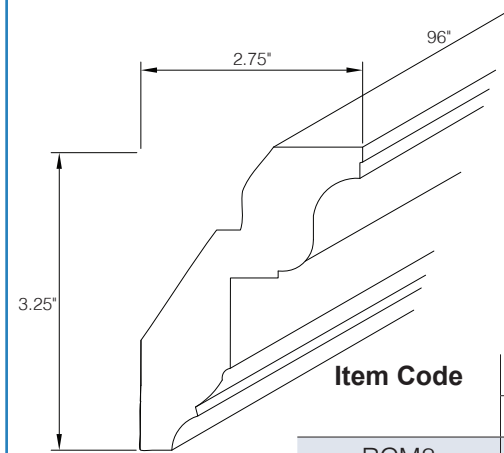
| Item Code | Outer Dimensions | | |
|-----------|------------------|------|-------|
| | W | H | D |
| FBM8 | 96" | 4.5" | 0.75" |

Traditional Crown Molding



| Item Code | Outer Dimensions | | |
|-----------|------------------|-------|----|
| | W | H | D |
| CM8 | 96" | 2.25" | 2" |

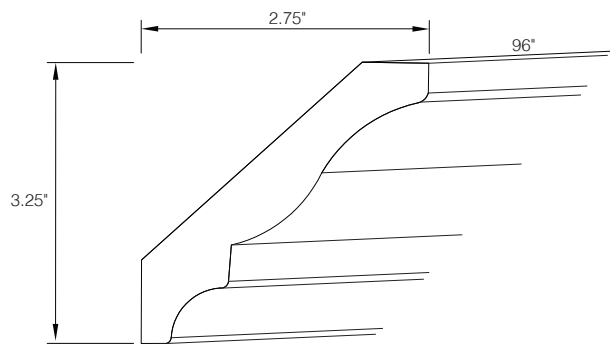
Royal Crown Molding



| Item Code | Outer Dimensions | | |
|-----------|------------------|-------|-------|
| | W | H | D |
| RCM8 | 96" | 3.25" | 2.75" |

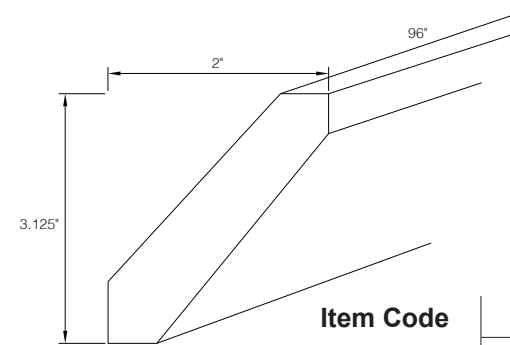
Rope and dentil molding can be used as inserts for royal crown molding

Large Crown Molding



| Item Code | Outer Dimensions | | |
|-----------|------------------|-------|-------|
| | W | H | D |
| BCM8 | 96" | 3.25" | 2.75" |

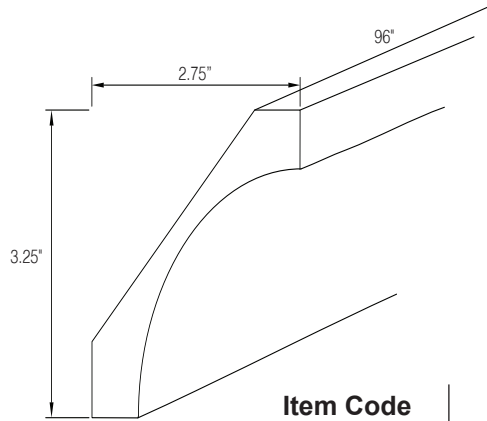
Shaker Crown Molding



| Item Code | Outer Dimensions | | |
|-----------|------------------|--------|----|
| | W | H | D |
| SCM8 | 96" | 3.125" | 2" |

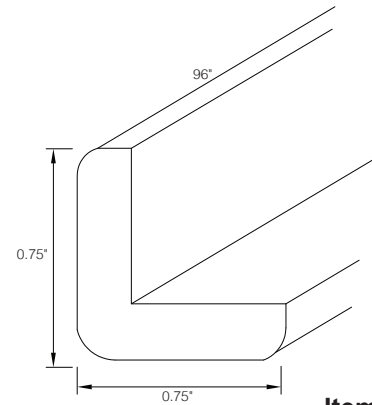
Molding width is 5.25"

Cove Crown Molding



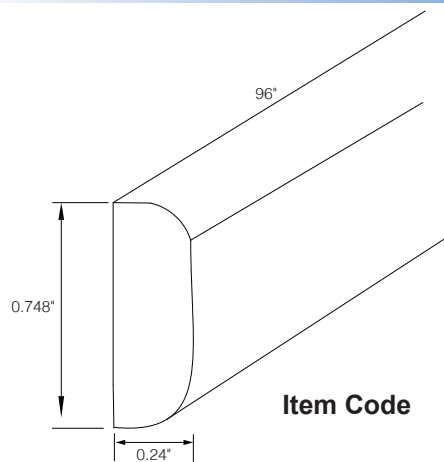
| Item Code | Outer Dimensions | | |
|-----------|------------------|-------|-------|
| | W | H | D |
| COM8 | 96" | 3.25" | 2.75" |

Outside Corner Molding



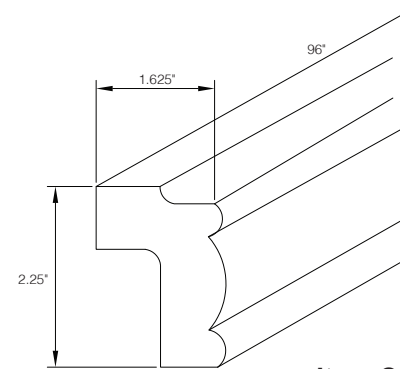
| Item Code | Outer Dimensions | | |
|-----------|------------------|-------|-------|
| | W | H | D |
| OCM8 | 96" | 0.75" | 0.75" |

Batton Molding



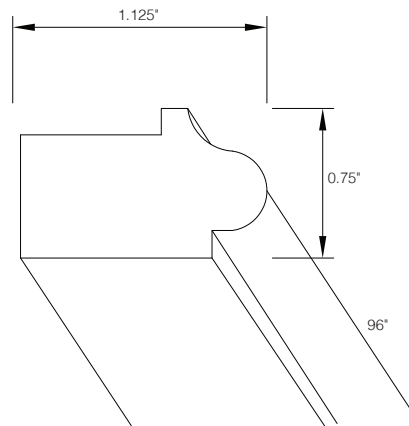
| Item Code | Outer Dimensions | | |
|-----------|------------------|--------|-------|
| | W | H | D |
| BAM8 | 96" | 0.748" | 0.24" |

Traditional Light Rail Molding



| Item Code | Outer Dimensions | | |
|-----------|------------------|-------|--------|
| | W | H | D |
| LRM8 | 96" | 2.25" | 1.625" |

Bottom Edge Molding



| Item Code | Outer Dimensions | | |
|-----------|------------------|-------|--------|
| | W | H | D |
| BEM8 | 96" | 0.75" | 1.125" |

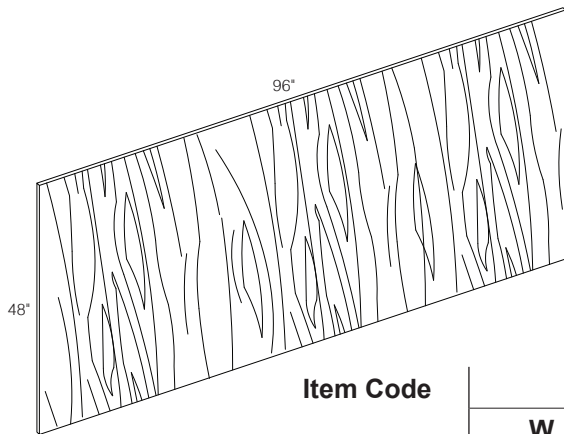
Back Panel - Long Grain



| Item Code | Outer Dimensions | | |
|-----------|------------------|-----|-------|
| | W | H | D |
| BPLG4896 | 96" | 48" | 0.25" |

Finished on one side

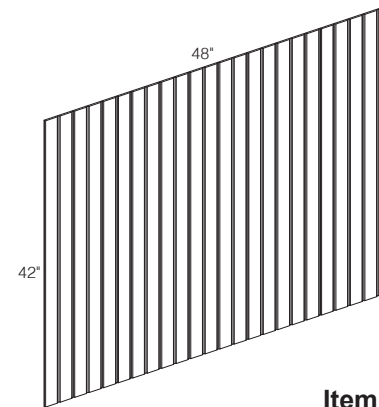
Back Panel - Short Grain



| Item Code | Outer Dimensions | | |
|-----------|------------------|-----|-------|
| | W | H | D |
| BPSG9648 | 96" | 48" | 0.25" |

Finished on one side

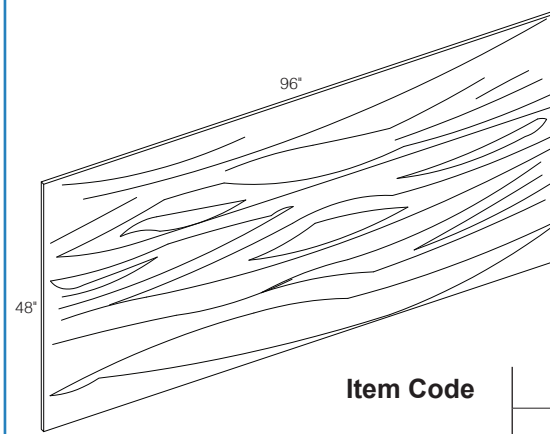
Bead Board



| Item Code | Outer Dimensions | | |
|-----------|------------------|-----|-------|
| | W | H | D |
| BBP4842 | 48" | 42" | 0.25" |

Finished on one side

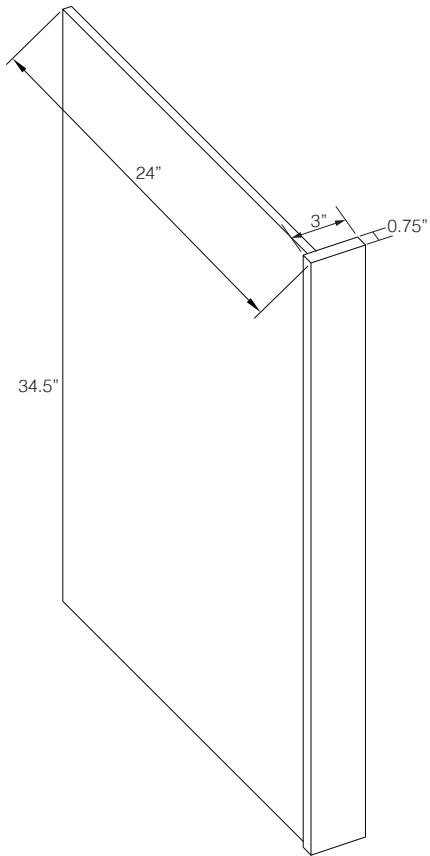
1/2" Thick Finished Plywood Panel



| Item Code | Outer Dimensions | | |
|-----------|------------------|-----|------|
| | W | H | D |
| PSP4896 | 96" | 48" | 0.5" |

Finished on one side and clear coat on the other side

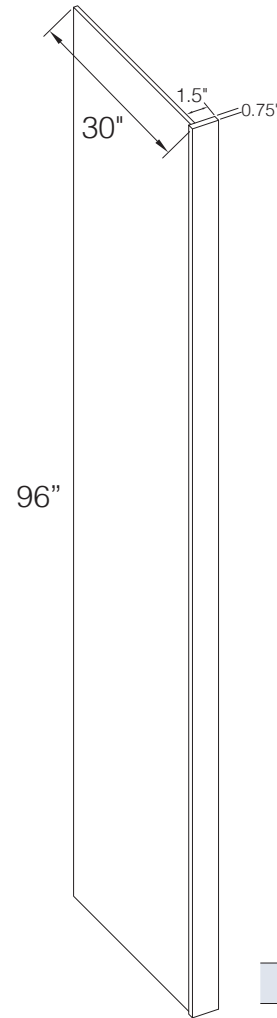
Dishwasher End Panel



| Item Code | Outer Dimensions | | |
|-----------|------------------|-------|-----|
| | W | H | D |
| DWR3 | 3" | 34.5" | 24" |

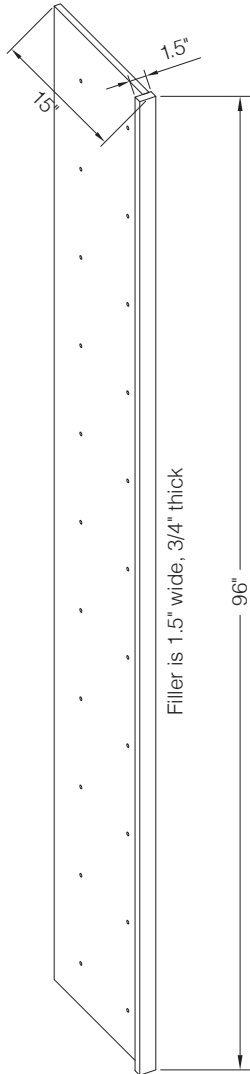
Filler is trimmable down to 1".

Tall End Panel (Refrigerator Panel)



| Item Code | Outer Dimensions | | |
|-----------|------------------|-----|-----|
| | W | H | D |
| TEP3096 | 1.5" | 96" | 30" |

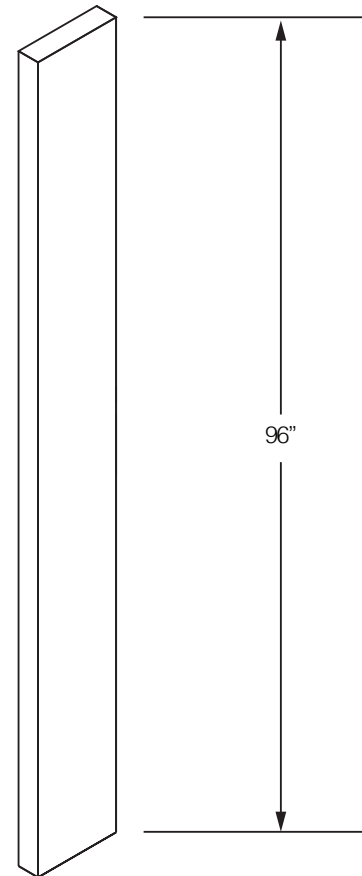
Bookcase End



| Item Code | Outer Dimensions | | |
|-----------|------------------|-----|-----|
| | W | H | D |
| BCE1596 | 1.5" | 96" | 15" |

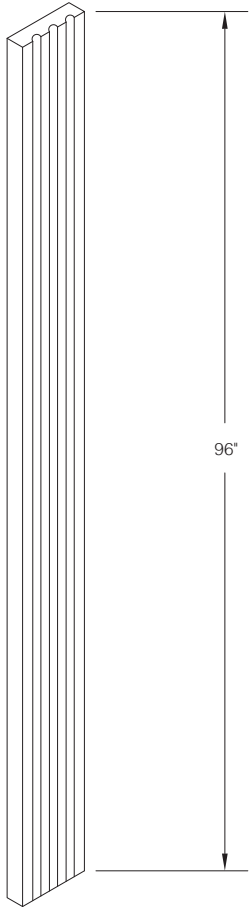
Does not include shelf or shelf clips.

Filler



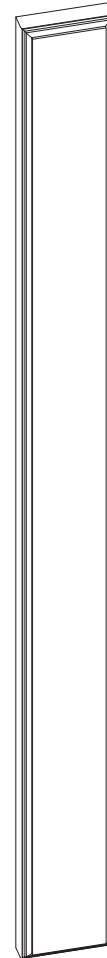
| Item Code | Outer Dimensions | | |
|-----------|------------------|-----|-------|
| | A | H | D |
| F396 | 3" | 96" | 0.75" |
| F696 | 6" | 96" | 0.75" |

Fluted Filler



| Item Code | Outer Dimensions | | |
|-----------|------------------|-----|-------|
| | W | H | D |
| FF396 | 3" | 96" | 0.75" |

Overlay Filler

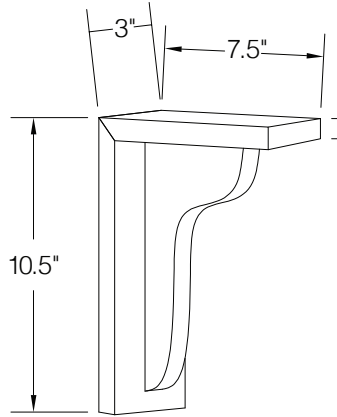


| Item Code | Size | | |
|-----------|------|--------|-------|
| | W | H | D |
| OLF330 | 2.5" | 28.75" | 0.75" |
| OLF336 | 2.5" | 34.75" | 0.75" |
| OLF342 | 2.5" | 40.75" | 0.75" |
| OLF630 | 5.5" | 28.75" | 0.75" |

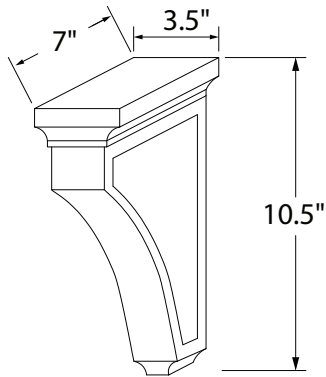
*All four edges finished

**Available only in Premier

Corbels

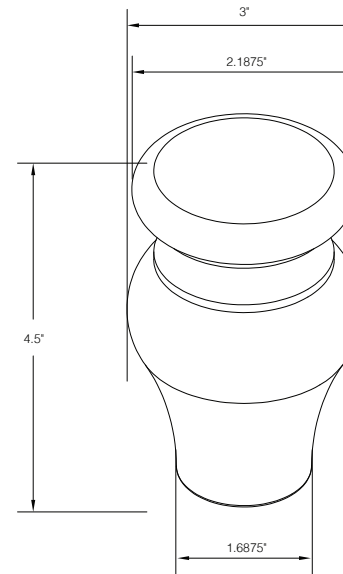


| Item Code | Outer Dimensions | | |
|-----------|------------------|-------|------|
| | W | H | D |
| CORSM | 3" | 10.5" | 7.5" |

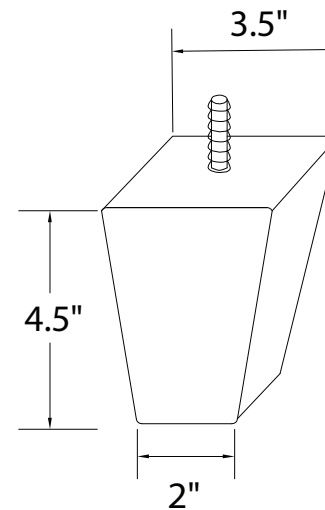


| Item Code | Outer Dimensions | | |
|-----------|------------------|-------|----|
| | W | H | D |
| CORT | 3.5" | 10.5" | 7" |

Bunfeet

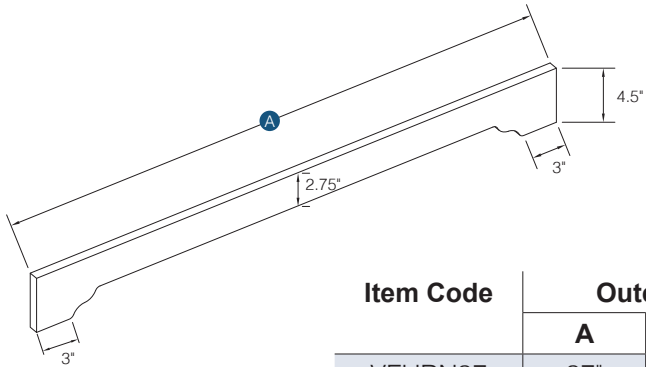


| Item Code | Outer Dimensions | | |
|-----------|------------------|------|----|
| | W | H | D |
| TBUNFOOT | 3" | 4.5" | 3" |



| Item Code | Outer Dimensions | | |
|-----------|------------------|------|--------|
| | W | Top | Bottom |
| TBUNFOOT2 | 4.5" | 3.5" | 2" |

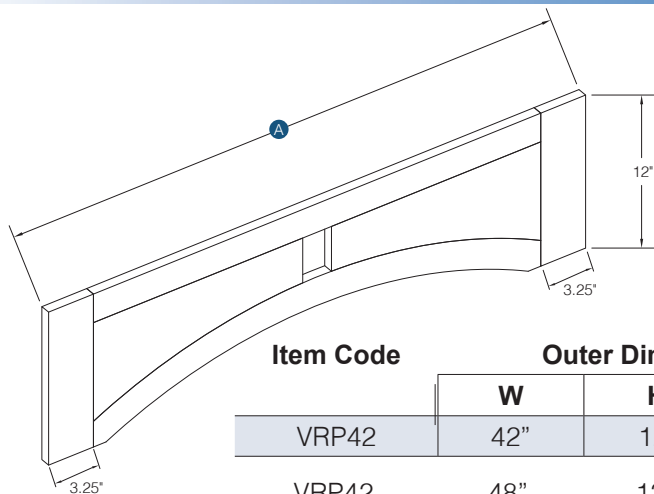
Furniture Valance



| Item Code | Outer Dimensions | | |
|-----------|------------------|------|-------|
| | A | H | D |
| VFURN37 | 37" | 4.5" | 0.75" |

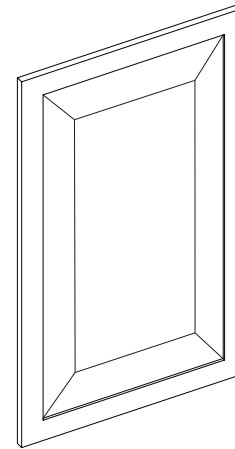
Can be trimmed up to 3" off each side.

Raised Panel Valance



| Item Code | Outer Dimensions | | |
|-----------|------------------|-----|-------|
| | W | H | D |
| VRP42 | 42" | 12" | 0.75" |
| VRP42 | 48" | 12" | 0.75" |

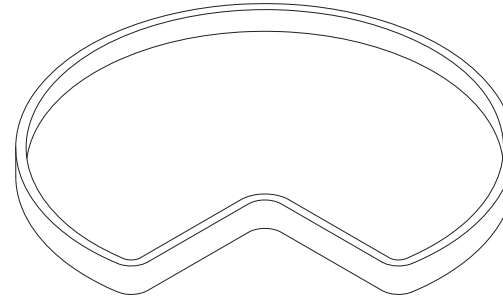
Decorative Base/Wall Panel



| Item Code | Door Size | |
|-----------|-----------|--------|
| | W | H |
| DWP1230 | 11.5" | 28.75" |
| DWP1236 | 11.5" | 34.75" |
| DWP1242 | 11.5" | 40.75" |
| DWP2430 | 23.5" | 28.75" |

Panel matches door profile

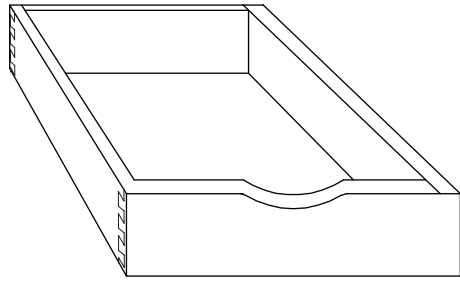
Lazy Susan Kit



| Item Code | Outer Dimensions | | |
|-----------|------------------|------|-----|
| | W | H | D |
| LSK | 29" | 1.5" | 29" |

Designed to fit ER33 or ER36
Two trays per set.

Roll Out Tray



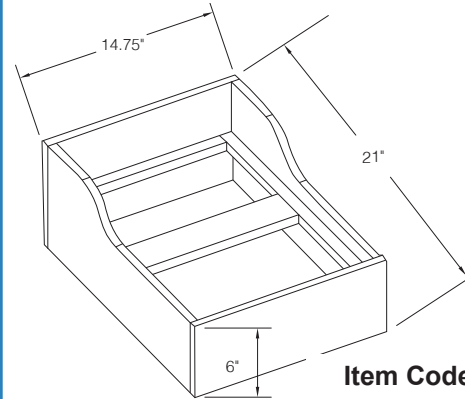
| Item Code | Size | | |
|-----------|---------|----|-----|
| | W | H | D |
| ROT15-SC | 11.125" | 4" | 21" |
| ROT18-SC | 14.125" | 4" | 21" |
| ROT21-SC | 17.125" | 4" | 21" |
| ROT24-SC | 20.125" | 4" | 21" |
| ROT27-SC | 23.125" | 4" | 21" |
| ROT30-SC | 26.125" | 4" | 21" |
| ROT33-SC | 29.125" | 4" | 21" |
| ROT36-SC | 32.125" | 4" | 21" |

*Includes two trays & four tracks

Roll Out Tray Usage Guide

| Item Code | Designed to Fit |
|-----------|--------------------------------|
| ROT15-SC | B15 |
| ROT18-SC | B18, P1884, P1890, P1896 |
| ROT21-SC | B21, B24 |
| ROT24-SC | B24, P2484, P2490, P2496 |
| ROT27-SC | B27 |
| ROT30-SC | B30, SB30, P3084, P3090, P3096 |
| ROT33-SC | B33, V33, SB33 |
| ROT36-SC | B36, SB36 |

Trash Can Insert for B18



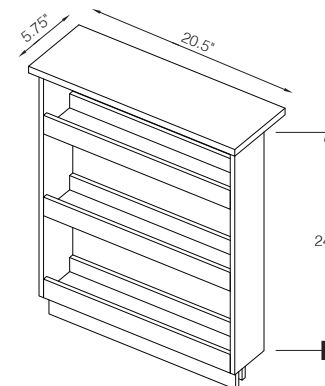
| Item Code | Outer Dimensions | | |
|-----------|------------------|----|-----|
| | W | H | D |
| TCCK* | 14.75" | 6" | 21" |

*Includes two 35 QT cans

*Dovetail, solid wood construction

*Undermount, full extension, soft close slides

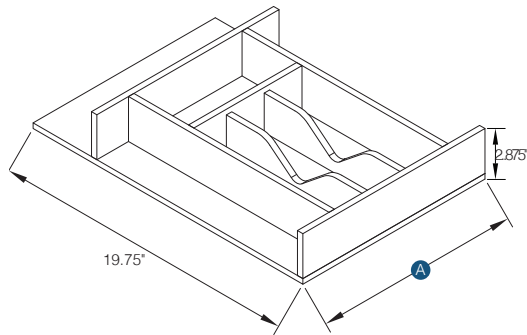
Spice Rack Insert



| Item Code | Outer Dimensions | | |
|-----------|------------------|-----|-------|
| | W | H | D |
| SR19 | 5.75" | 24" | 20.5" |

Slides included, designed to fit B09, measurements include slides

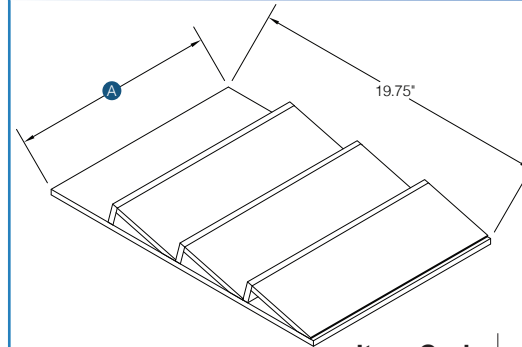
Cutlery Drawer Insert



| Item Code | Size | | |
|-----------|---------|--------|--------|
| | A | H | D |
| CDI14 | 13.375" | 2.875" | 19.75" |
| CDI20 | 19.75" | 2.875" | 19.75" |

CDI14 designed to fit B18 drawer. Can be trimmed to fit B
 CDI20 designed to fit B24 drawer. Can be trimmed to fit B

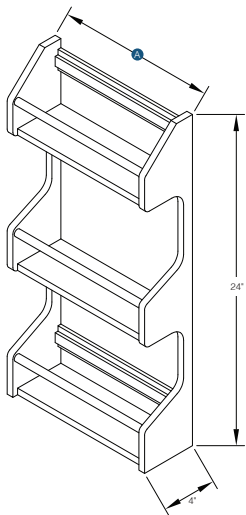
Spice Rack Tray Insert



| Item Code | Outer Dimensions | | |
|-----------|------------------|----------|--------|
| | A | H | D |
| STI14 | 13.375" | 1.09375" | 19.75" |
| STI20 | 19.75" | 1.09375" | 19.75" |

STI14 designed to fit B18 drawer. Can be trimmed to fit B1
 STI20 designed to fit B24 drawer. Can be trimmed to fit B

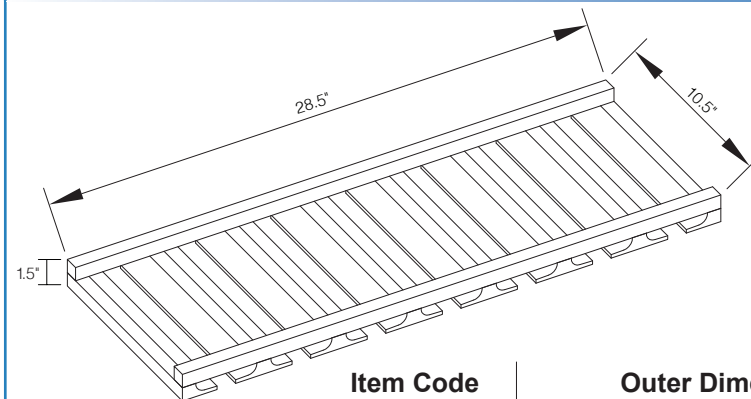
Spice Rack Door Attachment



| Item Code | Size | | |
|-----------|-------|-----|----|
| | A | H | D |
| SRD12 | 11.5" | 24" | 4" |
| SRD15 | 14.5" | 24" | 4" |

SRD12 designed to attach to 17.5" door. e.g. (W1830 or W3630)
 SRD15 designed to attach to 20.5" door. e.g. (W2130 or W4230)

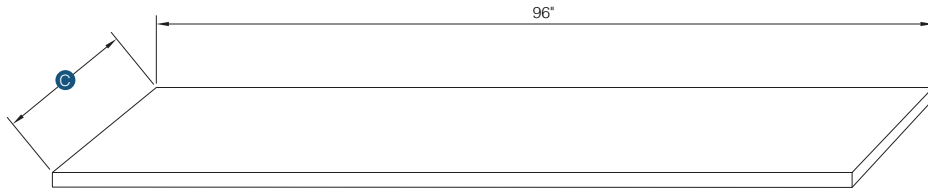
Stemware Rack



| Item Code | Outer Dimensions | | |
|-----------|------------------|------|-------|
| | W | H | D |
| SWR3012 | 28.5" | 1.5" | 10.5" |

Designed to fit under wine rack

Shelf



| Item Code | Outer Dimensions | | |
|-----------|------------------|--------|-----|
| | W | H | C |
| SHELF1296 | 96" | 0.625" | 12" |
| SHELF2496 | 96" | 0.625" | 24" |

Shelf1296 available in Natural
Shelf2496 available in Natural only.

Colorado Pull



Shown In Matte Black

Square Knob



Shown In Rose Gold

Bar Pull Knob



Shown In Rubbed Oil Bronze

Bar Pull



Shown In Satin Nickel

Manhattan Pull



Shown In Rose Gold

Colorado Knob



Shown In Polished Chrome

Miami Pull



Shown In Dark Pewter

Round Flat Top Knob



Shown In Dark Pewter

Diecast Knob



Shown In Dark Pewter

Modern Square Pull



Shown In Matte Black

Available Finishes



Rose Gold



Satin Nickel



Matte Black



Polished Chrome



Stainless Steel



Brushed Bronze

M4U Platinum

Your personalized experience awaits!

support@mad4cabinetry.com

FAX: 754-203-2010

TOLL FREE: 855-461-2010

www.Mad4Cabinetry.com