

# Framed Fully Assembled



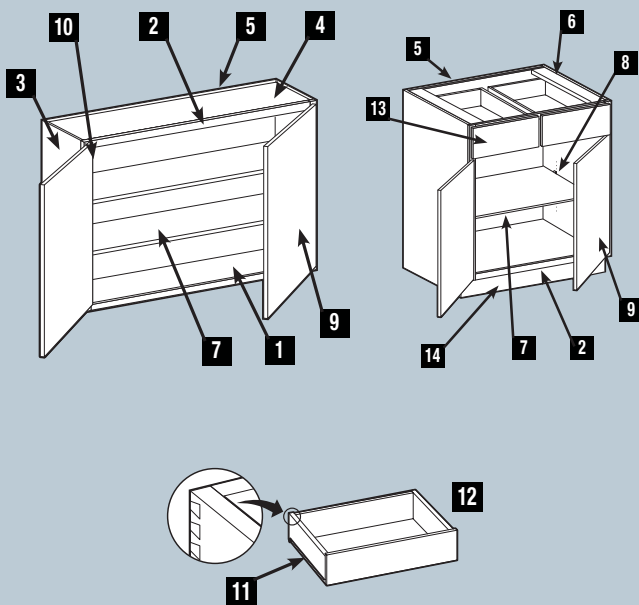
Presents



Manchester  
High Gloss White



Manchester  
High Gloss Metallic



**1. INTERIOR:** Natural birch vinyl laminate provides a durable, wipe clean finish.

**2. FACE FRAME:** 1½" wide x 3/4" thick painted solid hardwood, pocket screwed.

**3. END PANELS:** 1/2" thick CARB2 plywood, exterior vinyl laminate is color matched to face frame.

**4. FLOOR & CEILING:** 1/2" thick CARB2 plywood, both sides captured by end panels.

**5. BACK PANELS:** 1/2" thick CARB2 plywood with natural birch vinyl laminate interior and raw exterior. The "clipped" back panels on Wall Angle and Easy Reach Corner cabinets will be 1/4."

**6. "I-BEAM" SUPPORTS:** 1/2" thick CARB2 plywood, full depth braces provide stability and support for countertop attachment.

**7. ADJUSTABLE SHELVES:** 3/4" thick CARB2 plywood with natural birch vinyl laminate both sides with matching edgebanding. Base and wall adjustable shelves are full depth.

**8. SHELF SUPPORTS:** Clear, high strength plastic with locking top tab to prevent shelf tip. Provides easy shelf adjustment.

**9. DOORS:** Contemporary, full-overlay doors available in a durable melamine finish. See page 2-5 for details.

**10. HINGES:** Fully concealed 110° opening Soft Close hinges with 6-way adjustment for ease of alignment.

**11. RUNNERS/ GLIDES:** Drawers feature smooth gliding, full extension, ball bearing runners with Soft Closing shocks that engage when drawer is 1" from closed. Interior roll out trays have epoxy coated side mount runners. Both are rated for 100lb static and 75lb dynamic loads.

**12. DRAWERS & ROLL-OUT TRAYS:** 5/8" thick finger jointed hardwood four sided dovetail box construction, finished with a clear topcoat and a 1/4" thick captured plywood floor.

**13. DRAWER FRONTS:** Contemporary, full-overlay drawers available in a durable melamine finish. The top drawer front is 8" high & the bottom two drawer fronts are 10 1/2" high See page 2-5 for details.

**14. INTEGRAL TOE KICK:** 1/2" thick plywood secured between end panels. Provides solid backing for installation of Toe Kick Filler Strip (TKFS8) or other materials such as ceramic, vinyl, etc.