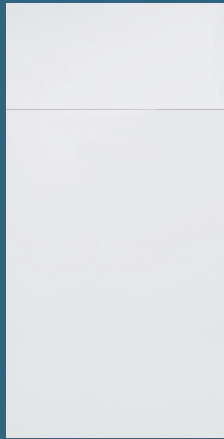




Presents



Palmetto High Gloss
Coconut White - Frameless



Palmetto Textured
Silk White - Frameless



Palmetto Textured
Iron Grey - Frameless



Palmetto Textured
Dark Cocoa - Frameless



All RTA orders over \$4,000 ship & deliver for free!

PALMETTO TEXTURED

(*Specifications subject to change without notice)



SILK WHITE



IRON GREY



DARK COCOA

- Frameless Full Access Construction
- Horizontal Textured Melamine Woodgrain Engineered Wood Slab Front with Matching Back
- Universal 18mm Plywood Composite Cabinet Box with a Grey Linen Thermofused Melamine Inside & Out
- Full Extensión Soft- Close Orion Grey Drawer Box
- Blum Legra Upgrade Available
- Full Depth 18mm Adjustable Shelf with Full Edge Banding
- Hettich Sensys Adjustable 110° Soft-Close Hinges
- Leg System

PALMETTO HIGH GLOSS

(*Specifications subject to change without notice)



COCONUT WHITE

- Frameless Full Access Construction
- High Gloss PET Laminate Engineered Wood Slab Front With White Melamine Back
- Universal 18mm Plywood Composite Cabinet Box with a Grey Linen Thermofused Melamine Inside & Out
- Full Extensión Soft- Close Orion Grey Drawer Box
- Blum Legra Upgrade Available
- Full Depth 18mm Adjustable Shelf with Full Edge Banding
- Hettich Sensys Adjustable 110° Soft-Close Hinges
- Leg System

PRODUCT SPECIFICATIONS

Wall cabinets

Two Door 13.5" Deep Stacker Wall Cabinets

MODEL
W2412
W3012
W3312
W3612
W2415
W3015
W3315
W3615
W2418
W3018
W3318
W3618

One Door 13.5" Deep Stacker Wall Cabinets

MODEL
W1223
W1523
W1823
W2123
W2423S

Two Door 13.5" Deep Stacker Wall Cabinets

MODEL
W2423
W2723
W3023
W3323
W3623

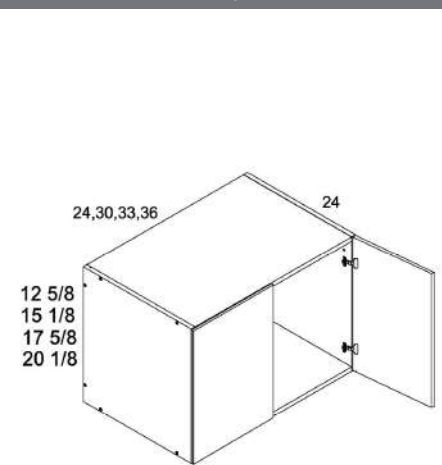
One Door 24" Deep Stacker Wall Cabinets

MODEL
W121224
W151224
W181224
W121824
W151824
W181824

PRODUCT SPECIFICATIONS

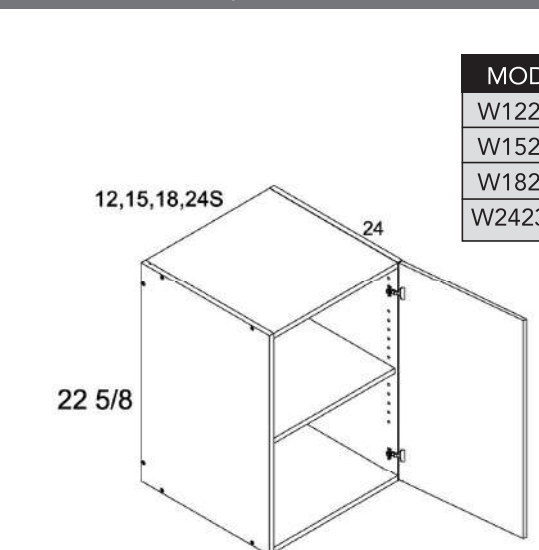
Wall cabinets

Two Door 24" Deep Stacker Wall Cabinets



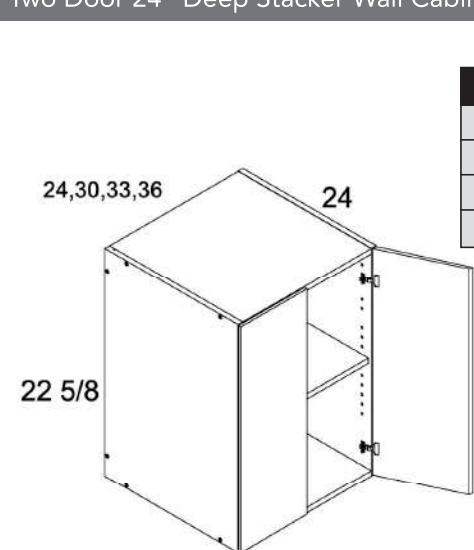
MODEL
W241224
W301224
W331224
W361224
W361524
W241824
W301824
W331824
W361824
W362024

One Door 24" Deep Stacker Wall Cabinets



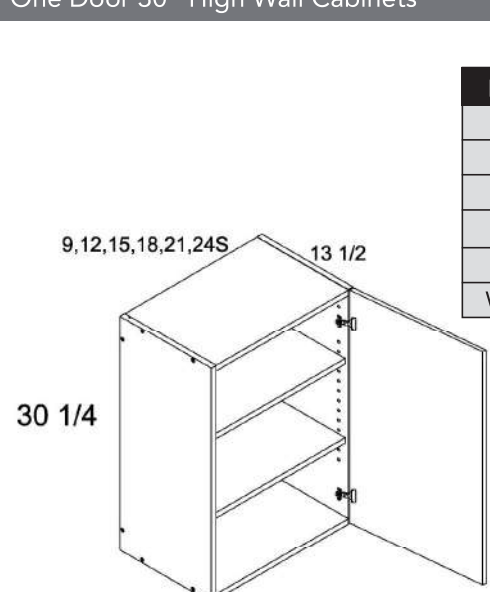
MODEL
W122324
W152324
W182324
W242324S

Two Door 24" Deep Stacker Wall Cabinets



MODEL
W242324
W302324
W332324
W362324

One Door 30" High Wall Cabinets



MODEL
W0930
W1230
W1530
W1830
W2130
W2430S

PRODUCT SPECIFICATIONS

Wall cabinets

Two Door 30" High Wall Cabinets

MODEL
W2430
W2730
W3030
W3330
W3630

One Door 35" High Wall Cabinets

MODEL
W0935
W1235
W1535
W1835
W2135

Two Door 35" High Wall Cabinets

MODEL
W2435
W2735
W3035
W3335
W3635

One Door 40" High Wall Cabinets

MODEL
W0940
W1240
W1540
W1840
W2140

PRODUCT SPECIFICATIONS

Wall cabinets

Two Door 40" High Wall Cabinets

24,27,30,33,36

13 1/2

40 1/4

MODEL
W2440
W2740
W3040
W3340
W3640

13.5" Deep Flip Up Wall Cabinets

24,27,30,33,36

12 5/8
15 1/8
17 5/8

13 1/2

MODEL
WFD2412
WFD2712
WFD3012
WFD3312
WFD3612
WFD2415
WFD2715
WFD3015
WFD3315
WFD3615
WFD2418
WFD2718
WFD3018
WFD3318
WFD3618

24" Deep Flip Up Wall Cabinets

24,30,33,36

12 5/8
15 1/8
17 5/8

24

MODEL
WFD241224
WFD241824
WFD301224
WFD301824
WFD331224
WFD331824
WFD361224
WFD361524
WFD361824

Wall Blind Corner Cabinets

30 1/4
35 1/4
40 1/4

13 1/2

15

W

L

MODEL
WBC24/2730
WBC27/3030
WBC30/3330
WBC33/3630
WBC36/3930
WBC24/2735
WBC27/3035
WBC30/3335
WBC33/3635
WBC36/3935
WBC24/2740
WBC27/3040
WBC30/3340
WBC33/3640
WBC36/3940

CABINET PULL CHART		
CABINET	MIN.	MAX.
WBC24/27	24	27
WBC27/30	27	30
WBC30/33	30	33
WBC33/36	33	36
WBC36/39	36	39

CODE	W	L
WBC24/27	24	9
WBC27/30	27	12
WBC30/33	30	15
WBC33/36	33	18
WBC36/39	36	21

Filler required to join to adjacent cabinet (purchased separately).

PRODUCT SPECIFICATIONS

Wall cabinets

Wall Easy Reach Corner Cabinets

MODEL
WER2430
WER2435

24 24
 30 1/4
 35 1/4

Wall Easy Reach Corner Cabinets

MODEL
WER2440

24 24
 40 1/4

Specialty Walls - Floating Shelves

MODEL
FS36
FS48
FS60

1 15/16 13
 36.48.60

36"W Floating Shelf only has one mounting bracket.

PRODUCT SPECIFICATIONS

Base cabinets

Base Rollout with Basket Pullout

MODEL
BPO6FH

Base Rollout with Tray Pullout

MODEL
BPO9FHL
BPO9FHR
BPO12FHL
BPO12FHR

The L/R determines the side of the cabinet that the pullout is mounted.

Full Height One Door Bases

MODEL
BT9FH
B12FH
B15FH
B18FH
B21FH
B24SFH

Full Height Two Door Bases

MODEL
B24FH
B27FH
B30FH
B33FH
B36FH
B42FH

PRODUCT SPECIFICATIONS

Base cabinets

One Door One Drawer Bases

MODEL
B12
B15
B18
B21
B24S

Two Door One Drawer Bases

MODEL
B24
B27
B30
B33
B36

Two Drawer Bases

MODEL
2DB12
2DB15
2DB18
2DB21
2DB24
2DB27
2DB30
2DB33
2DB36
2DB42

Two Drawer Bases with One Inner Drawer

MODEL
2DBID12
2DBID15
2DBID18
2DBID21
2DBID24
2DBID27
2DBID30
2DBID33
2DBID36

PRODUCT SPECIFICATIONS

Base cabinets

Two Drawer Bases with Two Inner Drawers

MODEL
2DB2ID12
2DB2ID15
2DB2ID18
2DB2ID21
2DB2ID24
2DB2ID27
2DB2ID30
2DB2ID33
2DB2ID36

Three Drawer Bases

MODEL
3DB12
3DB15
3DB18
3DB21
3DB24
3DB27
3DB30
3DB33
3DB36

Four Drawer Bases

MODEL
4DB12
4DB15
4DB18
4DB21
4DB24
4DB27
4DB30
4DB33
4DB36

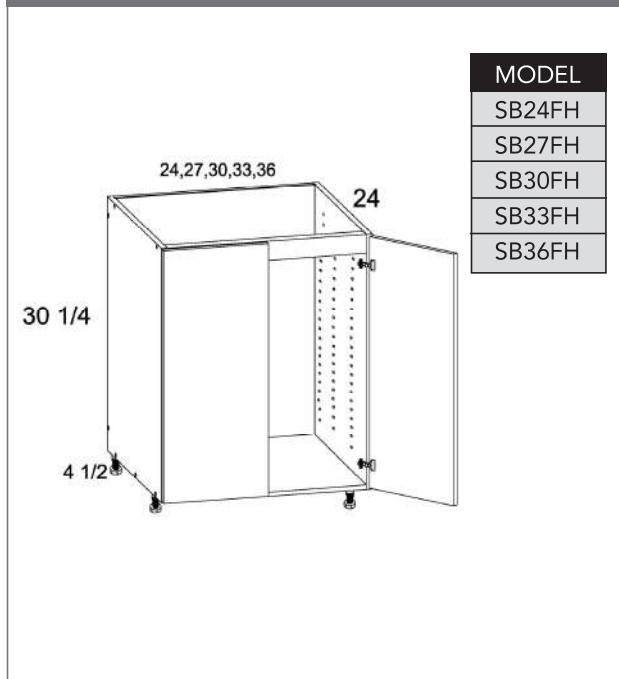
Full Height One Door Sink Bases

MODEL
SB24SFH

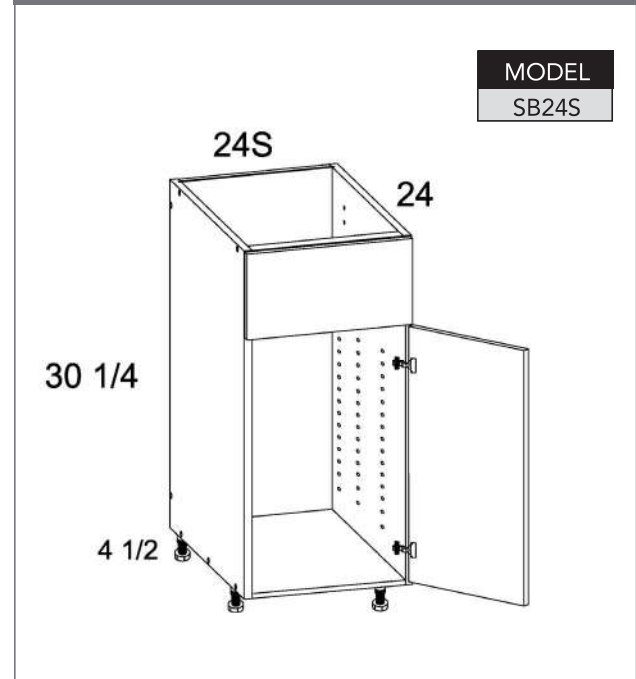
PRODUCT SPECIFICATIONS

Base cabinets

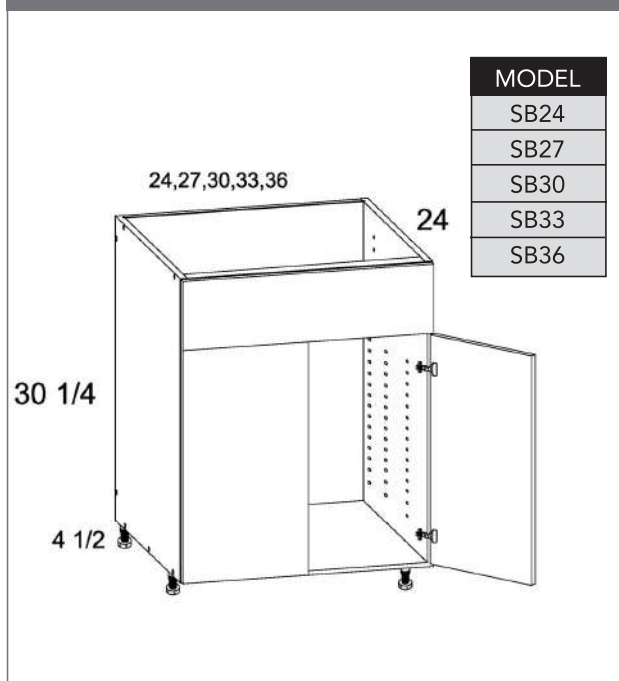
Full Height Two Door Sink Bases



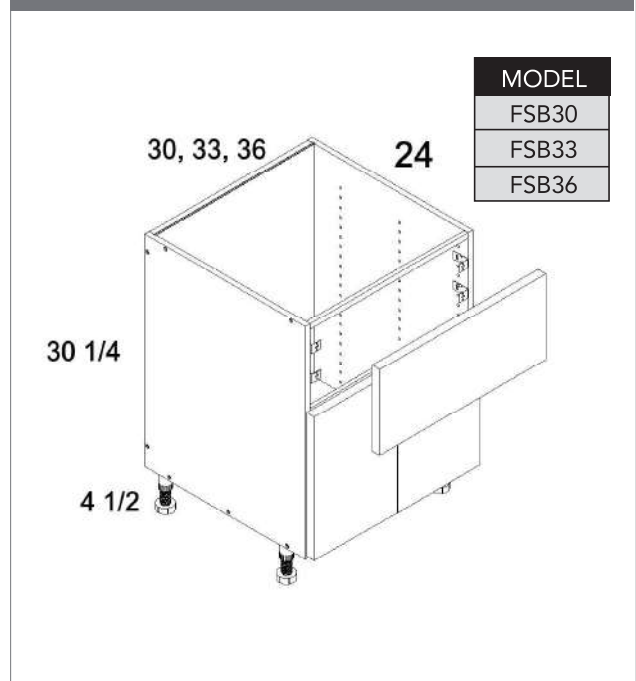
One Door with False Front Sink Bases



Two Door with False Front Sink Bases



Farm Sink Bases



PRODUCT SPECIFICATIONS

Base cabinets

Two Drawer Range Bases

MODEL
RB2DB24
RB2DB27
RB2DB30
RB2DB33
RB2DB36

Two Drawer with False Front Range Bases

MODEL
RB3DB24
RB3DB27
RB3DB30
RB3DB33
RB3DB36

Three Drawer with False Front Range Bases

MODEL
RB4DB24
RB4DB27
RB4DB30
RB4DB33
RB4DB36

Full Height One Door Blind Bases

MODEL
BBC37/40FH
BBC40/43FH
BBC43/46FH
BBC46/49FH
BBC49/52SFH

CABINET PULL CHART				
CABINET	MIN.	MAX.	CODE	
BBC37/40FH	37	40	BBC37/40FH	30 12
BBC40/43FH	40	43	BBC40/43FH	33 15
BBC43/46FH	43	46	BBC43/46FH	36 18
BBC46/49FH	46	49	BBC46/49FH	36 21
BBC49/52SFH	49	52	BBC49/52FH	42 24

Filler required to join to adjacent cabinet (purchased separately).

PRODUCT SPECIFICATIONS

Base cabinets

Full Height Two Door Blind Bases

MODEL	
BBC49/52FH	BBC52/55FH

CABINET PULL CHART					
CABINET	MIN.	MAX.	CODE	W	L
BBC49/52FH	49	52	BBC49/52	42	24
BBC52/55FH	52	55	BBC52/55	45	27

Filler required to join to adjacent cabinet (purchased separately).

Base Easy Reach

MODEL	
BER33	BER36

Base Easy Reach with Lazy Susan Tray

MODEL	
LSB33	LSB36

Microwave Bases

MODEL	
BMW27	BMW30

PRODUCT SPECIFICATIONS

Base cabinets

Full Height One Door Desk Bases

MODEL
DDO12
DDO15
DDO18
DDO24S

Full Height Two Door Desk Bases

MODEL
DDO24
DDO30
DDO33
DDO36

Two Drawer Desk Bases

MODEL
DDR2DB12
DDR2DB15
DDR2DB18
DDR2DB24
DDR2DB30
DDR2DB33
DDR2DB36

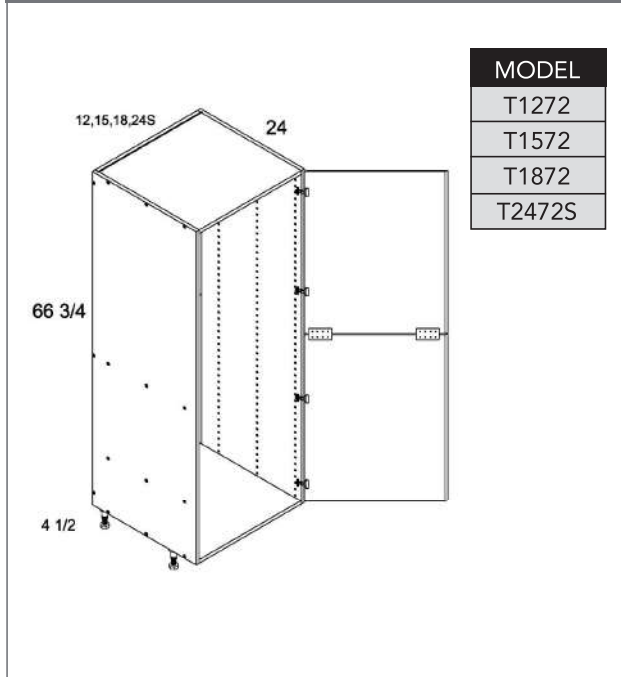
Three Drawer Desk Bases

MODEL
DDR3DB12
DDR3DB15
DDR3DB18
DDR3DB24
DDR3DB30
DDR3DB33
DDR3DB36

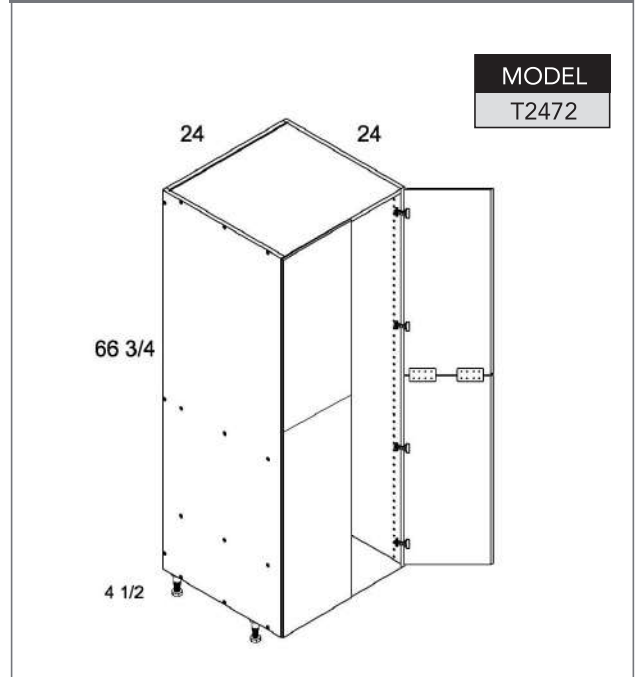
PRODUCT SPECIFICATIONS

Tall cabinets

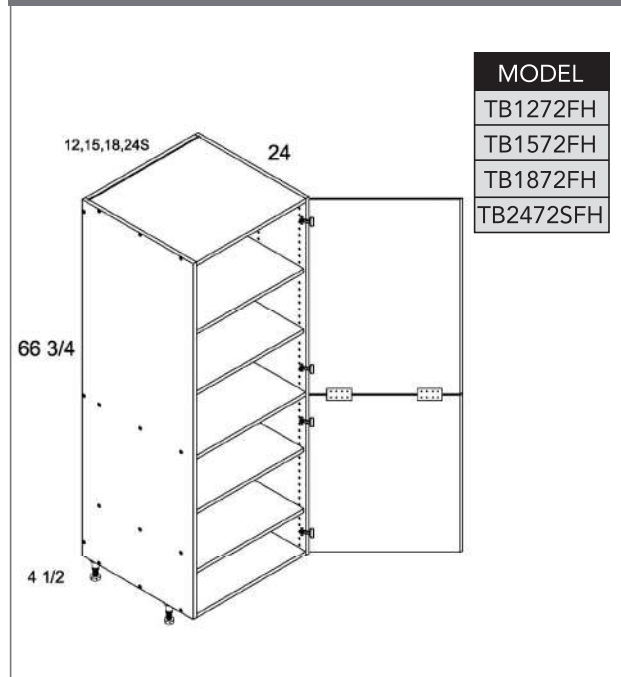
Tall Two Door Open Utility



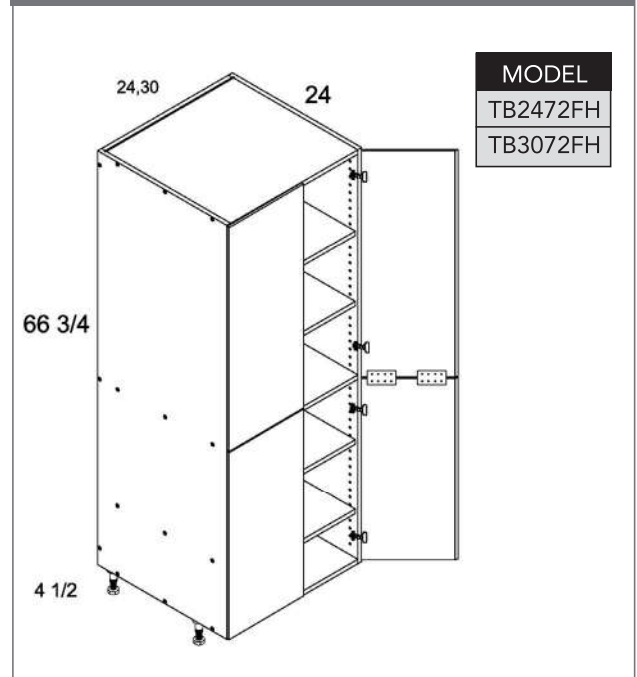
Tall Four Door Open Utility



Tall Two Door Utility with Shelves



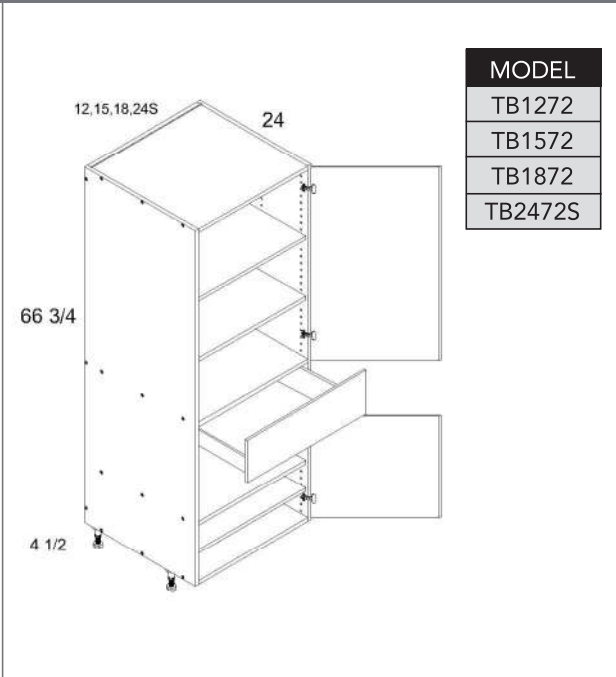
Tall Four Door Utility with Shelves



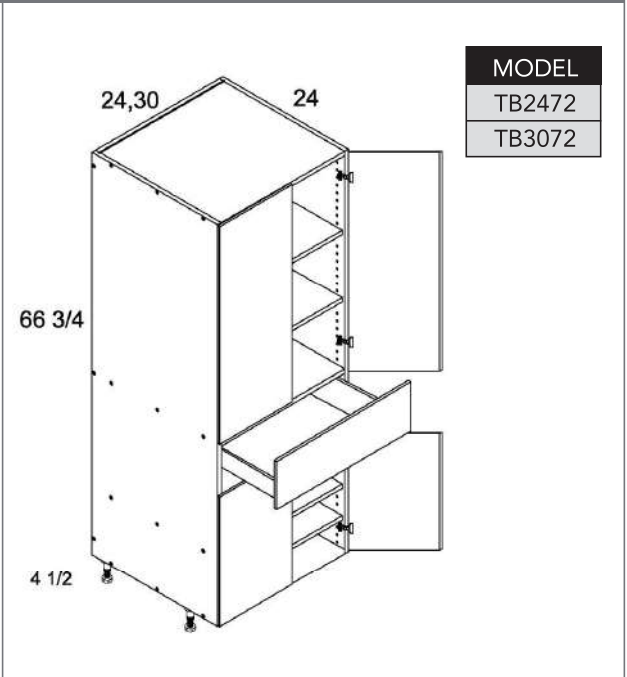
PRODUCT SPECIFICATIONS

Tall cabinets

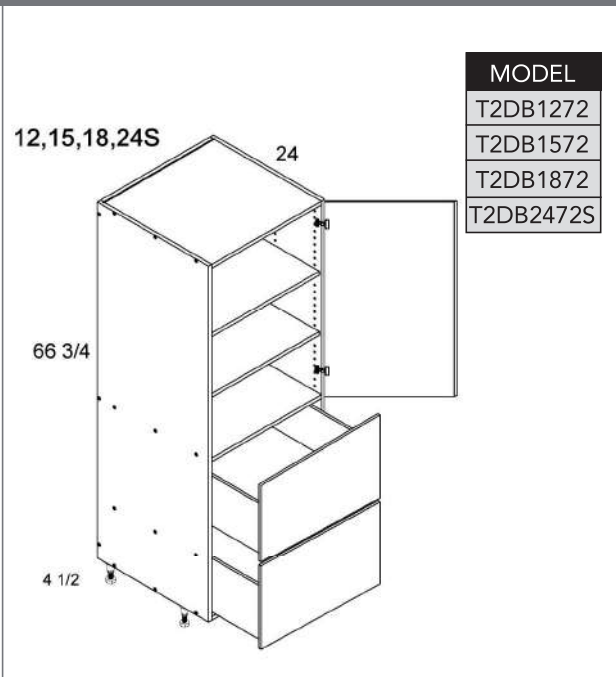
Tall Two Door One Drawer Utility



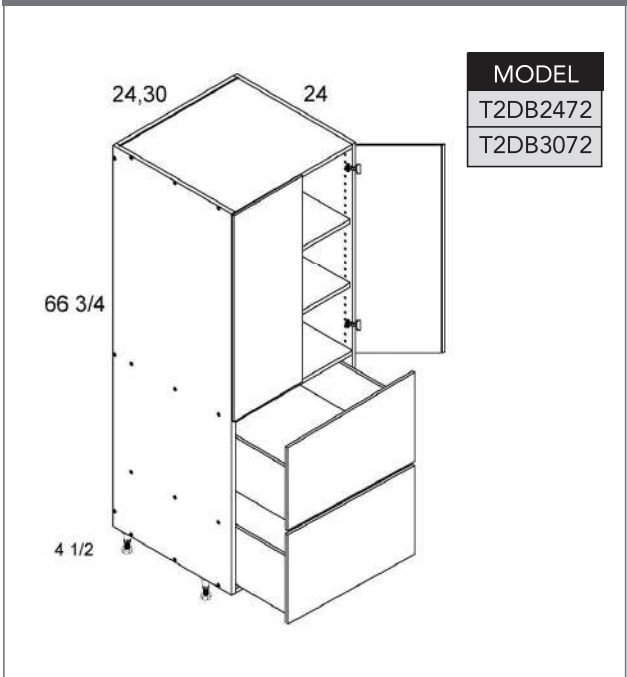
Tall Four Door One Drawer Utility



Tall One Door Two Drawer Utility



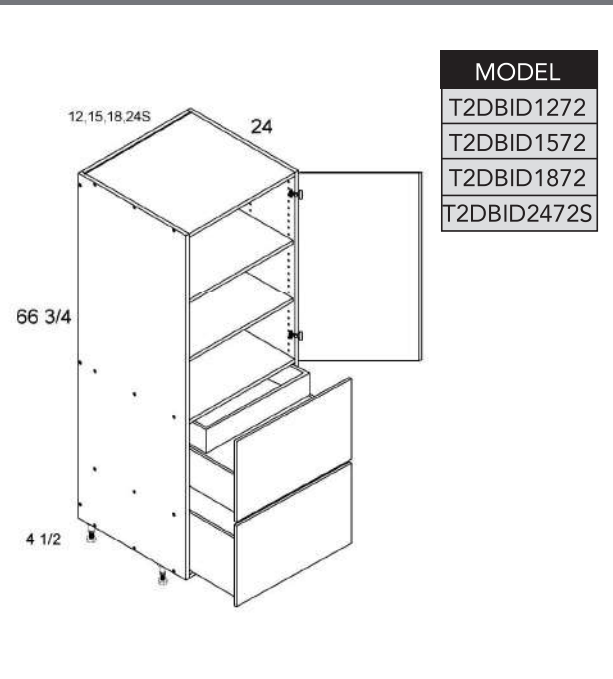
Tall Two Door Two Drawer Utility



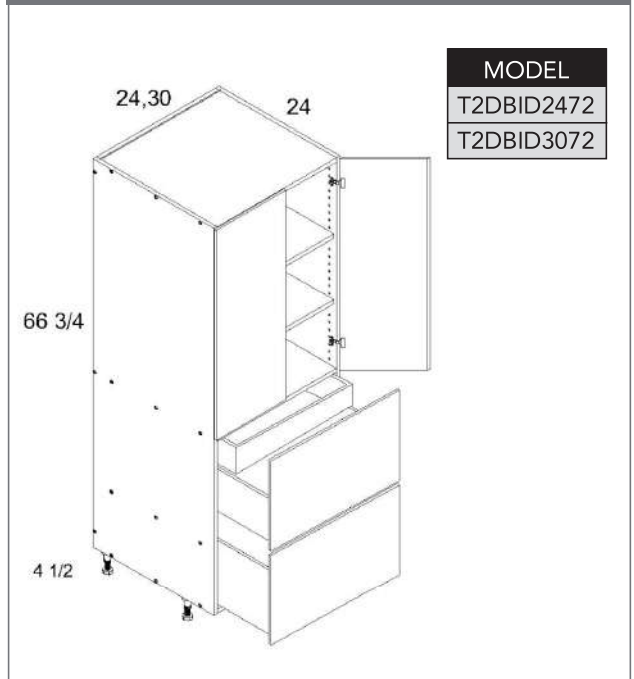
PRODUCT SPECIFICATIONS

Tall cabinets

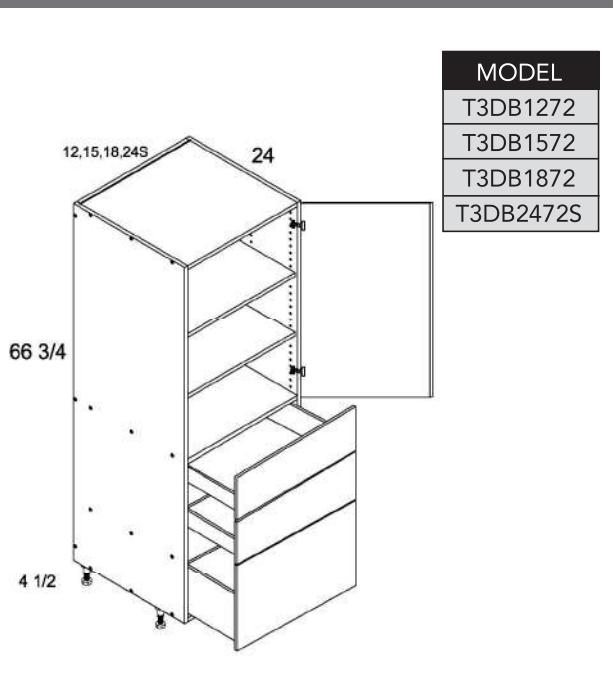
Tall One Door Two Drawer with One Inner Drawer Utility



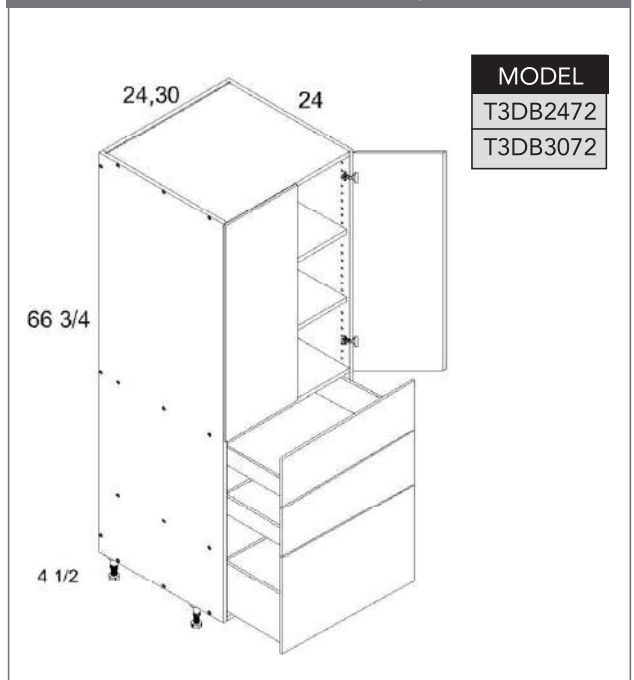
Tall Two Door Two Drawer with One Inner Drawer Utility



Tall One Door Three Drawer Utility



Tall Two Door Three Drawer Utility



PRODUCT SPECIFICATIONS

Tall cabinets

Tall One Door Four Drawer Utility

MODEL
T4DB1272
T4DB1572
T4DB1872
T4DB2472S

Tall Two Door Four Drawer Utility

MODEL
T4DB2472
T4DB3072

Tall Single Oven Full Height Two Door Utility

MODEL
TOS3072FH

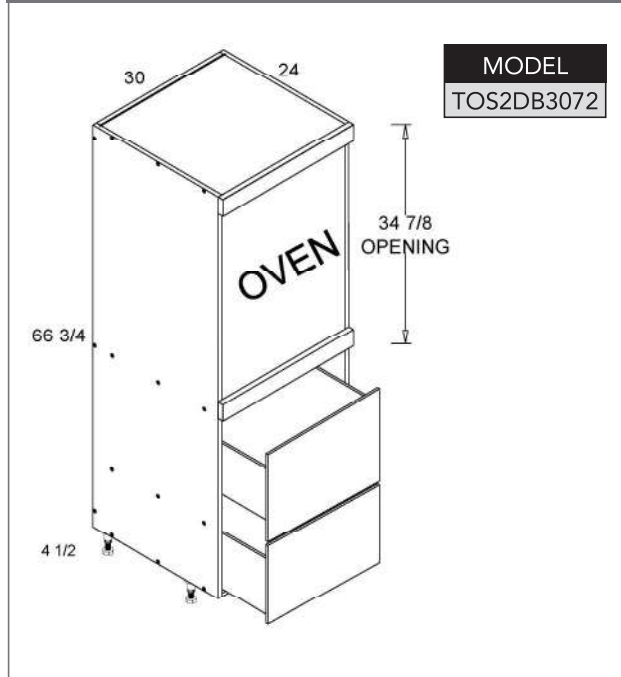
Tall Single Oven Two Door One Drawer Utility

MODEL
TOSB3072

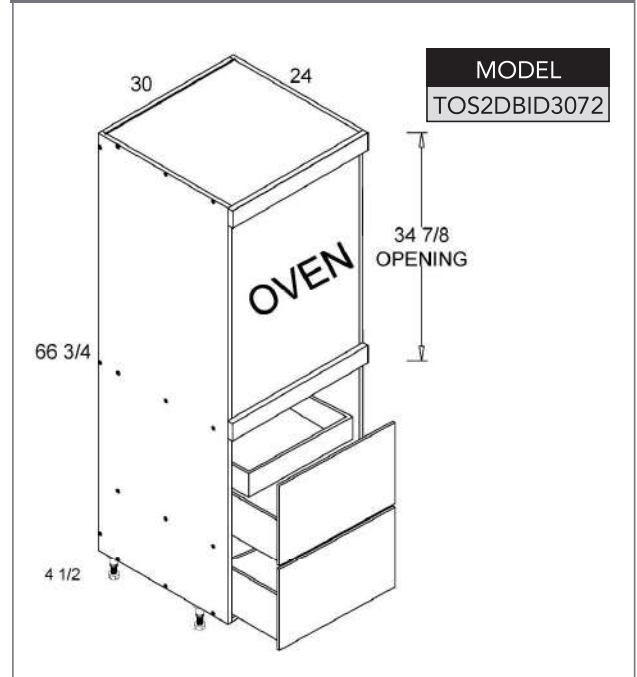
PRODUCT SPECIFICATIONS

Tall cabinets

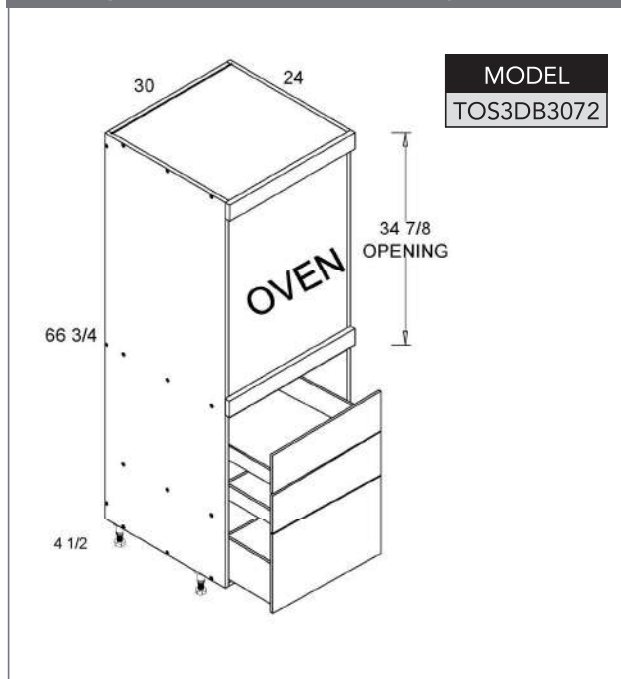
Tall Single Oven Two Drawer Utility



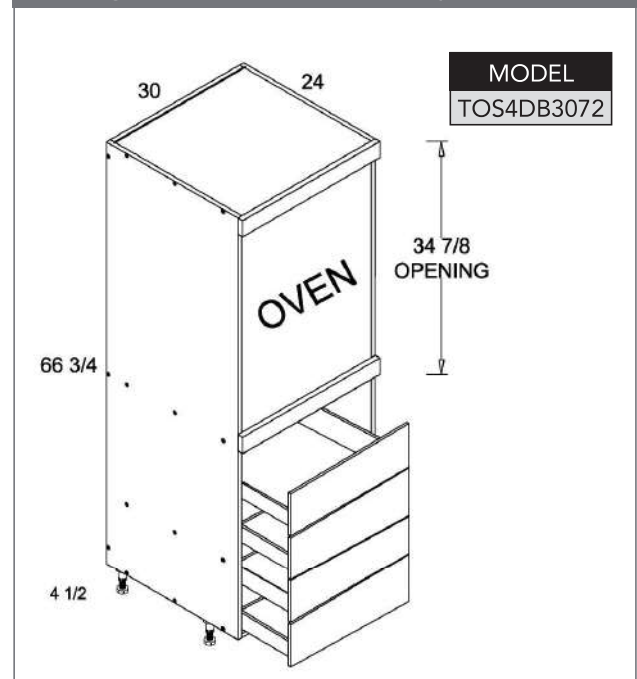
Tall Single Oven Two Drawer with One Inner Drawer Utility



Tall Single Oven Three Drawer Utility

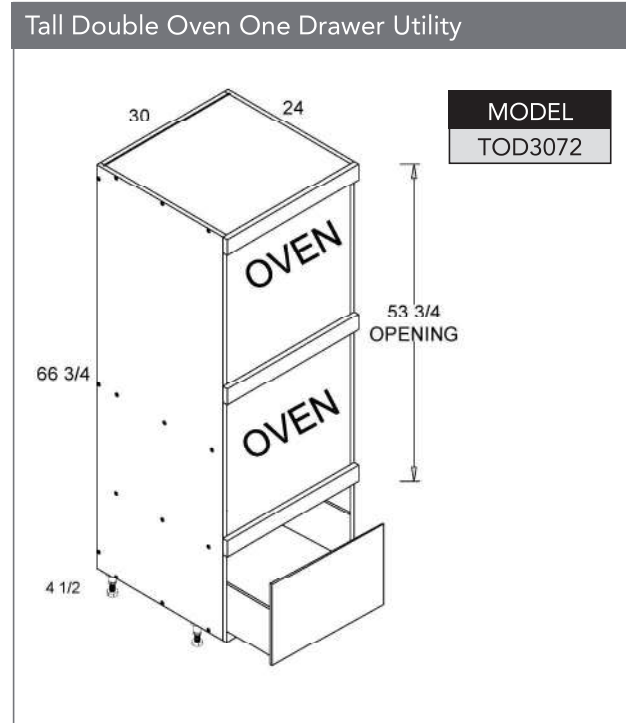


Tall Single Oven Four Drawer Utility



PRODUCT SPECIFICATIONS

Tall cabinets



PRODUCT SPECIFICATIONS

Vanity cabinets

Full Height One Door Vanity Bases

MODEL
VB12FH
VB15FH
VB18FH

One Door One Drawer Vanity Bases

MODEL
VB12
VB15
VB18

Two Drawer Vanity Bases

MODEL
2VDB12
2VDB15
2VDB18

Two Drawer with One Inner Drawer Vanity Bases

MODEL
2VDBID12
2VDBID15
2VDBID18

PRODUCT SPECIFICATIONS

Vanity cabinets

Three Drawer Vanity Bases

MODEL
3VDB12
3VDB15
3VDB18

Four Drawer Vanity Bases

MODEL
4VDB12
4VDB15
4VDB18

Full Height One Door Vanity Sink Bases

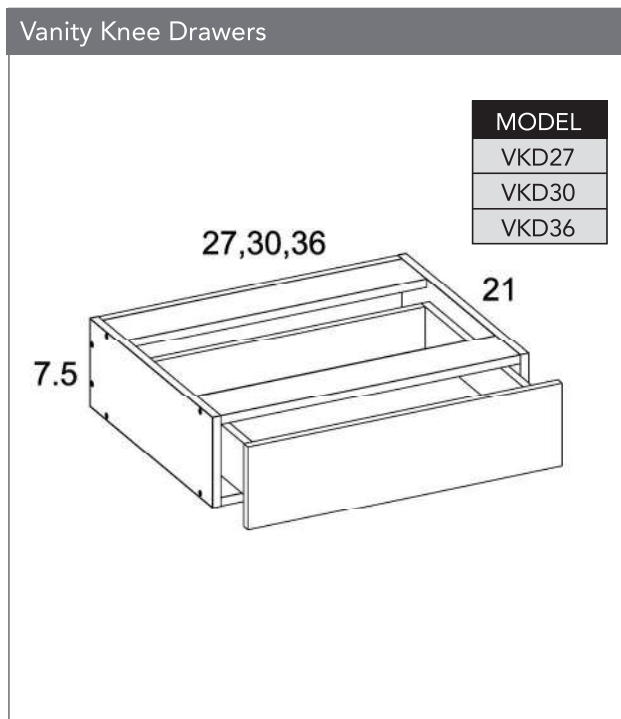
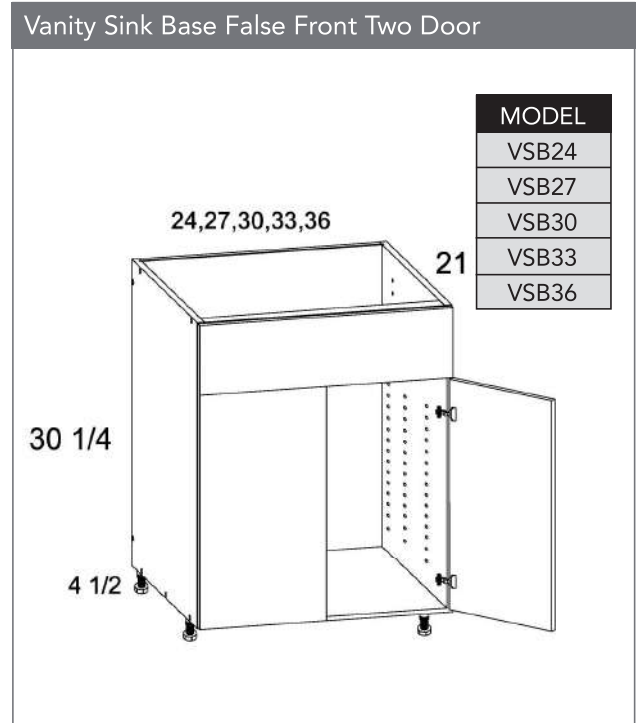
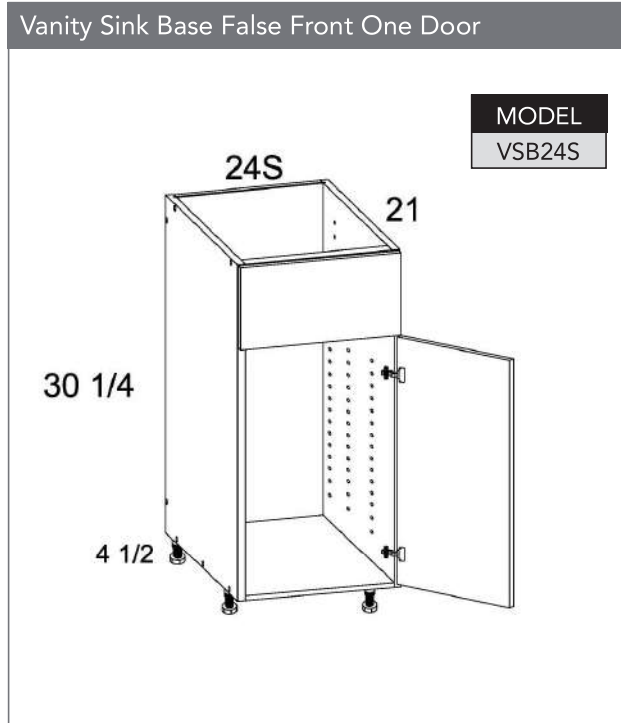
MODEL
VSB24SFH

Full Height Double Door Vanity Sink Bases

MODEL
VSB24FH
VSB27FH
VSB30FH
VSB33FH
VSB36FH

PRODUCT SPECIFICATIONS

Vanity cabinets



PRODUCT SPECIFICATIONS

Fillers & panels

Fillers - Appliance Filler (Three Pack)

MODEL
AF3006

30
6

• Edgebanded on all four edges

Fillers - 3" Filler Overlays

MODEL
OF323
OF330
OF335
OF340
OF384
OF389
OF394

3
22 1/2
30 1/4
35 1/4
40 1/4
83
88
93

Fillers - 6" Filler Overlays

MODEL
OF630
OF635
OF640
OF684
OF689
OF694

6
30 1/4
35 1/4
40 1/4
83
88
93

PRODUCT SPECIFICATIONS

Fillers & panels

Panels - Base End Panel

MODEL
 BEP2535

$25 \frac{5}{16}$

$3 \frac{3}{4}$

$35 \frac{1}{4}$

• Edgebanded on all four edges

Panels - Wall End Panel

MODEL
 WEP1523
 WEP1530
 WEP1535
 WEP1540

15

$3 \frac{3}{4}$

$22 \frac{5}{8}$
 $30 \frac{1}{4}$
 $35 \frac{1}{4}$
 $40 \frac{1}{4}$

• Edgebanded on all four edges

Panels - Long End Panel

MODEL
 BP9642

96

$3 \frac{3}{4}$

42

• Edgebanded on all four edges

Panels - Tall End Panel

MODEL
 TEP3096

$29 \frac{7}{8}$

$3 \frac{3}{4}$

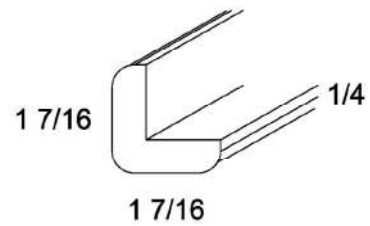
96

• Edgebanded on all four edges

PRODUCT SPECIFICATIONS

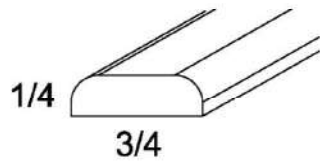
Mouldings

Outside Corner Moulding



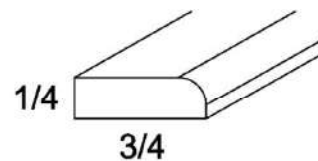
MODEL
 OCM8

Batten Moulding



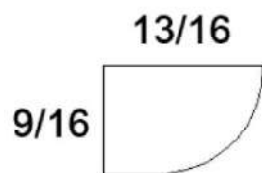
MODEL
 BM8

Scribe Moulding



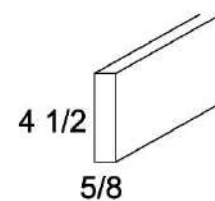
MODEL
 SM8

Shoe Moulding



MODEL
 SHM8

Toe Kick Cover

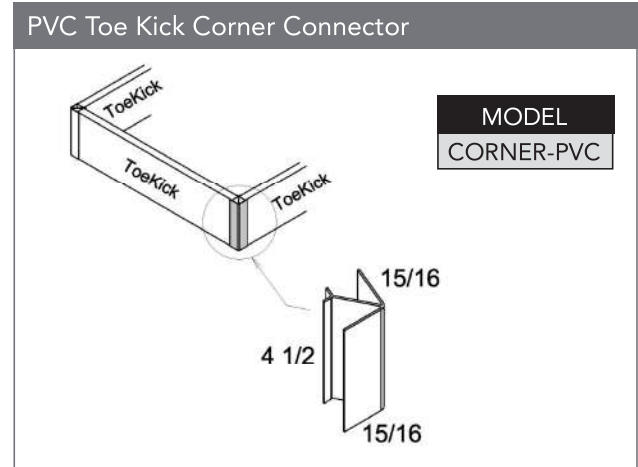
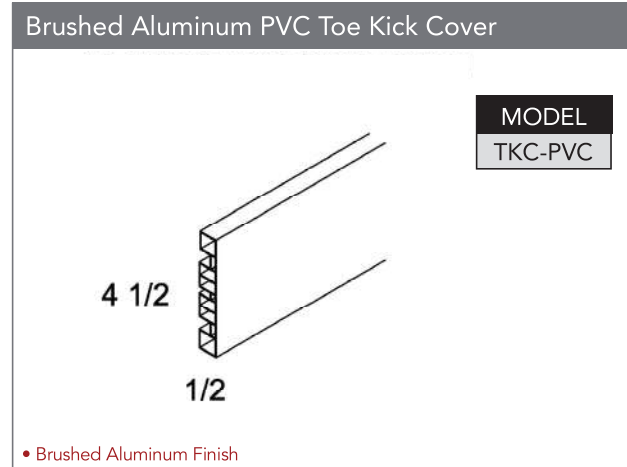


MODEL
 TKC

- Edgebanded on all four edges
- Matching Laminate Face

PRODUCT SPECIFICATIONS

Mouldings



PRODUCT SPECIFICATIONS

Accessories

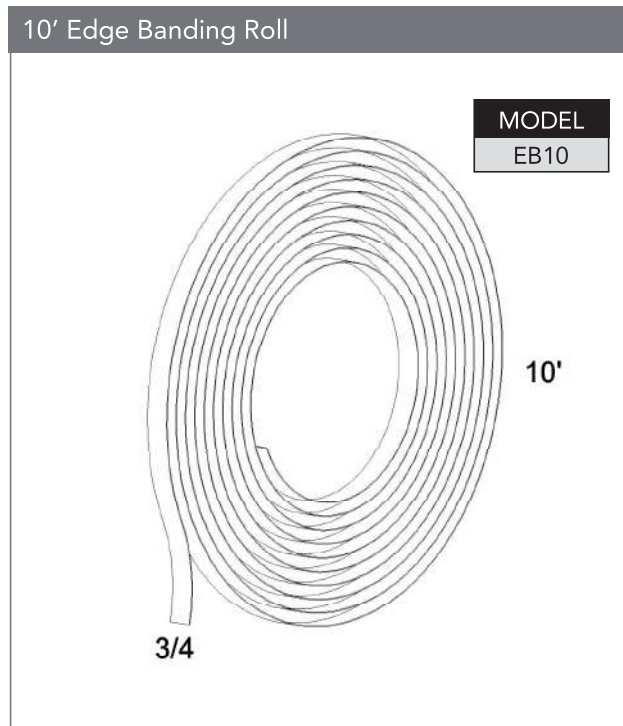
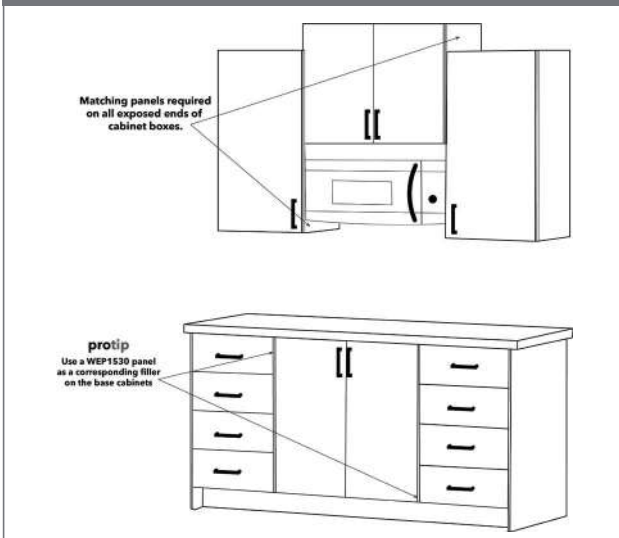


FIG 1.1: FINISHED SIDE PANELS



Frameless cabinet boxes feature a universal grey linen box color in and out. When designing with a 3/4" panel is a required anytime there is an exposed end. Remember to also use a panel next to appliances or when varying cabinet heights are used.

To align the wall and base cabinets, use a WEP1530 (cut in half) as a filler on the base cabinets to correspond with the panels on the wall cabinets.

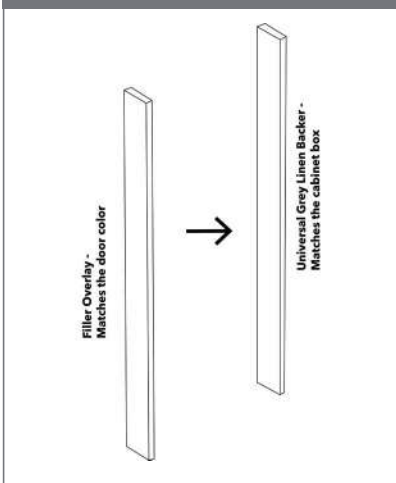
Frameless side panels are oversized and designed to be trimmed down in order to come flush with the door front, giving an inset appearance.

When using in an island or peninsula application, the finished panel should be flush with the back panel and door/drawer front.

FIG 1.2: FINISHED SIDE PANELS



FIG 2: FILLERS



Fillers include a backer and separate front overlay piece. The backer is the same grey linen color as the cabinet box, and the overlay filler matches the door material.

Frameless base end panels can either be installed with a recessed 4-1/2" H toe kick, or they can be used at full height and placed directly onto the floor.

FIG 3: END PANEL INSTALLATION TYPES

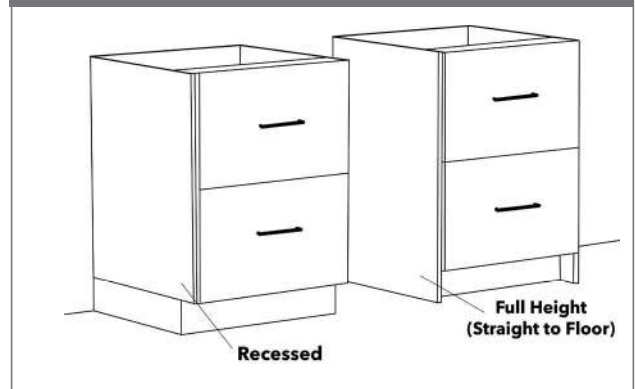
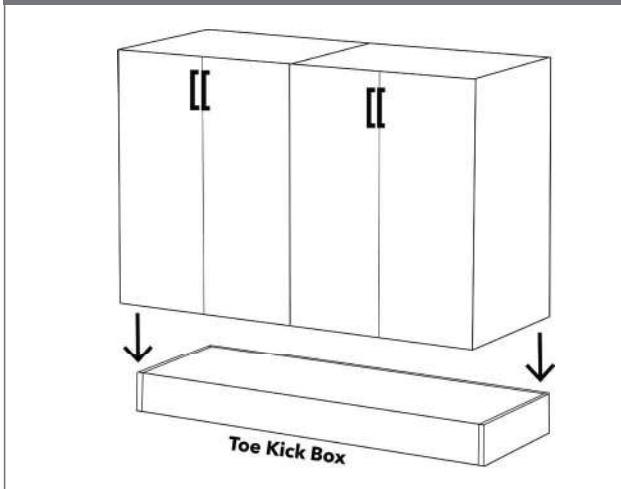


FIG 4: TOE KICK BOX



When designing islands and peninsulas, it is not recommended to use the adjustable legs at the base of the cabinetry, as this can cause slipping. To ensure stability, a **toe kick box** can be secured to the floor, then the cabinets can be attached to the toe kick box frame.

Tall cabinets feature a 72" H standardized box. To reach the desired overall height of either 84, 89 or 94"* , a wall cabinet can be stacked on top of the tall utility box.

Our 24" deep wall cabinets are available in heights of 12, 18 or 23"

FIG 5: UTILITY CABINETS

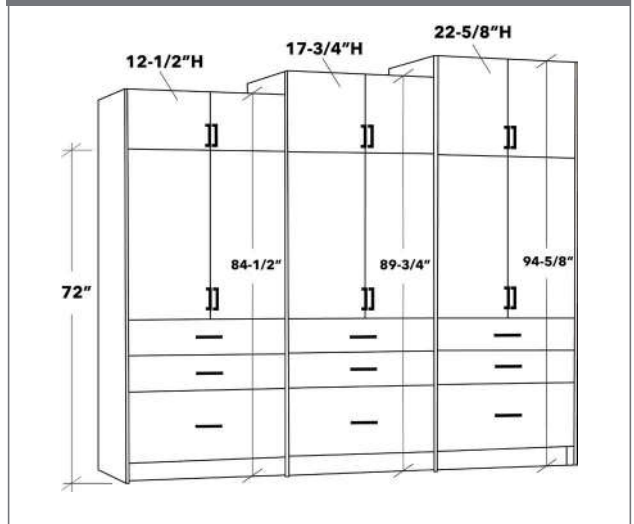
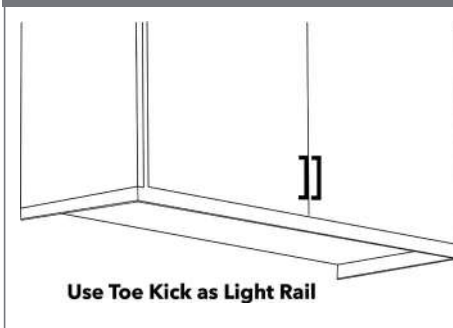


FIG 6: LIGHT RAIL



To construct a light rail, utilize toe kick molding with the light strip tucked behind.

The toe kick can be cut down to the desired length and height.

base cabinets are designed without an integrated toe kick. The cabinets come with adjustable legs, and the toe kick can be attached onto the front of the legs.

FIG 7: ADJUSTABLE LEGS

