



Presents



Silverton
Coconut White



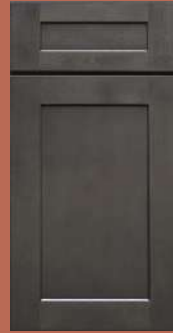
Silverton
Almond White



Silverton
Silk White



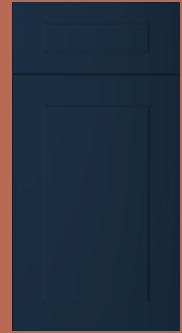
Silverton
Iron Grey



Silverton
Charcoal Grey



Silverton
Antique Slate



Silverton
Deep Blue

***Available in a limited sku selection**



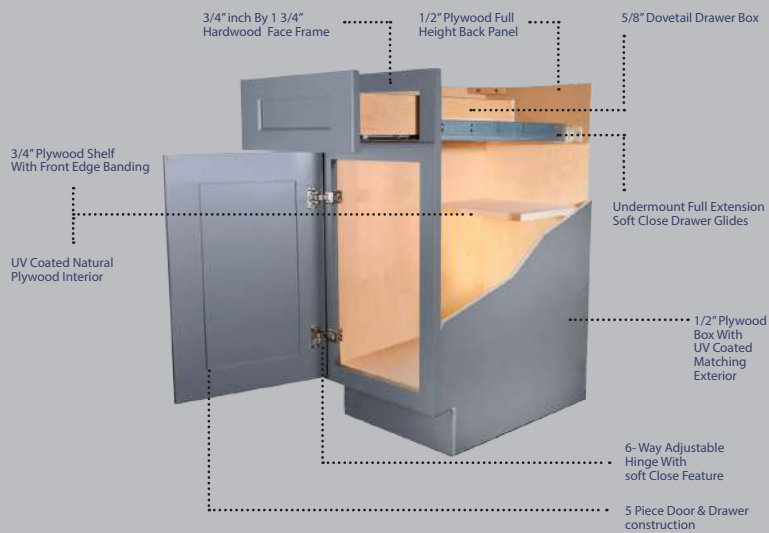
Langston
Coconut White



Ellington
Almond White

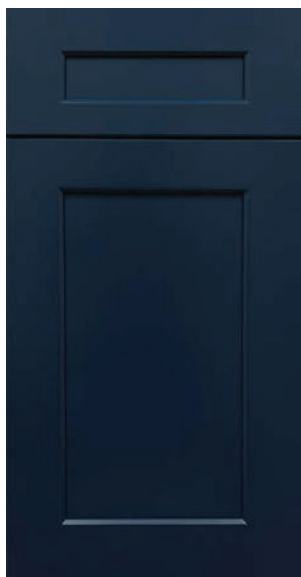


Ellington
Chestnut



All RTA orders over \$4,000 ship & deliver for free!

SILVERTON



DEEP
BLUE



ANTIQUÉ
SLATE

- Framed Cabinet with Full Overlay Doors and Drawers
- Under Mount Full Extension Soft Close Drawer Glides
- Concealed European Style Hinges with Soft Close Feature
- Five Piece HDF Door
- 1/2" Plywood Box with UV Coated Matching Exterior
- Glue & Staple or Metal Clip Assembly
- UV Coated Natural Interior

SILVERTON



**COCONUT
WHITE**



**ALMOND
WHITE**



**SILK
WHITE**

- Framed Cabinet with Full Overlay Doors and Drawers
- Under Mount Full Extension Soft Close Drawer Glides
- Concealed European Style Hinges with Soft Close Feature
- Five Piece HDF Door
- ½" Plywood Box with UV Coated Matching Exterior
- Glue & Staple or Metal Clip Assembly
- UV Coated Natural Interior

SILVERTON



IRON GREY

- Framed Cabinet with Full Overlay Doors and Drawers
- Under Mount Full Extension Soft Close Drawer Glides
- Concealed European Style Hinges with Soft Close Feature
- Five Piece HDF Door
- ½" Plywood Box with UV Coated Matching Exterior
- Glue & Staple or Metal Clip Assembly
- UV Coated Natural Interior



CHARCOAL GREY

- Framed Cabinet with Full Overlay Doors and Drawers
- Under Mount Full Extension Soft Close Drawer Glides
- Concealed European Style Hinges with Soft Close Feature
- Solid Birch Door Frame with Veneered MDF Center Panel
- ½" Plywood Box with Stained Exterior
- Glue & Staple or Metal Clip Assembly
- UV Coated Natural Interior

LANGSTON



COCONUT WHITE

- Framed Cabinet with Full Overlay Doors and Drawers
- Under Mount Full Extension Soft Close Drawer Glides
- Concealed European Style Hinges with Soft Close Feature
- Five Piece HDF Door
- ½" Plywood Box with UV Coated Matching Exterior
- Glue & Staple or Metal Clip Assembly
- UV Coated Natural Interior

ELLINGTON



**ALMOND
WHITE**

- Framed Cabinet with Full Overlay Doors and Drawers
- Under Mount Full Extension Soft Close Drawer Glides
- Concealed European Style Hinges with Soft Close Feature
- Five Piece HDF Door
- ½" Plywood Box with UV Coated Matching Exterior
- Glue & Staple or Metal Clip Assembly
- UV Coated Natural Interior



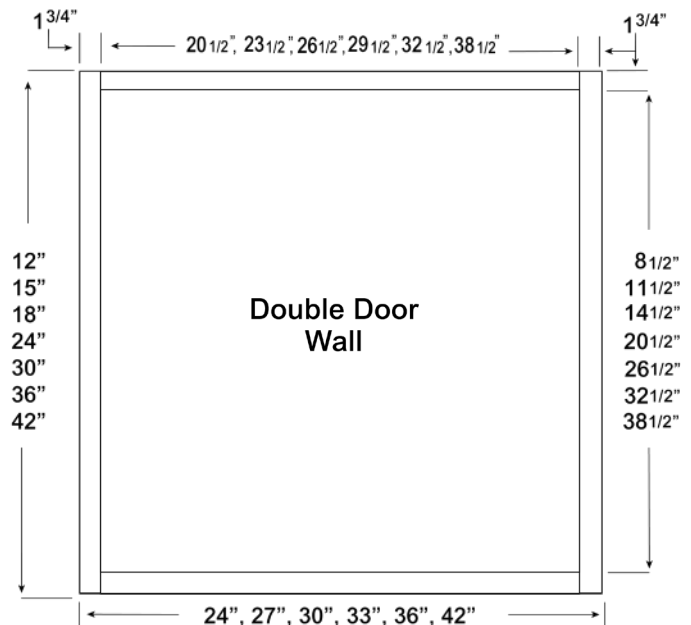
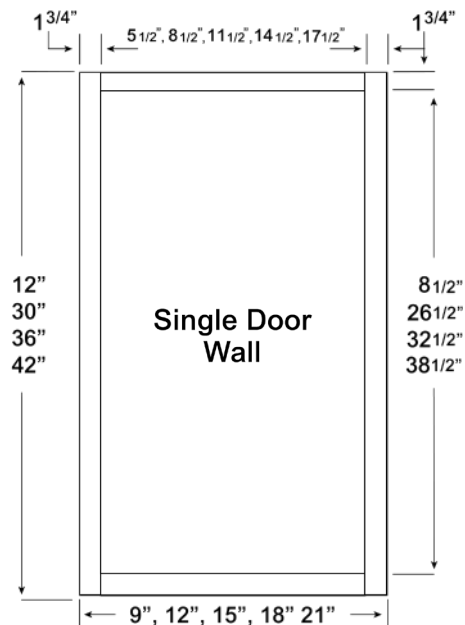
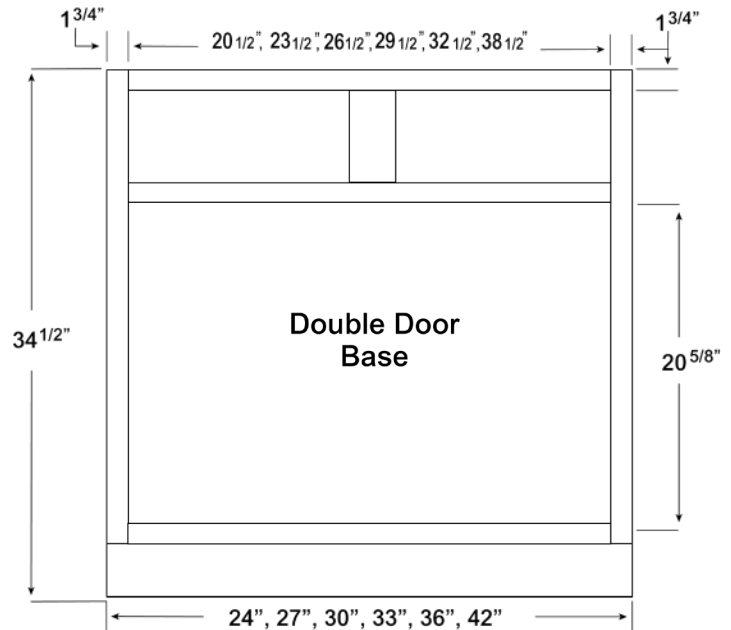
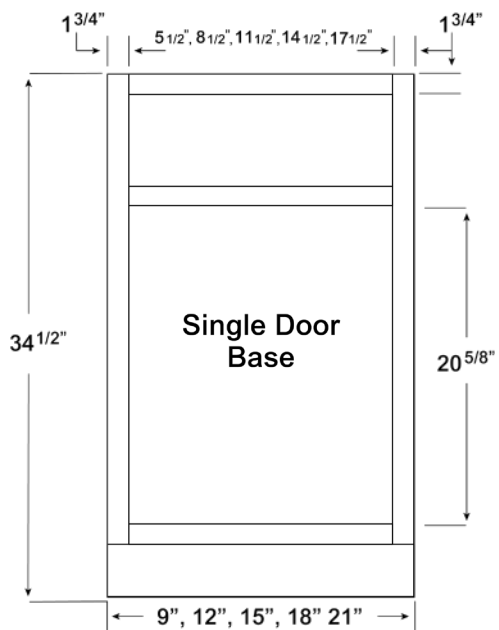
CHESTNUT

- Framed Cabinet with Full Overlay Doors and Drawers
- Under Mount Full Extension Soft Close Drawer Glides
- Concealed European Style Hinges with Soft Close Feature
- Solid Birch Door Frame with Solid Birch Center Panel
- ½" Plywood Box with UV Coated Matching Exterior
- Glue & Staple or Metal Clip Assembly
- UV Coated Natural Interior

CONSTRUCTION SPECIFICATIONS

CABINET FRAME & OPENING DIMENSIONS - 1 3/4"

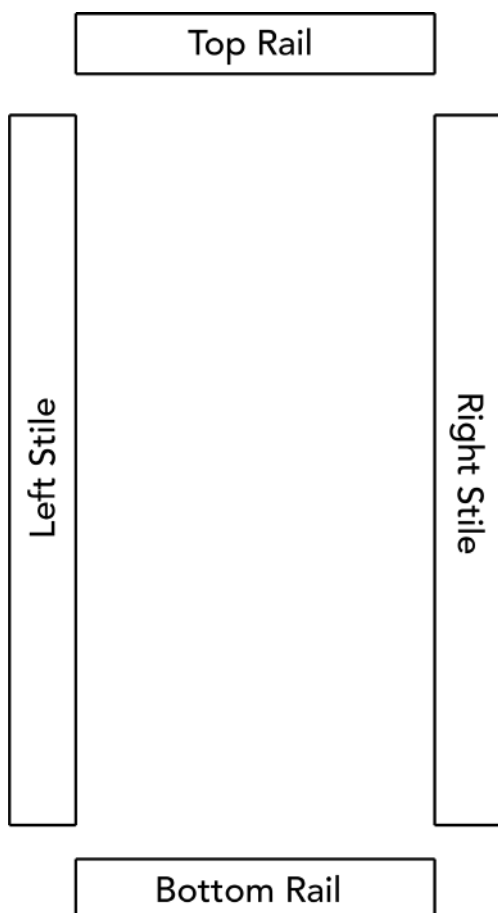
- Height of all base cabinet openings is 20 5/8"
- Cabinet Size - 3 1/2" will give you opening
- Example B30: 30" - 3 1/2" = 26 1/2"



GLASSDOOR CUTOUT SPECIFICATIONS

We offer various sized framed wall cabinets that have the doors routed for glass inserts and have an interior matching the cabinet exterior.

While these cabinets do not come equipped with glass or mullions, we have developed an easy to follow formula to help **estimate** the proper sized insert for your door while placing orders.



Height Configuration:

Door Height* - (2 x Door Style Rail Width) + 1½"

Width Configuration:

Door Width* - (2 x Door Style Stile Width) + 1½"

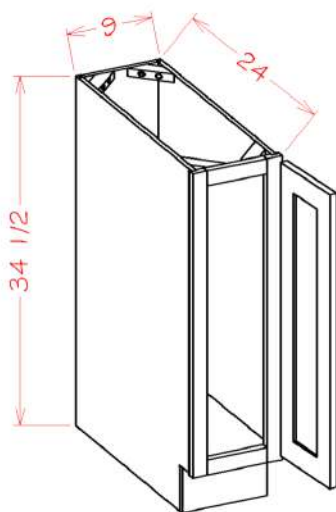
Door Style	Rail Width	Stile Width
Silverton	2¾"	2¾"
Langston	3"	3"
Langston	3"	3"
Ellington	3"	3"

*Door height and width information is located in the Specification Manual.

DISCLAIMER: This formula is to be used as an estimation tool only. We recommend that physical measurements are taken prior to ordering your inserts. We cannot guarantee the exact dimensions determined when using the formula provided.

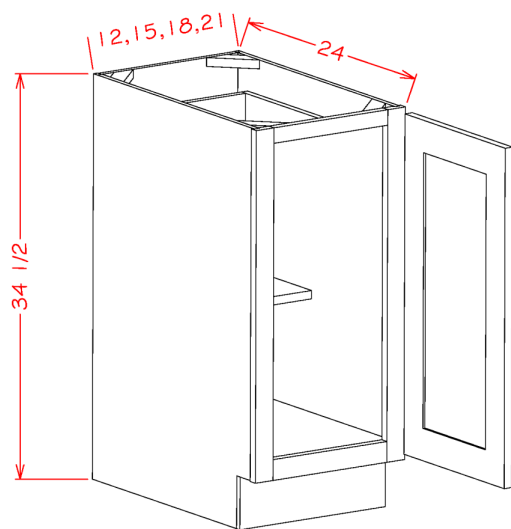
PRODUCT SPECIFICATIONS

Tray Base



Model	Description	Width	Height	Depth
BT9	Cabinet Dimension	9	34½	24
	Door Dimension	8½	29	¾

Full Height Single Door Bases

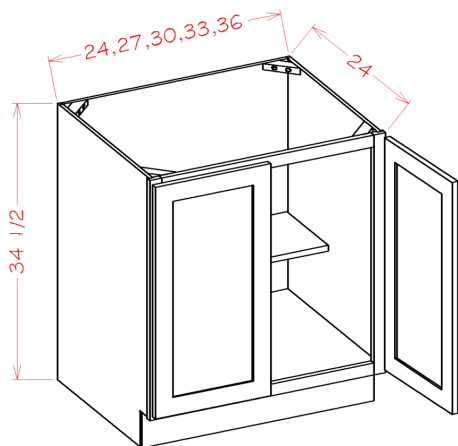


Model	Description	Width	Height	Depth
B12FH	Cabinet Dimension	12	34½	24
	Door Dimension	11½	29	¾
B15FH	Cabinet Dimension	12	34½	24
	Door Dimension	14½	29	¾
B18FH	Cabinet Dimension	18	34½	24
	Door Dimension	17½	29	¾
B21FH	Cabinet Dimension	21	34½	24
	Door Dimension	20½	29	¾

- Two boxes will be received when ordering this cabinet kit flat pack.

PRODUCT SPECIFICATIONS

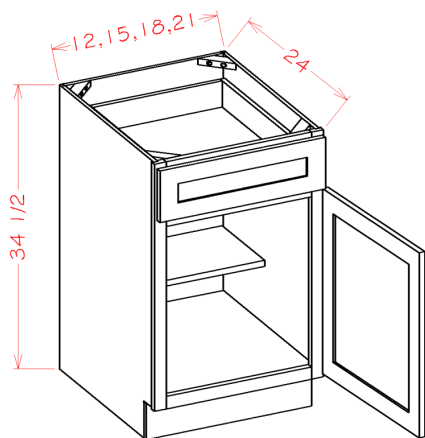
Full Height Double Door Bases



Model	Description	Width	Height	Depth
B24FH	Cabinet Dimension	24	34½	24
	Door Dimension	11¾	29	¾
B27FH	Cabinet Dimension	27	34½	24
	Door Dimension	13¼	29	¾
B30FH	Cabinet Dimension	30	34½	24
	Door Dimension	14¾	29	¾
B33FH	Cabinet Dimension	33	34½	24
	Door Dimension	16¼	29	¾
B36FH	Cabinet Dimension	36	34½	24
	Door Dimension	17¾	29	¾

- Two boxes will be received when ordering this cabinet kit flat pack.

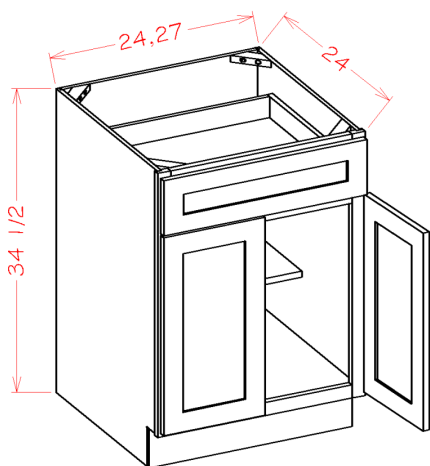
Single Door Single Drawer Bases



Model	Description	Width	Height	Depth
B12	Cabinet Dimension	12	34½	24
	Door Dimension	11½	22½	¾
	Drawer Front	11½	6¼	¾
	Drawer Box	8	3¼	20¾
B15	Cabinet Dimension	15	34½	24
	Door Dimension	14½	22½	¾
	Drawer Front	14½	6¼	¾
	Drawer Box	11	3¼	20¾
B18	Cabinet Dimension	18	34½	24
	Door Dimension	17½	22½	¾
	Drawer Front	17½	6¼	¾
	Drawer Box	14	3¼	20¾
B21	Cabinet Dimension	21	34½	24
	Door Dimension	20½	22½	¾
	Drawer Front	20½	6¼	¾
	Drawer Box	17	3¼	20¾

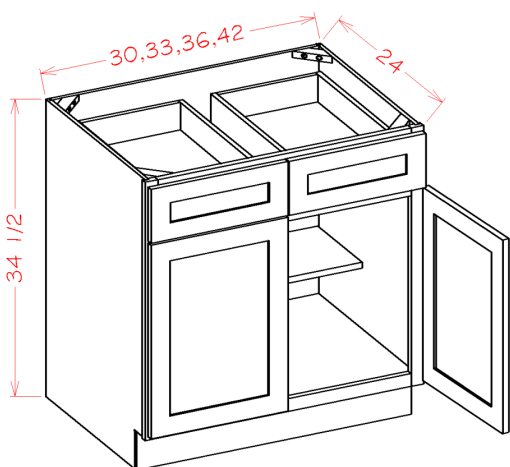
PRODUCT SPECIFICATIONS

Double Door Single Drawer Bases



Model	Description	Width	Height	Depth
B24	Cabinet Dimension	24	34½	24
	Door Dimension	11¾	22½	¾
	Drawer Front	23½	6¼	¾
	Drawer Box	20	3¼	20¾
B27	Cabinet Dimension	27	34½	24
	Door Dimension	13¾	22½	¾
	Drawer Front	26½	6¼	¾
	Drawer Box	23	3¼	20¾

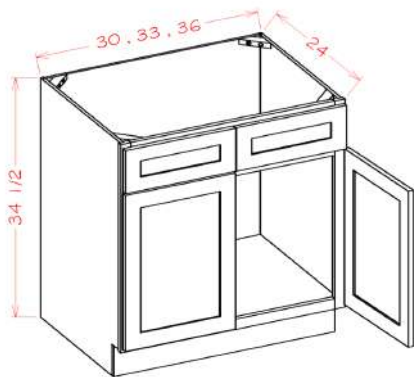
Double Door Double Drawer Bases



Model	Description	Width	Height	Depth
B30	Cabinet Dimension	30	34½	24
	Door Dimension	14¾	22½	¾
	Drawer Front	14¾	6¼	¾
	Drawer Box	12	3¼	20¾
B33	Cabinet Dimension	33	34½	24
	Door Dimension	16¼	22½	¾
	Drawer Front	16¼	6¼	¾
	Drawer Box	13½	3¼	20¾
B36	Cabinet Dimension	36	34½	24
	Door Dimension	17¾	22½	¾
	Drawer Front	17¾	6¼	¾
	Drawer Box	15	3¼	20¾
B42	Cabinet Dimension	42	34½	24
	Door Dimension	20¾	22½	¾
	Drawer Front	20¾	6¼	¾
	Drawer Box	18	3¼	20¾

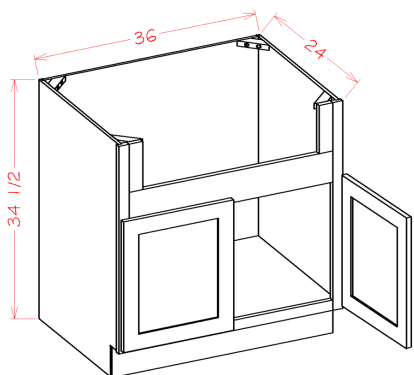
PRODUCT SPECIFICATIONS

Sink Bases



Model	Description	Width	Height	Depth
SB30	Cabinet Dimension	30	34½	24
	Door Dimension	14¾	22½	¾
	Drawer Front	14¾	6¼	¾
SB33	Cabinet Dimension	33	34½	24
	Door Dimension	16¼	22½	¾
	Drawer Front	16¼	6¼	¾
SB36	Cabinet Dimension	36	34½	24
	Door Dimension	17¾	22½	¾
	Drawer Front	17¾	6¼	¾

Sink Bases - Farm Sink

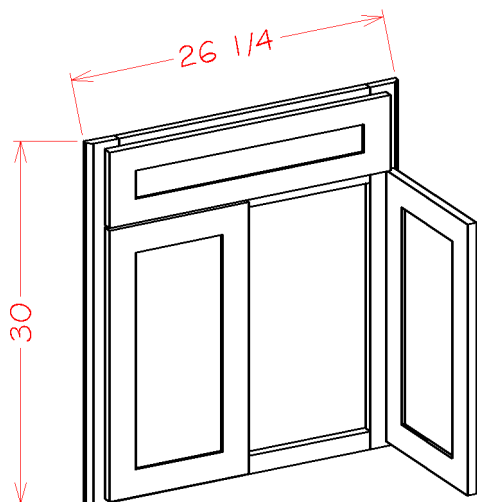


Model	Description	Width	Height	Depth
FSB36	Cabinet Dimension	36	34½	24
	Sink Cutout Dimension	29	7	—
	Door Dimension	17¾	19	¾

- Fits up to a 33"W x 10"H farm sink

PRODUCT SPECIFICATIONS

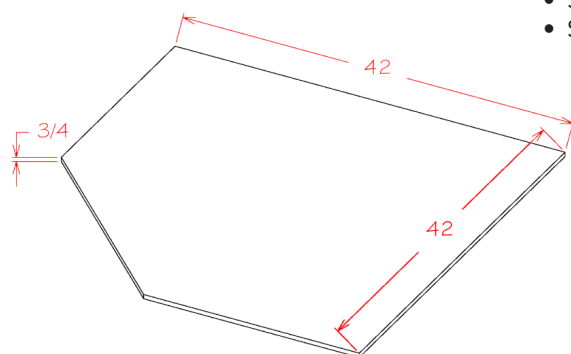
Sink Bases - Diagonal Sink Front



Model	Description	Width	Height	Depth
DCSF42	Cabinet Dimension	26 $\frac{1}{4}$	30	$\frac{3}{4}$
	Door Dimension	11 $\frac{3}{4}$	22 $\frac{1}{2}$	$\frac{3}{4}$

- DCSF42 to be used in conjunction with SBF4242
- Available as a kit item SKU: DCCF42
- Toe Kick Not Included

Sink Bases - Diagonal Sink Floor

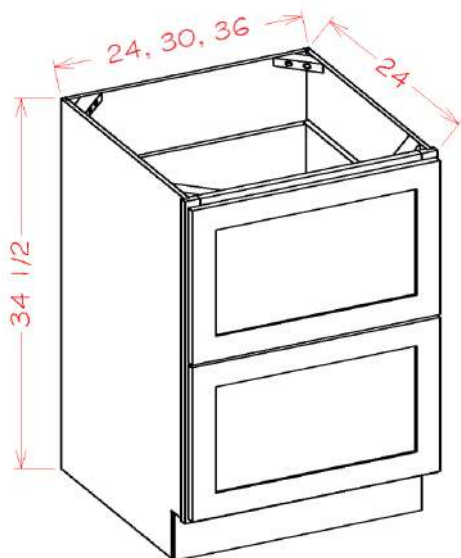


Model	Description	Width	Height	Depth
SBF4242	Door Dimension	42	$\frac{1}{2}$	42

- Sink floor only.
- SBF4242 to be used in conjunction with DCSF42.

PRODUCT SPECIFICATIONS

Two Drawer Bases



Model	Description	Width	Height	Depth
2DB24	Cabinet Dimension	24	34½	24
	Drawer Front	23½	14½	¾
	Drawer Box	20	8¼	20¾
2DB30	Cabinet Dimension	30	34½	24
	Drawer Front	29½	14½	¾
	Drawer Box	26	8¼	20¾
2DB36	Cabinet Dimension	36	34½	24
	Drawer Front	35½	14½	¾
	Drawer Box	32	8¼	20¾

PRODUCT SPECIFICATIONS

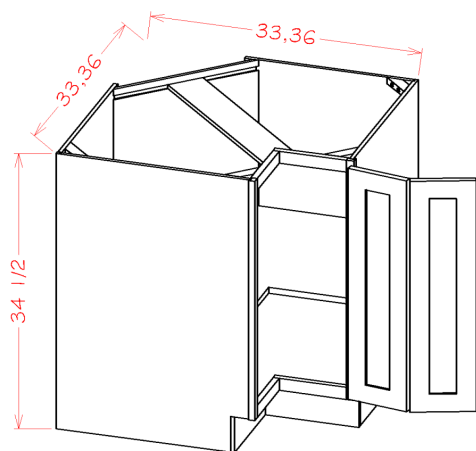
Three Drawer Base



Model	Description	Width	Height	Depth
3DB12	Cabinet Dimension	12	34½	24
	Top Drawer Front	11½	6¼	¾
	Bottom Drawer Front	11½	11⅛	¾
	Top Drawer Box	8	3¾	20¾
	Bottom Drawer Box	8	8¼	20¾
3DB15	Cabinet Dimension	15	34½	24
	Top Drawer Front	14½	6¼	¾
	Bottom Drawer Front	14½	11⅛	¾
	Top Drawer Box	11	3¾	20¾
	Bottom Drawer Box	11	8¼	20¾
3DB18	Cabinet Dimension	18	34½	24
	Top Drawer Front	17½	6¼	¾
	Bottom Drawer Front	17½	11⅛	¾
	Top Drawer Box	14	3¾	20¾
	Bottom Drawer Box	14	8¼	20¾
3DB21	Cabinet Dimension	21	34½	24
	Top Drawer Front	20½	6¼	¾
	Bottom Drawer Front	20½	11⅛	¾
	Top Drawer Box	17½	3¾	20¾
	Bottom Drawer Box	17½	8¼	20¾
3DB24	Cabinet Dimension	24	34½	24
	Top Drawer Front	23½	6¼	¾
	Bottom Drawer Front	23½	11⅛	¾
	Top Drawer Box	20	3¾	20¾
	Bottom Drawer Box	20	8¼	20¾
3DB30	Cabinet Dimension	30	34½	24
	Top Drawer Front	29½	6¼	¾
	Bottom Drawer Front	29½	11⅛	¾
	Top Drawer Box	26	3¾	20¾
	Bottom Drawer Box	26	8¼	20¾
3DB36	Cabinet Dimension	36	34½	24
	Top Drawer Front	35½	6¼	¾
	Bottom Drawer Front	35½	11⅛	¾
	Top Drawer Box	32	3¾	20¾
	Bottom Drawer Box	32	8¼	20¾

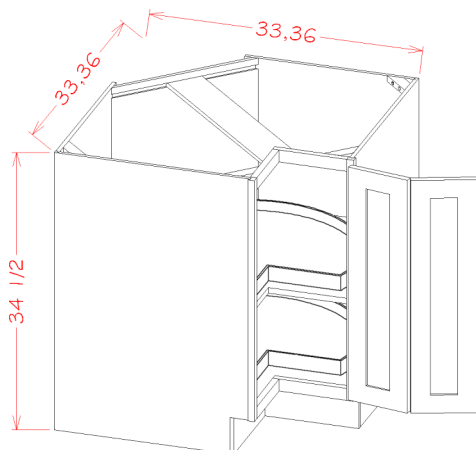
PRODUCT SPECIFICATIONS

Base Easy Reach



Model	Description	Width	Height	Depth
BER33	Cabinet Dimension	33	34½	24
	Door Dimension	7 ⁵ / ₈	29	¾
BER36	Cabinet Dimension	36	34½	24
	Door Dimension	10 ⁵ / ₈	29	¾

Base Easy Reach with Lazy Susan Trays

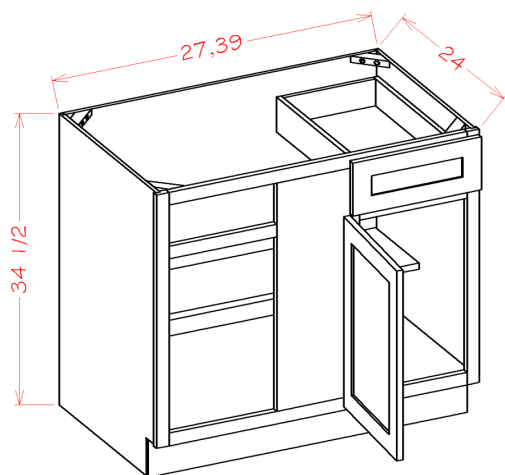


Model	Description	Width	Height	Depth
LSB33	Cabinet Dimension	33	34½	24
	Door Dimension	7 ⁵ / ₈	29	¾
LSB36	Cabinet Dimension	36	34½	24
	Door Dimension	10 ⁵ / ₈	29	¾

- LSB33 Inside Opening is 11.5" W and Wooden Lazy Susan Tray is 27.5" W (Comes in a separate box)
- LSB36 Inside Opening is 15.5" W and Wooden Lazy Susan Tray is 27.5" W (Comes in a separate box)
- Two boxes will be received when ordering this cabinet kit flat pack.

PRODUCT SPECIFICATIONS

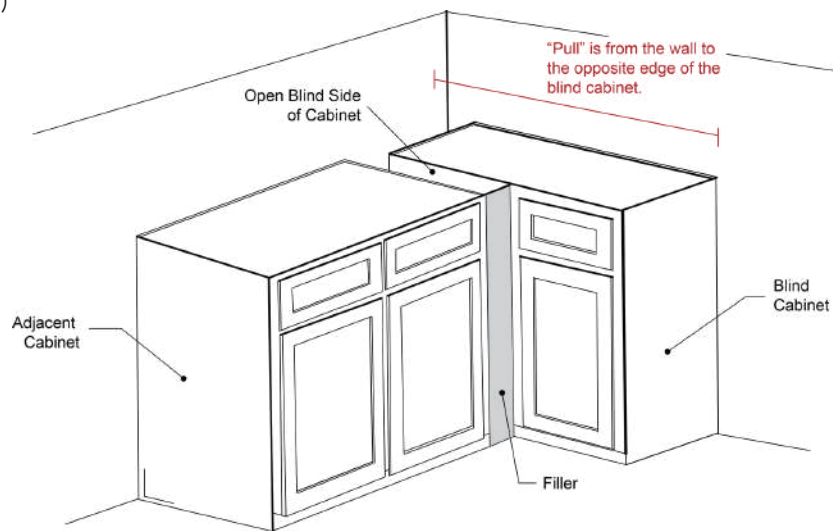
Blind Bases



Model	Description	Width	Height	Depth
BBC36	Door Opening	6 ³ / ₄	20 ¹ / ₂	22 ³ / ₄
	Cabinet Dimension	27	34 ¹ / ₂	24
	Door Dimension	9 ³ / ₄	22 ¹ / ₂	3 ³ / ₄
	Drawer Front	9 ³ / ₄	6 ¹ / ₄	3 ³ / ₄
	Drawer Box	6 ¹ / ₂	3 ³ / ₈	20 ³ / ₈
BBC42	Door Opening	12 ³ / ₄	20 ¹ / ₂	22 ³ / ₄
	Cabinet Dimension	39	34 ¹ / ₂	24
	Door Dimension	15 ³ / ₄	22 ¹ / ₂	3 ³ / ₄
	Drawer Front	15 ³ / ₄	6 ¹ / ₄	3 ³ / ₄
	Drawer Box	12 ³ / ₈	3 ³ / ₈	20 ³ / ₈

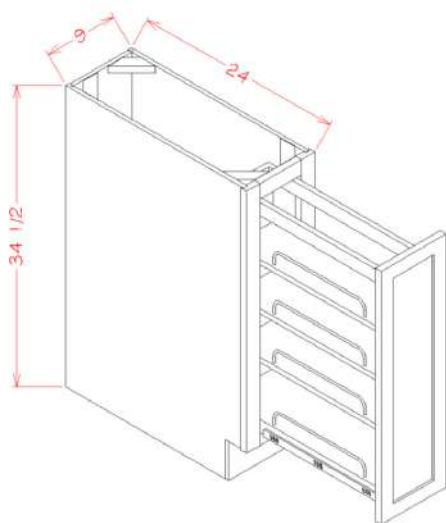
Model	Box Size	Min	Max	Stile
BBC36	27	36 ¹ / ₂	43	10
BBC42	39	42 ¹ / ₂	49	10

- Must Use Filler (not supplied)



PRODUCT SPECIFICATIONS

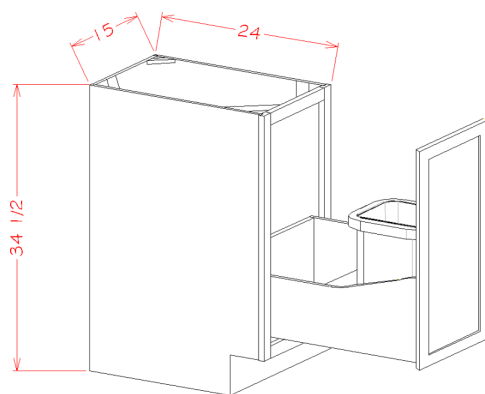
Accessory Base Cabinets - Full Height Door Base Kit with Shelf Pullout



Model	Description	Width	Height	Depth
BT9PO	Cabinet Dimension	9	34½	24
	Door Dimension	8½	29	¾
	Pullout Dimension	6	25½	22 ¾

- Pullout is mounted to the cabinet floor and door.
- Full-extension slides with BLUMOTION soft-close (110 lb weight capacity).
- Two boxes will be received when ordering this cabinet kit flat pack.

Accessory Base Cabinets - Full Height Door Base Kit with Single Trashcan

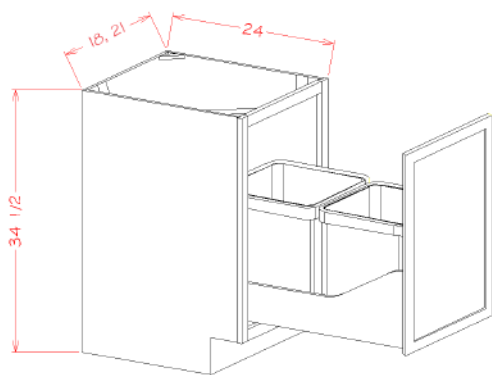


Model	Description	Width	Height	Depth
B15FHTCPO	Cabinet Dimension	15	34½	24
	Door Dimension	14½	29	¾
	Pullout Dimension	12	19½	21 ²¹ / ₃₂
	Trashcan Dimension	14 ³ / ₁₆	17 ⁷ / ₈	10½

- Pullout is mounted to the cabinet floor and door.
- Full-extension slides with BLUMOTION soft-close (110 lb weight capacity).
- Three boxes will be received when ordering this cabinet kit flat pack.

PRODUCT SPECIFICATIONS

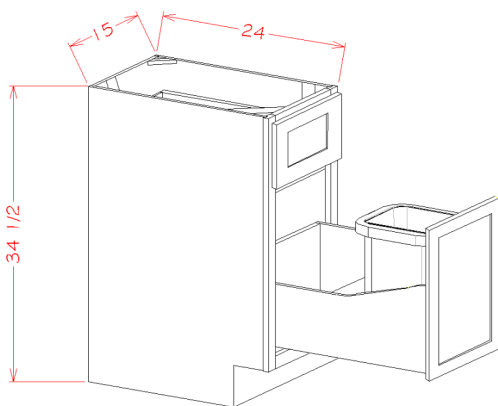
Accessory Base Cabinets - Full Height Door Base Kit with Double Trashcan Pullout



Model	Description	Width	Height	Depth
B18FHTCPO	Cabinet Dimension	18	34½	24
	Door Dimension	17½	29	¾
	Pullout Dimension	15	20¾	21 ²¹ / ₃₂
	Trashcan Dimension	14 ³ / ₁₆	17 ⁷ / ₈	10½
B21FHTCPO	Cabinet Dimension	21	34½	24
	Door Dimension	20½	29	¾
	Pullout Dimension	18	20¾	21 ²¹ / ₃₂
	Trashcan Dimension	14 ³ / ₁₆	17 ⁷ / ₈	10½

- Pullout is mounted to the cabinet floor and door.
- Full-extension slides with BLUMOTION soft-close (110 lb weight capacity).
- Three boxes will be received when ordering this cabinet kit flat pack.

Accessory Base Cabinets - Single Door Single Drawer Base Kit with Single Trashcan Pullout

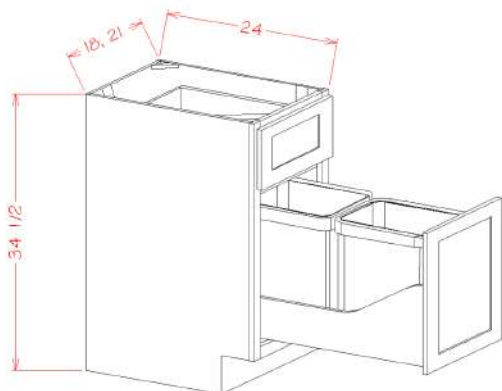


Model	Description	Width	Height	Depth
B15TCPO	Cabinet Dimension	15	34½	24
	Door Dimension	14½	22½	¾
	Drawer Front	14½	6 ¼	¾
	Drawer Box	11	3 ¼	20¾
	Pullout Dimension	12	19½	21 ²¹ / ₃₂
	Trashcan Dimension	14 ³ / ₁₆	17 ⁷ / ₈	10½

- Pullout is mounted to the cabinet floor and door.
- Full-extension slides with BLUMOTION soft-close (110 lb weight capacity).
- Two boxes will be received when ordering this cabinet kit flat pack.

PRODUCT SPECIFICATIONS

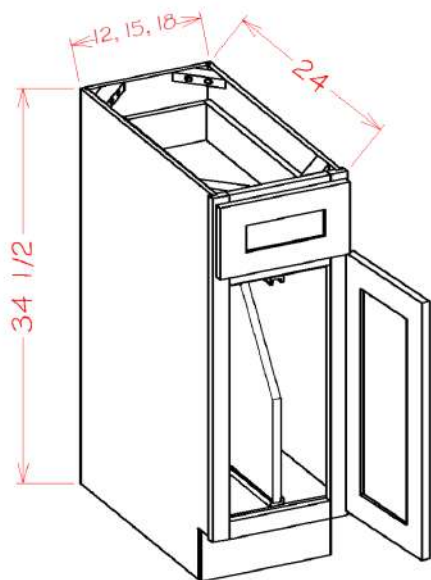
Accessory Base Cabinets - Single Door Single Drawer Base Kit with Double Trashcan Pullout



- Pullout is mounted to the cabinet floor and door.
- Full-extension slides with BLUMOTION soft-close (110 lb weight capacity).
- Two boxes will be received when ordering this cabinet kit flat pack.

Model	Description	Width	Height	Depth
B18TCPO	Cabinet Dimension	18	34½	24
	Door Dimension	17½	22½	¾
	Drawer Front	17½	6 ¼	¾
	Drawer Box	14	3 ¼	20¾
	Pullout Dimension	15	19½	21 ²¹ / ₃₂
B21TCPO	Trashcan Dimension	14 ³ / ₁₆	17 ⁷ / ₈	10½
	Cabinet Dimension	21	34½	24
	Door Dimension	20½	22½	¾
	Drawer Front	20½	6 ¼	¾
	Drawer Box	17	3 ¼	20¾
B21TCPO	Pullout Dimension	18	19½	21 ²¹ / ₃₂
	Trashcan Dimension	14 ³ / ₁₆	17 ⁷ / ₈	10½

Accessory Base Cabinets - Tray Divider Base Kit

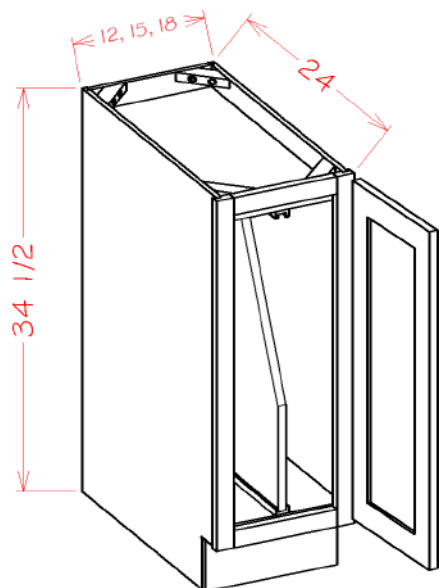


Model	Description	Width	Height	Depth
B12TD	Cabinet Dimension	12	34½	24
	Door Dimension	11½	22½	¾
	Drawer Front	11½	6¼	¾
	Drawer Box	8	3¼	20¾
	Tray Divider	¾	21	22½
B15TD	Cabinet Dimension	15	34½	24
	Door Dimension	14½	22½	¾
	Drawer Front	14½	6¼	¾
	Drawer Box	11	3¼	20¾
B18TD	Tray Divider	¾	21	22½
	Cabinet Dimension	18	34½	24
	Door Dimension	17½	22½	¾
	Drawer Front	17½	6¼	¾
B18TD	Drawer Box	14	3¼	20¾
	Tray Divider	¾	21	22½

- B18TD Includes Two Dividers
- Two boxes will be received when ordering this cabinet kit flat pack.

PRODUCT SPECIFICATIONS

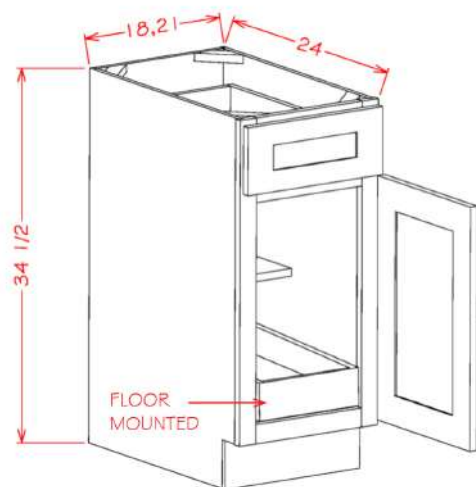
Accessory Base Cabinets - Full Height Tray Divider Base Kit



Model	Description	Width	Height	Depth
B12FHTD	Cabinet Dimension	12	34½	24
	Door Dimension	11½	29	¾
	Tray Divider	¾	27	22½
B15FHTD	Cabinet Dimension	15	34½	24
	Door Dimension	14½	29	¾
	Tray Divider	¾	27	22½
B18FHTD	Cabinet Dimension	18	34½	24
	Door Dimension	17½	29	¾
	Tray Divider	¾	27	22½

- B18FHTD Includes Two Dividers
- Three boxes will be received when ordering this cabinet kit flat pack.

Accessory Base Cabinets - Single Door Single Drawer One Rollout Shelf Base Kit

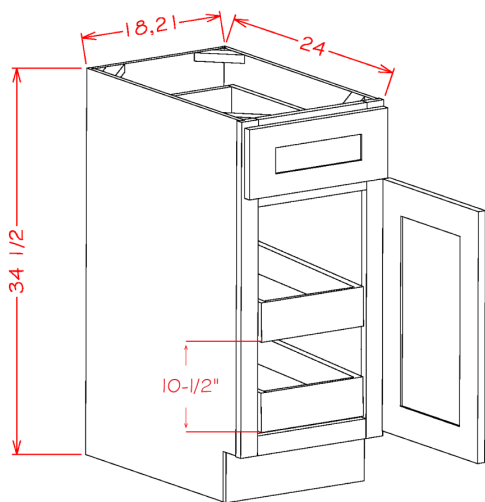


Model	Description	Width	Height	Depth
B181RS	Cabinet Dimension	18	34½	24
	Door Dimension	17½	22½	¾
	Drawer Front	17½	6¼	¾
	Drawer Box	14	3¼	20¾
	Rollout Shelf	13¾	3¾	20¼
B211RS	Cabinet Dimension	21	34½	24
	Door Dimension	20½	22½	¾
	Drawer Front	20½	6¼	¾
	Drawer Box	17	3¼	20¾
	Rollout Shelf	16¾	3¾	20¼

- Assembled cabinets with Rollout Shelf kits are ONLY installed as indicated in the line drawing
- Two boxes will be received when ordering this cabinet kit flat pack.
- Rollout Shelf glides are side mounted ball bearing with no soft close.

PRODUCT SPECIFICATIONS

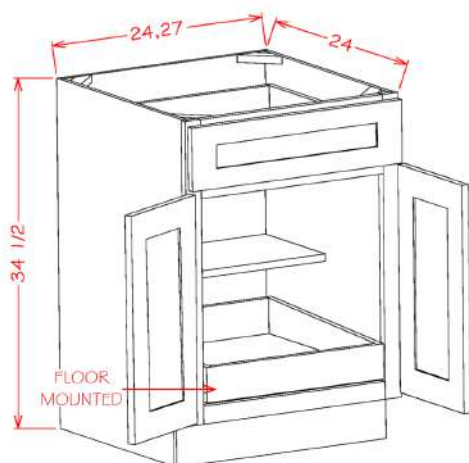
Accessory Base Cabinets - Single Door Single Drawer Two Rollout Shelf Base Kit



Model	Description	Width	Height	Depth
B182RS	Cabinet Dimension	18	34½	24
	Door Dimension	17½	22½	¾
	Drawer Front	17½	6¼	¾
	Drawer Box	14	3¼	20¾
	Rollout Shelf	13¾	3¾	20⅞
B212RS	Cabinet Dimension	21	34½	24
	Door Dimension	20½	22½	¾
	Drawer Front	20½	6¼	¾
	Drawer Box	17	3¼	20¾
	Rollout Shelf	16¾	3¾	20⅞

- Assembled cabinets with Rollout Shelf kits are ONLY installed as indicated in the line drawing
- Three boxes will be received when ordering this cabinet kit flat pack.
- Rollout Shelf glides are side mounted ball bearing with no soft close.

Accessory Base Cabinets - Double Door Single Drawer One Rollout Shelf Base Kit

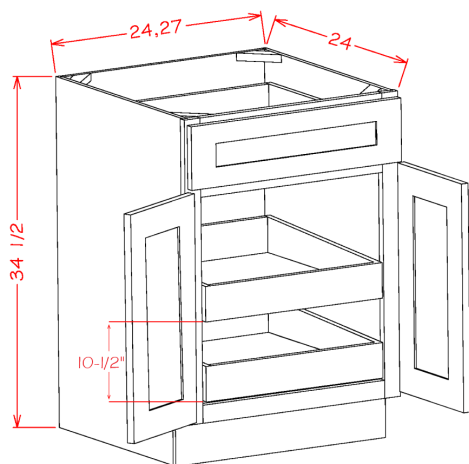


Model	Description	Width	Height	Depth
B241RS	Cabinet Dimension	24	34½	24
	Door Dimension	11¾	22½	¾
	Drawer Front	23½	6¼	¾
	Drawer Box	20	3¼	20¾
	Rollout Shelf	19½	3¾	20⅞
B271RS	Cabinet Dimension	27	34½	24
	Door Dimension	13¼	22½	¾
	Drawer Front	26½	6¼	¾
	Drawer Box	23	3¼	20¾
	Rollout Shelf	22½	3¾	20⅞

- Assembled cabinets with Rollout Shelf kits are ONLY installed as indicated in the line drawing
- Two boxes will be received when ordering this cabinet kit flat pack.
- Rollout Shelf glides are side mounted ball bearing with no soft close.

PRODUCT SPECIFICATIONS

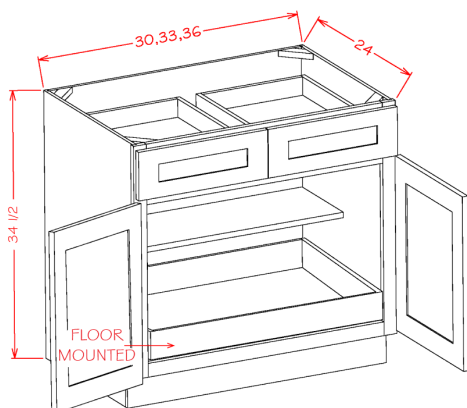
Accessory Base Cabinets - Double Door Single Drawer Two Rollout Shelf Base Kit



Model	Description	Width	Height	Depth
B242RS	Cabinet Dimension	24	34½	24
	Door Dimension	11¾	22½	¾
	Drawer Front	23½	6¼	¾
	Drawer Box	20	3¼	20¾
	Rollout Shelf	19½	3¾	20⅞
B272RS	Cabinet Dimension	27	34½	24
	Door Dimension	13¾	22½	¾
	Drawer Front	26½	6¼	¾
	Drawer Box	23	3¼	20¾
	Rollout Shelf	22½	3¾	20⅞

- Assembled cabinets with Rollout Shelf kits are ONLY installed as indicated in the line drawing
- Three boxes will be received when ordering this cabinet kit flat pack.
- Rollout Shelf glides are side mounted ball bearing with no soft close.

Accessory Base Cabinets - Double Door Double Drawer One Rollout Shelf Base Kit

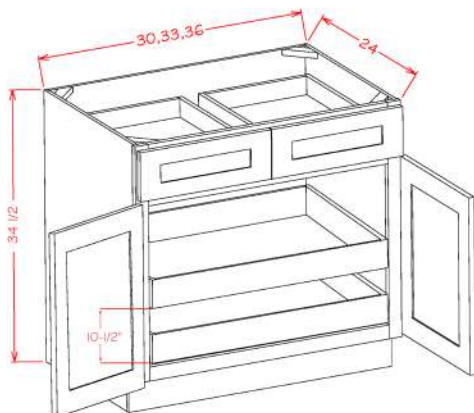


Model	Description	Width	Height	Depth
B301RS	Cabinet Dimension	30	34½	24
	Door Dimension	14¾	22½	¾
	Drawer Front	14¾	6¼	¾
	Drawer Box	12	3¼	20¾
	Rollout Shelf	25¾	3¾	20⅞
B331RS	Cabinet Dimension	33	34½	24
	Door Dimension	16¼	22½	¾
	Drawer Front	16¼	6¼	¾
	Drawer Box	13½	3¼	20¾
	Rollout Shelf	28¾	3¾	20⅞
B361RS	Cabinet Dimension	36	34½	24
	Door Dimension	17¾	22½	¾
	Drawer Front	17¾	6¼	¾
	Drawer Box	15	3¼	20¾
	Rollout Shelf	31¾	3¾	20⅞

- Assembled cabinets with Rollout Shelf kits are ONLY installed as indicated in the line drawing
- Two boxes will be received when ordering this cabinet kit flat pack.
- Rollout Shelf glides are side mounted ball bearing with no soft close.

PRODUCT SPECIFICATIONS

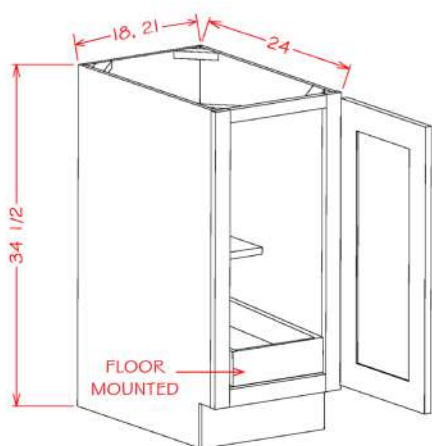
Accessory Base Cabinets - Double Door Double Drawer Two Rollout Shelf Base Kit



- Assembled cabinets with Rollout Shelf kits are ONLY installed as indicated in the line drawing
- Three boxes will be received when ordering this cabinet kit flat pack.
- Rollout Shelf glides are side mounted ball bearing with no soft close.

Model	Description	Width	Height	Depth
B302RS	Cabinet Dimension	30	34½	24
	Door Dimension	14¾	22½	¾
	Drawer Front	14¾	6¼	¾
	Drawer Box	12	3¼	20¾
	Rollout Shelf	25¾	3¾	20⅞
B332RS	Cabinet Dimension	33	34½	24
	Door Dimension	16¼	22½	¾
	Drawer Front	16¼	6¼	¾
	Drawer Box	13½	3¼	20¾
	Rollout Shelf	28¾	3¾	20⅞
B362RS	Cabinet Dimension	36	34½	24
	Door Dimension	17¾	22½	¾
	Drawer Front	17¾	6¼	¾
	Drawer Box	15	3¼	20¾
	Rollout Shelf	31¾	3¾	20⅞

Accessory Base Cabinets - Single Full Height Door One Rollout Shelf Base Kit

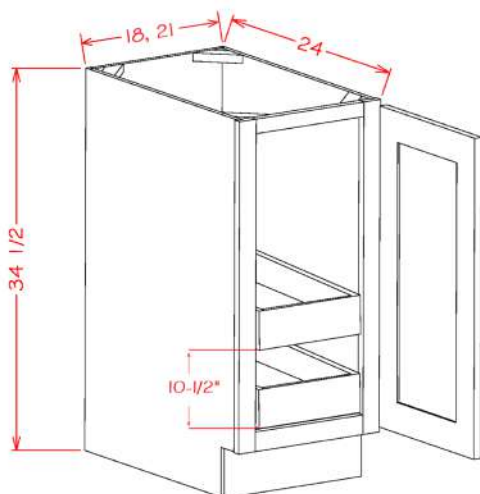


Model	Description	Width	Height	Depth
B18FH1RS	Cabinet Dimension	18	34½	24
	Door Dimension	17½	29	¾
	Rollout Shelf	13¾	3¾	20⅞
B21FH1RS	Cabinet Dimension	21	34½	24
	Door Dimension	20½	29	¾
	Rollout Shelf	16¾	3¾	20⅞

- Assembled cabinets with Rollout Shelf kits are ONLY installed as indicated in the line drawing
- Three boxes will be received when ordering this cabinet kit flat pack.
- Rollout Shelf glides are side mounted ball bearing with no soft close.

PRODUCT SPECIFICATIONS

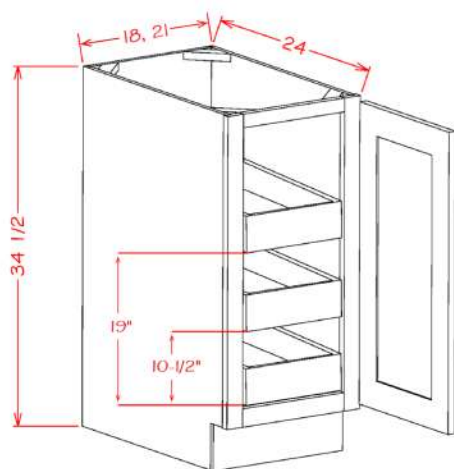
Accessory Base Cabinets - Single Full Height Door Two Rollout Shelf Base Kit



Model	Description	Width	Height	Depth
B18FH2RS	Cabinet Dimension	18	34½	24
	Door Dimension	17½	29	¾
	Rollout Shelf	13¾	3¾	20⅞
B21FH2RS	Cabinet Dimension	21	34½	24
	Door Dimension	20½	29	¾
	Rollout Shelf	16¾	3¾	20⅞

- Assembled cabinets with Rollout Shelf kits are ONLY installed as indicated in the line drawing
- Four boxes will be received when ordering this cabinet kit flat pack.
- Rollout Shelf glides are side mounted ball bearing with no soft close.

Accessory Base Cabinets - Single Full Height Door Three Rollout Shelf Base Kit

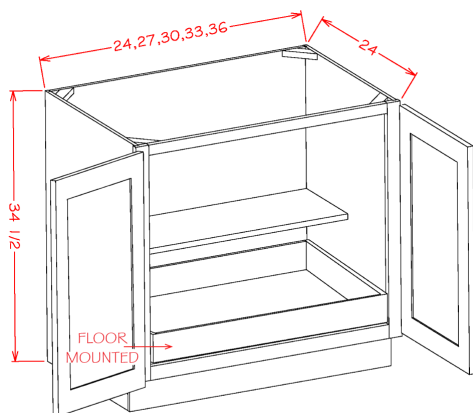


Model	Description	Width	Height	Depth
B18FH3RS	Cabinet Dimension	18	34½	24
	Door Dimension	17½	29	¾
	Rollout Shelf	13¾	3¾	20⅞
B21FH3RS	Cabinet Dimension	21	34½	24
	Door Dimension	20½	29	¾
	Rollout Shelf	16¾	3¾	20⅞

- Assembled cabinets with Rollout Shelf kits are ONLY installed as indicated in the line drawing
- Five boxes will be received when ordering this cabinet kit flat pack.
- Rollout Shelf glides are side mounted ball bearing with no soft close.

PRODUCT SPECIFICATIONS

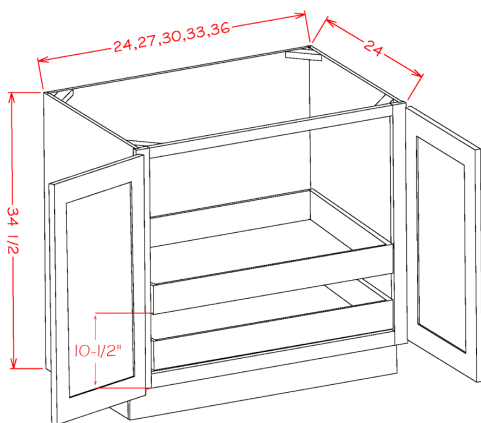
Accessory Base Cabinets - Double Full Height Door One Rollout Shelf Base Kit



- Assembled cabinets with Rollout Shelf kits are ONLY installed as indicated in the line drawing
- Three boxes will be received when ordering this cabinet kit flat pack.
- Rollout Shelf glides are side mounted ball bearing with no soft close.

Model	Description	Width	Height	Depth
B24FH1RS	Cabinet Dimension	24	34½	24
	Door Dimension	11¾	29	¾
	Rollout Shelf	19½	3¾	20⅞
B27FH1RS	Cabinet Dimension	27	34½	24
	Door Dimension	13¾	29	¾
	Rollout Shelf	22½	3¾	20⅞
B30FH1RS	Cabinet Dimension	30	34½	24
	Door Dimension	14¾	29	¾
	Rollout Shelf	25¾	3¾	20⅞
B33FH1RS	Cabinet Dimension	33	34½	24
	Door Dimension	16¾	29	¾
	Rollout Shelf	28¾	3¾	20⅞
B36FH1RS	Cabinet Dimension	36	34½	24
	Door Dimension	17¾	29	¾
	Rollout Shelf	31¾	3¾	20⅞

Accessory Base Cabinets - Double Full Height Door Two Rollout Shelf Base Kit

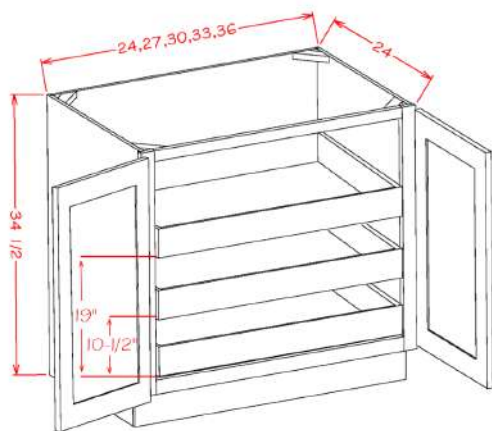


- Assembled cabinets with Rollout Shelf kits are ONLY installed as indicated in the line drawing
- Four boxes will be received when ordering this cabinet kit flat pack.
- Rollout Shelf glides are side mounted ball bearing with no soft close.

Model	Description	Width	Height	Depth
B24FH2RS	Cabinet Dimension	24	34½	24
	Door Dimension	11¾	29	¾
	Rollout Shelf	19½	3¾	20⅞
B27FH2RS	Cabinet Dimension	27	34½	24
	Door Dimension	13¾	29	¾
	Rollout Shelf	22½	3¾	20⅞
B30FH2RS	Cabinet Dimension	30	34½	24
	Door Dimension	14¾	29	¾
	Rollout Shelf	25¾	3¾	20⅞
B33FH2RS	Cabinet Dimension	33	34½	24
	Door Dimension	16¾	29	¾
	Rollout Shelf	28¾	3¾	20⅞
B36FH2RS	Cabinet Dimension	36	34½	24
	Door Dimension	17¾	29	¾
	Rollout Shelf	31¾	3¾	20⅞

PRODUCT SPECIFICATIONS

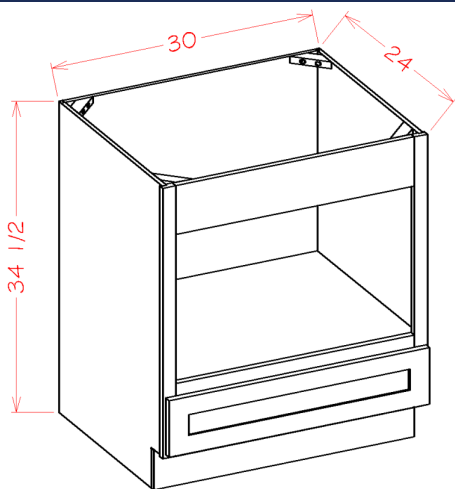
Accessory Base Cabinets - Double Full Height Door Three Rollout Shelf Base Kit



- Assembled cabinets with Rollout Shelf kits are ONLY installed as indicated in the line drawing
- Five boxes will be received when ordering this cabinet kit flat pack.
- Rollout Shelf glides are side mounted ball bearing with no soft close.

Model	Description	Width	Height	Depth
B24FH3RS	Cabinet Dimension	24	34½	24
	Door Dimension	11¾	29	¾
	Rollout Shelf	19½	3¾	20⅞
B27FH3RS	Cabinet Dimension	27	34½	24
	Door Dimension	13¾	29	¾
	Rollout Shelf	22½	3¾	20⅞
B30FH3RS	Cabinet Dimension	30	34½	24
	Door Dimension	14¾	29	¾
	Rollout Shelf	25¾	3¾	20⅞
B33FH3RS	Cabinet Dimension	33	34½	24
	Door Dimension	16¾	29	¾
	Rollout Shelf	28¾	3¾	20⅞
B36FH3RS	Cabinet Dimension	36	34½	24
	Door Dimension	17¾	29	¾
	Rollout Shelf	31¾	3¾	20⅞

Specialty Bases - Base Microwave Cabinet

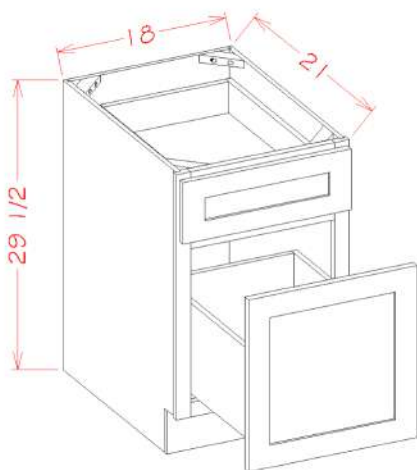


Model	Description	Width	Height	Depth
BMW30	Cabinet Dimension	30	34½	24
	Microwave Opening	26½	16½	23
	Drawer Front	29½	6¼	¾
	Drawer Box	26	3¾	21

- Microwave Opening trimmable to 20⅞" High
- Natural Interior

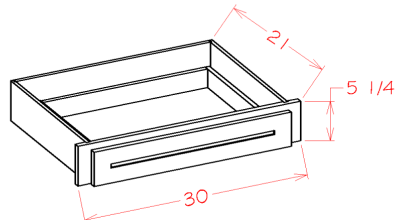
PRODUCT SPECIFICATIONS

Specialty Bases - Drawer File Base



Model	Description	Width	Height	Depth
DFB18	Cabinet Dimension	18	29½	21
	Top Drawer Front	17½	6¼	¾
	Bottom Drawer Front	17½	17½	¾
	Top Drawer Box	14	3¾	17¾
	Bottom Drawer Box	14	9¼	17¾

Specialty Bases - Desk Knee Drawer

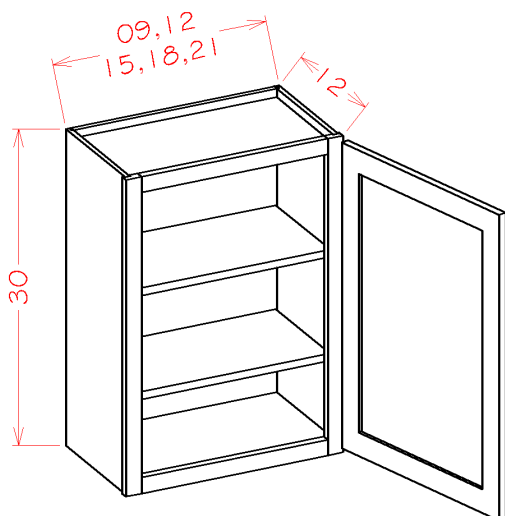


Model	Description	Width	Height	Depth
DKD30	Cabinet Dimension	30	5¼	21
	Drawer Front	26	4¾	¾
	Drawer Box	23	3¼	17¾

- Trimmable to 27" wide

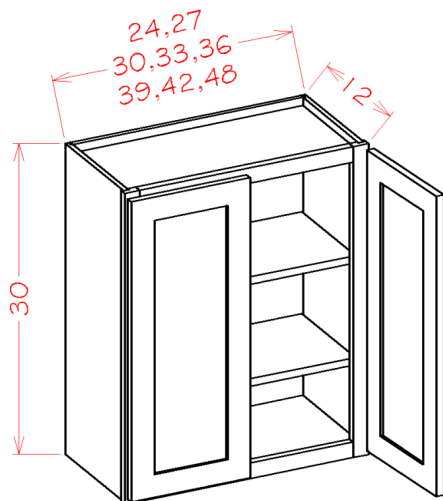
PRODUCT SPECIFICATIONS

30" High Wall Cabinets - Single Door *2 adjustable Shelves



Model	Description	Width	Height	Depth
W0930	Cabinet Dimension	9	30	12
	Door Dimension	8½	29	¾
W1230	Cabinet Dimension	12	30	12
	Door Dimension	11½	29	¾
W1530	Cabinet Dimension	15	30	12
	Door Dimension	14½	29	¾
W1830	Cabinet Dimension	18	30	12
	Door Dimension	17½	29	¾
W2130	Cabinet Dimension	21	30	12
	Door Dimension	20½	29	¾

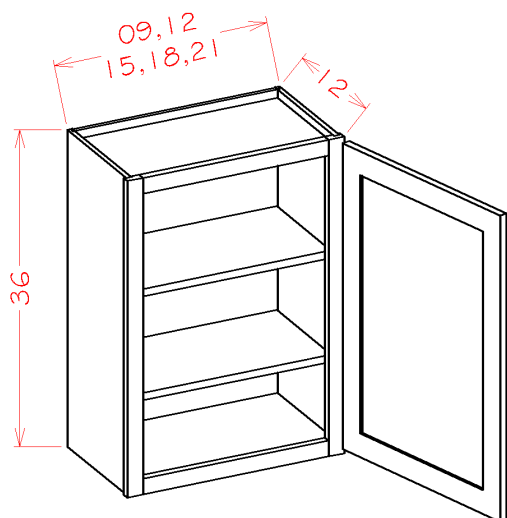
30" High Wall Cabinets - Double Door *2 adjustable Shelves



Model	Description	Width	Height	Depth
W2430	Cabinet Dimension	24	30	12
	Door Dimension	11¾	29	¾
W2730	Cabinet Dimension	27	30	12
	Door Dimension	13¼	29	¾
W3030	Cabinet Dimension	30	30	12
	Door Dimension	14¾	29	¾
W3330	Cabinet Dimension	33	30	12
	Door Dimension	16¼	29	¾
W3630	Cabinet Dimension	36	30	12
	Door Dimension	17¾	29	¾

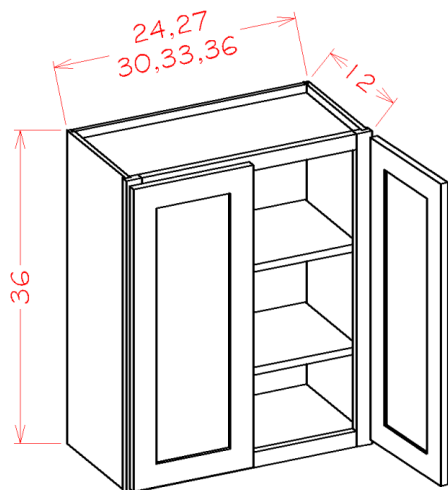
PRODUCT SPECIFICATIONS

36" High Wall Cabinets - Single Door *2 adjustable Shelves



Model	Description	Width	Height	Depth
W0936	Cabinet Dimension	9	36	12
	Door Dimension	8½	35	¾
W1236	Cabinet Dimension	12	36	12
	Door Dimension	11½	35	¾
W1536	Cabinet Dimension	15	36	12
	Door Dimension	14½	35	¾
W1836	Cabinet Dimension	18	36	12
	Door Dimension	17½	35	¾
W2136	Cabinet Dimension	21	36	12
	Door Dimension	20½	35	¾

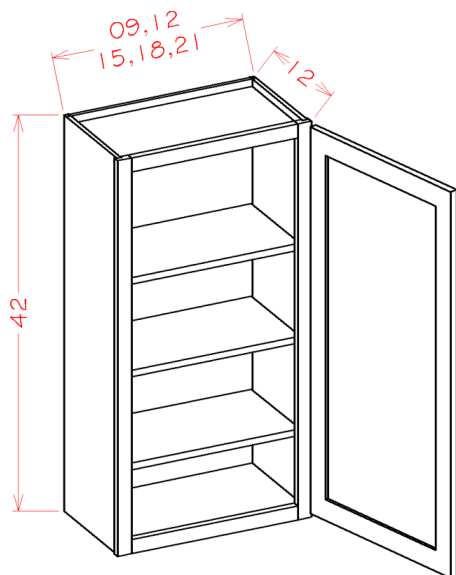
36" High Wall Cabinets - Double Door *2 adjustable Shelves



Model	Description	Width	Height	Depth
W2436	Cabinet Dimension	24	36	12
	Door Dimension	11¾	35	¾
W2736	Cabinet Dimension	27	36	12
	Door Dimension	13¾	35	¾
W3036	Cabinet Dimension	30	36	12
	Door Dimension	14¾	35	¾
W3336	Cabinet Dimension	33	36	12
	Door Dimension	16¾	35	¾
W3636	Cabinet Dimension	36	36	12
	Door Dimension	17¾	35	¾

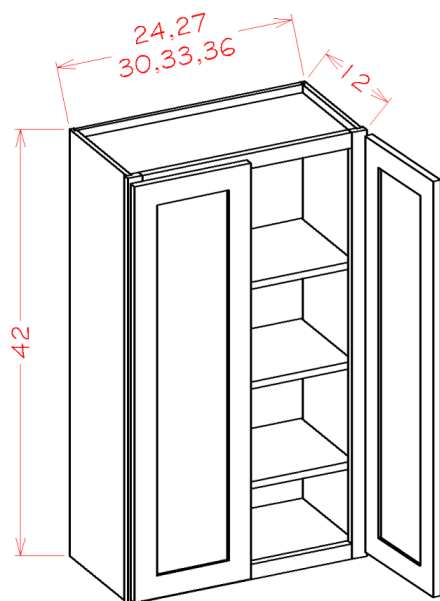
PRODUCT SPECIFICATIONS

42" High Wall Cabinets - Single Door *3 adjustable Shelves



Model	Description	Width	Height	Depth
W0942	Cabinet Dimension	9	42	12
	Door Dimension	8½	41	¾
W1242	Cabinet Dimension	12	42	12
	Door Dimension	11½	41	¾
W1542	Cabinet Dimension	15	42	12
	Door Dimension	14½	41	¾
W1842	Cabinet Dimension	18	42	12
	Door Dimension	17½	41	¾
W2142	Cabinet Dimension	21	42	12
	Door Dimension	20½	41	¾

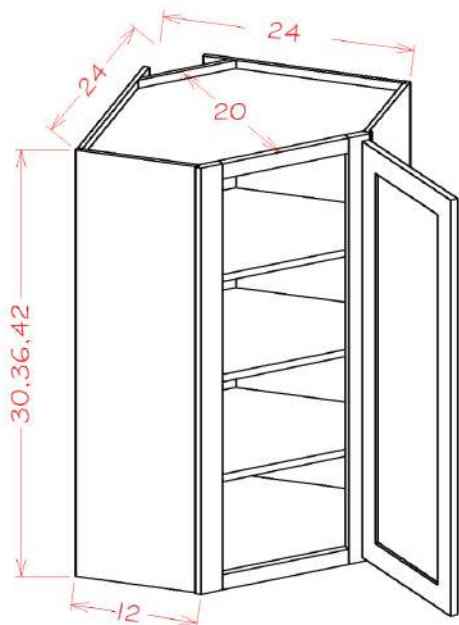
42" High Wall Cabinets - Double Door *3 adjustable Shelves



Model	Description	Width	Height	Depth
W2442	Cabinet Dimension	24	42	12
	Door Dimension	11¾	41	¾
W2742	Cabinet Dimension	27	42	12
	Door Dimension	13¾	41	¾
W3042	Cabinet Dimension	30	42	12
	Door Dimension	14¾	41	¾
W3342	Cabinet Dimension	33	42	12
	Door Dimension	16¾	41	¾
W3642	Cabinet Dimension	36	42	12
	Door Dimension	17¾	41	¾

PRODUCT SPECIFICATIONS

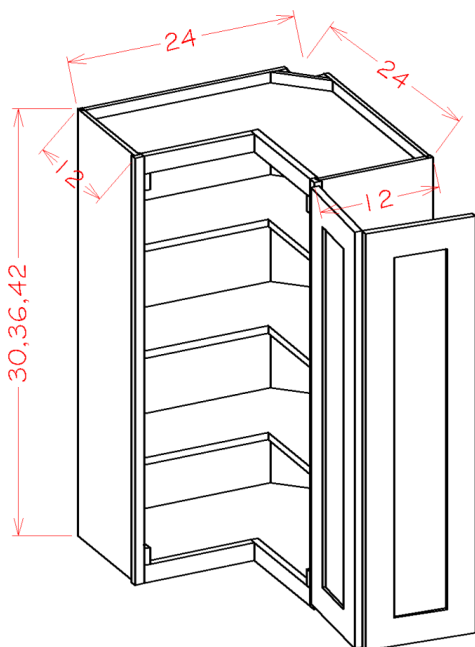
Diagonal Corner Wall Cabinets



Model	Description	Width	Height	Depth
DCW2430	Cabinet Dimension	24	30	12
	Door Dimension	15 $\frac{1}{4}$	29	$\frac{3}{4}$
DCW2436	Cabinet Dimension	24	36	12
	Door Dimension	15 $\frac{1}{4}$	35	$\frac{3}{4}$
DCW2442	Cabinet Dimension	24	42	12
	Door Dimension	15 $\frac{1}{4}$	41	$\frac{3}{4}$

- DCW Inside Openings are 12 $\frac{1}{8}$ " Wide
- 30 and 36"H cabinets only have two shelves.

Wall Easy Reach

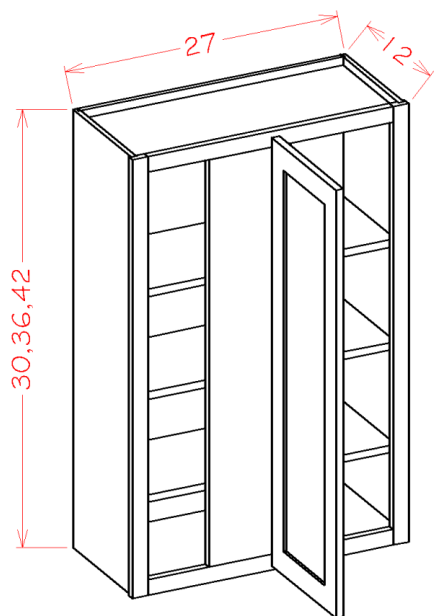


Model	Description	Width	Height	Depth
WER2430	Cabinet Dimension	24	30	12
	Door Dimension	10 $\frac{5}{8}$	29	$\frac{3}{4}$
WER2436	Cabinet Dimension	24	36	12
	Door Dimension	10 $\frac{5}{8}$	35	$\frac{3}{4}$
WER2442	Cabinet Dimension	24	42	12
	Door Dimension	10 $\frac{5}{8}$	41	$\frac{3}{4}$

- 30 and 36"H cabinets only have two shelves.

PRODUCT SPECIFICATIONS

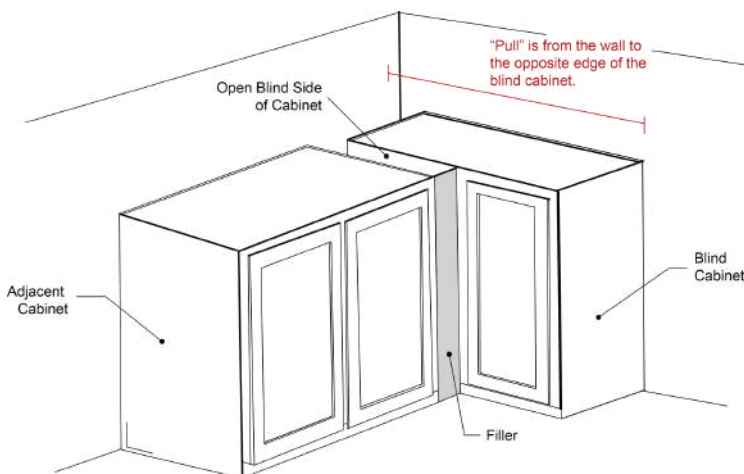
Wall Blind Cabinets



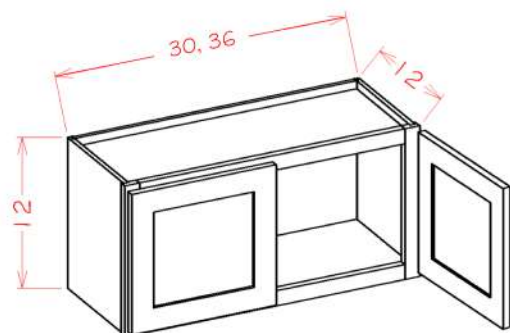
Box Size	Min	Max	Stile
27	28	31	8

- Must Use Filler (not supplied)

Model	Description	Width	Height	Depth
WBC2730	Cabinet Dimension	27	30	12
	Door Dimension	12½	29	¾
	Door Opening	7¾	26½	12
WBC2736	Cabinet Dimension	27	36	12
	Door Dimension	12½	35	¾
	Door Opening	7¾	32½	12
WBC2742	Cabinet Dimension	27	42	12
	Door Dimension	12½	41	¾
	Door Opening	7¾	38½	12



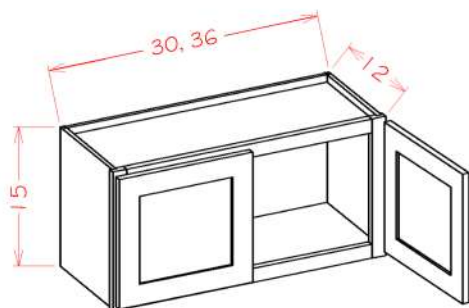
Bridge Cabinets - 12" High



Model	Description	Width	Height	Depth
W3012	Cabinet Dimension	30	12	12
	Door Dimension	14¾	11	¾
W3612	Cabinet Dimension	36	12	12
	Door Dimension	17¾	11	¾

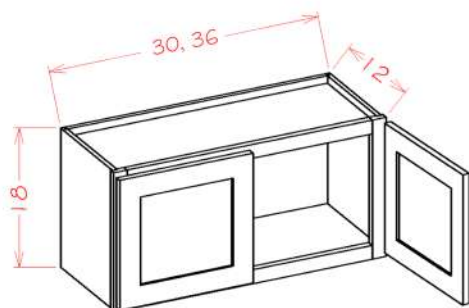
PRODUCT SPECIFICATIONS

Bridge Cabinets - 15" High



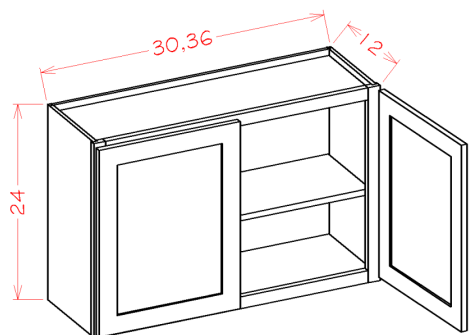
Model	Description	Width	Height	Depth
W3015	Cabinet Dimension	30	15	12
	Door Dimension	14 ³ / ₄	14	³ / ₄
W3615	Cabinet Dimension	36	15	12
	Door Dimension	17 ³ / ₄	14	³ / ₄

Bridge Cabinets - 18" High



Model	Description	Width	Height	Depth
W3018	Cabinet Dimension	30	18	12
	Door Dimension	14 ³ / ₄	17	³ / ₄
W3618	Cabinet Dimension	36	18	12
	Door Dimension	17 ³ / ₄	17	³ / ₄

Bridge Cabinets - 24" High

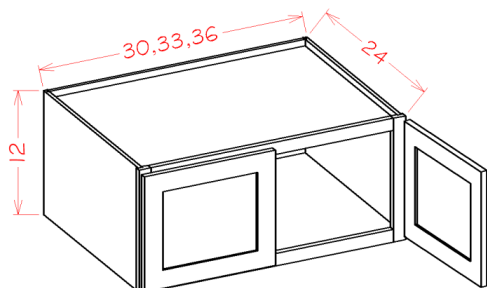


Model	Description	Width	Height	Depth
W3024	Cabinet Dimension	30	24	12
	Door Dimension	14 ³ / ₄	23	³ / ₄
W3624	Cabinet Dimension	36	24	12
	Door Dimension	17 ³ / ₄	23	³ / ₄

- All 24" High Cabinets Include One Inner Shelf

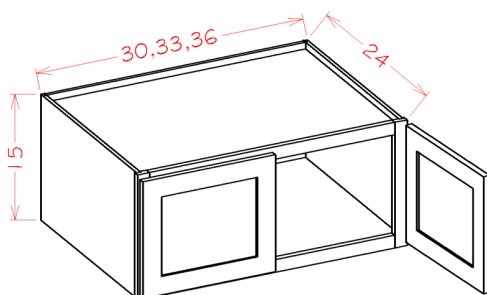
PRODUCT SPECIFICATIONS

Wall Refrigerator Cabinets - 12" H (24" deep)



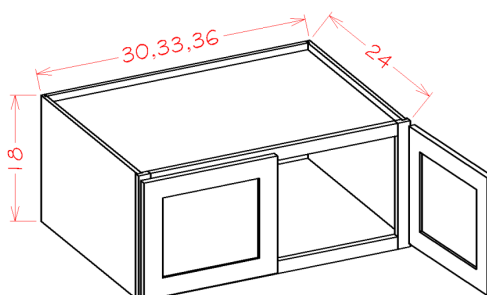
Model	Description	Width	Height	Depth
W301224	Cabinet Dimension	30	12	24
	Door Dimension	14 ³ / ₄	11	³ / ₄
W331224	Cabinet Dimension	33	12	24
	Door Dimension	16 ¹ / ₂	11	³ / ₄
W361224	Cabinet Dimension	36	12	24
	Door Dimension	17 ³ / ₄	11	³ / ₄

Wall Refrigerator Cabinets - 15" H (24" deep)



Model	Description	Width	Height	Depth
W301524	Cabinet Dimension	30	15	24
	Door Dimension	14 ³ / ₄	14	³ / ₄
W331524	Cabinet Dimension	33	15	24
	Door Dimension	16 ¹ / ₂	14	³ / ₄
W361524	Cabinet Dimension	36	15	24
	Door Dimension	17 ³ / ₄	14	³ / ₄

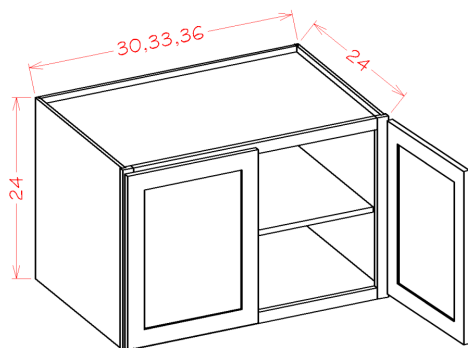
Wall Refrigerator Cabinets - 18" H (24" deep)



Model	Description	Width	Height	Depth
W301824	Cabinet Dimension	30	18	24
	Door Dimension	14 ³ / ₄	17	³ / ₄
W331824	Cabinet Dimension	33	18	24
	Door Dimension	16 ¹ / ₂	17	³ / ₄
W361824	Cabinet Dimension	36	18	24
	Door Dimension	17 ³ / ₄	17	³ / ₄

PRODUCT SPECIFICATIONS

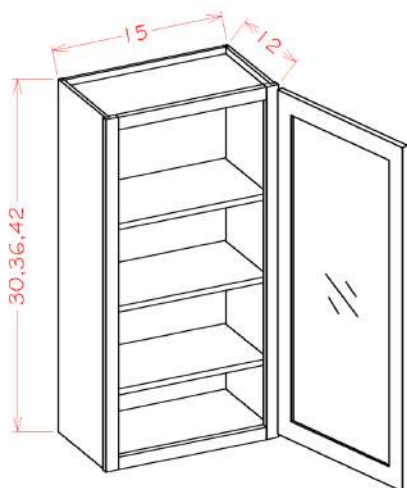
Wall Refrigerator Cabinets - 24" H (24" deep)



Model	Description	Width	Height	Depth
W302424	Cabinet Dimension	30	24	24
	Door Dimension	14¾	23	¾
W332424	Cabinet Dimension	33	24	24
	Door Dimension	16½	23	¾
W362424	Cabinet Dimension	36	24	24
	Door Dimension	17¾	23	¾

- All 24" High Cabinets Include One Inner Shelf

Glass Door Wall Cabinets - Single Door

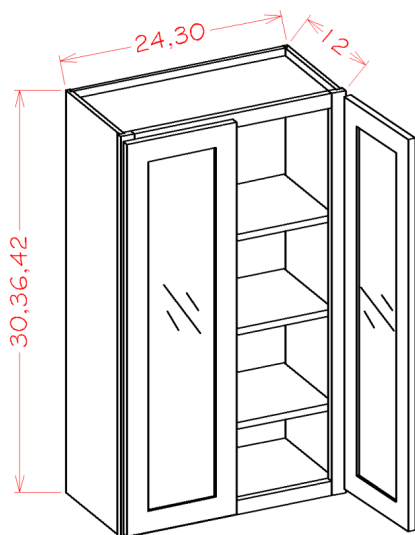


Model	Description	Width	Height	Depth
W1530GD	Cabinet Dimension	15	30	12
	Door Dimension	14½	29	¾
W1536GD	Cabinet Dimension	15	36	12
	Door Dimension	14½	35	¾
W1542GD	Cabinet Dimension	15	42	12
	Door Dimension	14½	41	¾

- These cabinets do not come with mullions or glass
- The interior is painted/stained to match the exterior

PRODUCT SPECIFICATIONS

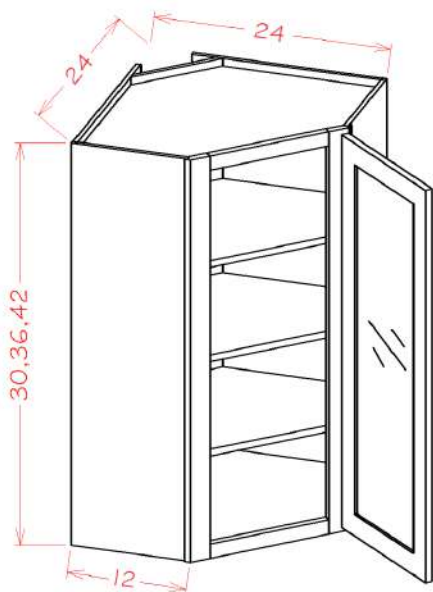
Glass Door Wall Cabinets - Double Door



Model	Description	Width	Height	Depth
W2430GD	Cabinet Dimension	24	30	12
	Door Dimension	11 ³ / ₄	29	³ / ₄
W2436GD	Cabinet Dimension	24	36	12
	Door Dimension	11 ³ / ₄	35	³ / ₄
W2442GD	Cabinet Dimension	24	42	12
	Door Dimension	11 ³ / ₄	41	³ / ₄
W3030GD	Cabinet Dimension	30	30	12
	Door Dimension	14 ³ / ₄	29	³ / ₄
W3036GD	Cabinet Dimension	30	36	12
	Door Dimension	14 ³ / ₄	35	³ / ₄
W3042GD	Cabinet Dimension	30	42	12
	Door Dimension	14 ³ / ₄	41	³ / ₄

- These cabinets do not come with mullions or glass
- The interior is painted/stained to match the exterior

Glass Door Diagonal Wall Cabinet

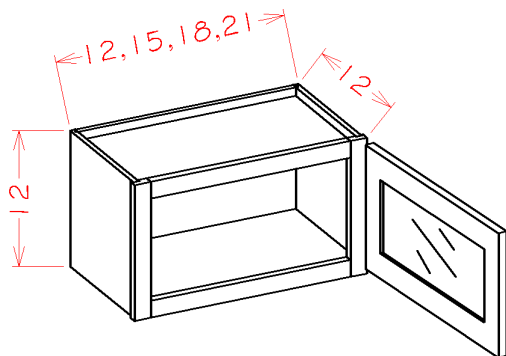


Model	Description	Width	Height	Depth
DCW2430GD	Cabinet Dimension	24	30	12
	Door Dimension	15 ¹ / ₄	29	³ / ₄
DCW2436GD	Cabinet Dimension	24	36	12
	Door Dimension	15 ¹ / ₄	35	³ / ₄
DCW2442GD	Cabinet Dimension	24	42	12
	Door Dimension	15 ¹ / ₄	41	³ / ₄

- These cabinets do not come with mullions or glass
- The interior is painted/stained to match the exterior
- DCW Inside Openings are 12¹/₈" Wide

PRODUCT SPECIFICATIONS

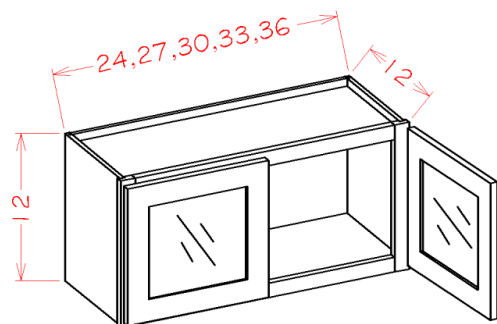
Glass Door Wall Stacker Cabinets 12" H - Single Door



Model	Description	Width	Height	Depth
W1212GD	Cabinet Dimension	12	12	12
	Door Dimension	11½	11	¾
W1512GD	Cabinet Dimension	15	12	12
	Door Dimension	14½	11	¾
W1812GD	Cabinet Dimension	18	12	12
	Door Dimension	17½	11	¾
W2112GD	Cabinet Dimension	21	12	12
	Door Dimension	20½	11	¾

- These cabinets do not come with mullions or glass
- The interior is painted/stained to match the exterior

Glass Door Wall Stacker Cabinets 12" H - Double Door

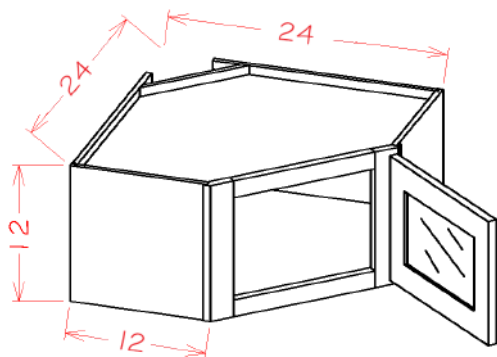


Model	Description	Width	Height	Depth
W2412GD	Cabinet Dimension	24	12	12
	Door Dimension	11¾	11	¾
W2712GD	Cabinet Dimension	27	12	12
	Door Dimension	13¾	11	¾
W3012GD	Cabinet Dimension	30	12	12
	Door Dimension	14¾	11	¾
W3312GD	Cabinet Dimension	33	12	12
	Door Dimension	16¼	11	¾
W3612GD	Cabinet Dimension	36	12	12
	Door Dimension	17¾	11	¾

- These cabinets do not come with mullions or glass
- The interior is painted/stained to match the exterior

PRODUCT SPECIFICATIONS

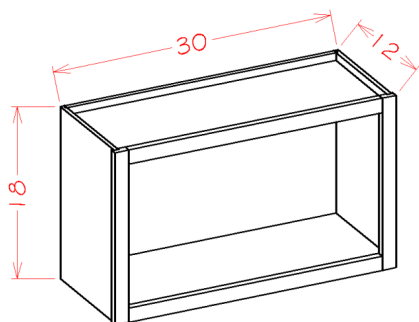
Glass Door Diagonal Wall Stacker Cabinets 12" H



Model	Description	Width	Height	Depth
DCW2412GD	Cabinet Dimension	24	12	12
	Door Dimension	15¼	11	¾

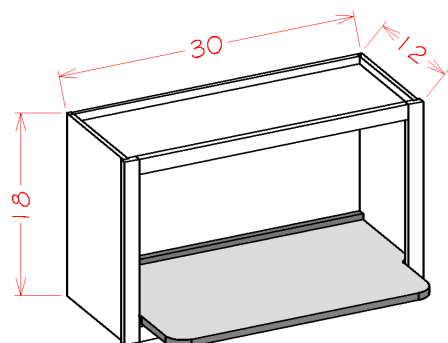
- These cabinets do not come with mullions or glass
- The interior is painted/stained to match the exterior

Wall Accessory Cabinets - Wall Open Cabinet



Model	Description	Width	Height	Depth
WOC3018	Cabinet Dimension	30	18	12
	No Doors	N/A	N/A	N/A

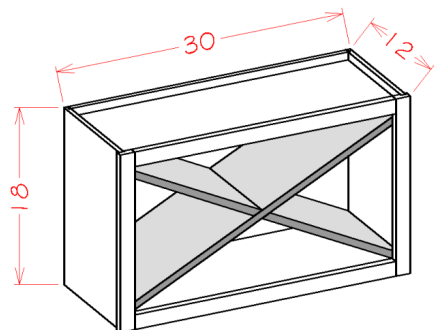
Wall Accessory Cabinets - Wall Open Cabinet Microwave Shelf Insert



Model	Description	Width	Height	Depth
WMSHELF	Installed Shelf Dimension	26½	¾	17

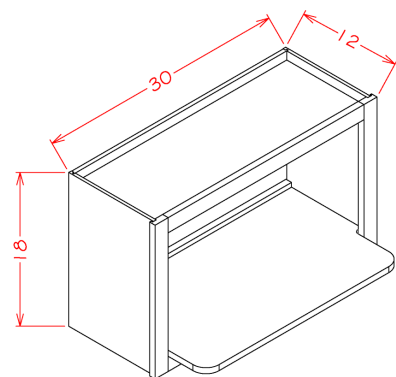
PRODUCT SPECIFICATIONS

Wall Accessory Cabinets - Wall Open Cabinet - X Rack Insert



Model	Description	Width	Height	Depth
WXRSHLF	Installed Shelf Dimension	26½	14½	11

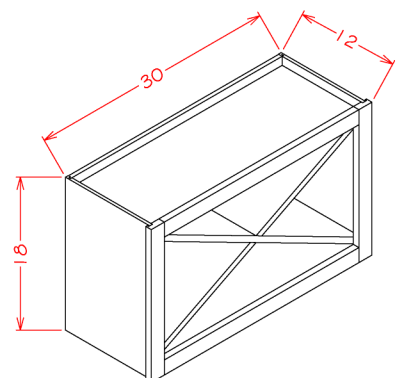
Wall Accessory Cabinets - Wall Microwave Cabinet Kits



Model	Description	Width	Height	Depth
WMS3018	Cabinet Dimension	30	18	12
	Shelf Dimension	26½	¾	17

- Two boxes will be received when ordering this cabinet kit flat pack.

Wall Accessory Cabinets - Wall X Rack Cabinet Kit

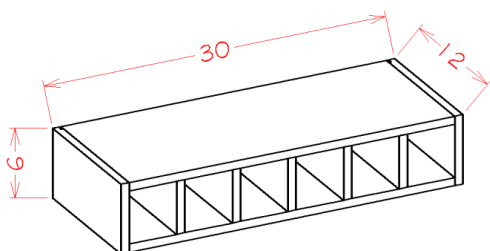


Model	Description	Width	Height	Depth
WXR3018	Cabinet Dimension	30	18	12
	Shelf Dimension	26½	14½	11

- Two boxes will be received when ordering this cabinet kit flat pack.

PRODUCT SPECIFICATIONS

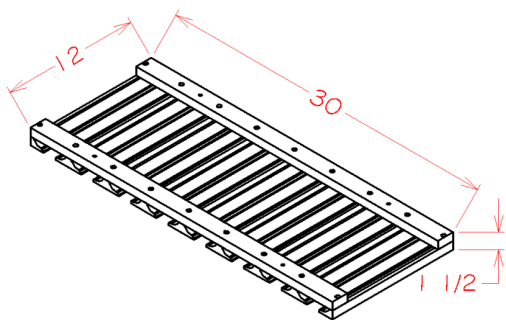
Wall Accessory Cabinets - Wine Cubby



Model	Description	Width	Height	Depth
WWC630	Cabinet Dimension	30	6	12

- Fits 6 Bottles

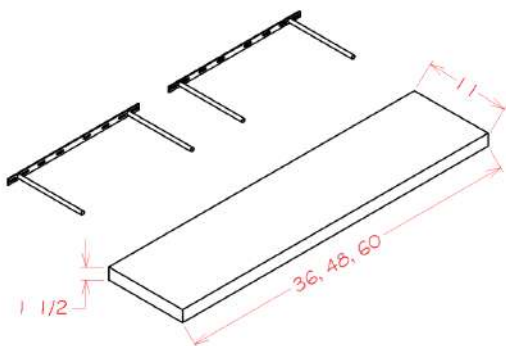
Specialty Wall - Stem Glass Holder



Model	Description	Width	Height	Depth
SGH30	Dimension	30	1½	12

- Allows for stemmed glasses with bases up to 3"W.

Specialty Wall - Floating Shelves

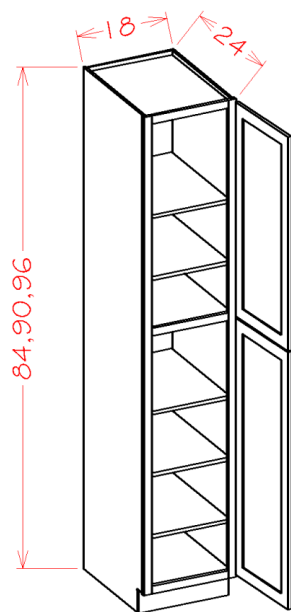


Model	Description	Width	Height	Depth
FS36	Dimension	36	1½	11
FS48	Dimension	48	1½	11
FS60	Dimension	60	1½	11

- 36"W floating shelf only has one mounting bracket.
- Recommended Max Weight: 25 lbs

PRODUCT SPECIFICATIONS

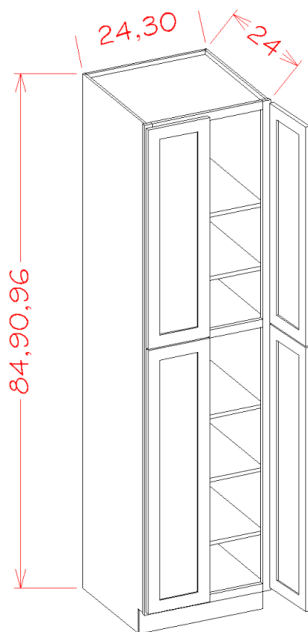
Utility Cabinets - Two Doors



Model	Description	Width	Height	Depth
U188424	Cabinet Dimension	18	84	24
	Top Door Dimension	17½	29	¾
	Bottom Door Dimension	17½	49¼	¾
U189024	Cabinet Dimension	18	90	24
	Top Door Dimension	17½	35	¾
	Bottom Door Dimension	17½	49¼	¾
U189624	Cabinet Dimension	18	96	24
	Top Door Dimension	17½	41	¾
	Bottom Door Dimension	17½	49¼	¾

- Silverton & Langston doors have a horizontal rail in the center of the bottom door.

Utility Cabinets - Four Doors

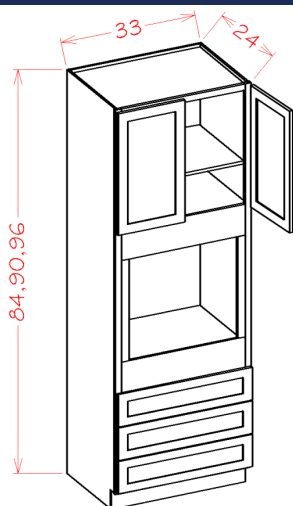


Model	Description	Width	Height	Depth
U248424	Cabinet Dimension	24	84	24
	Top Door Dimension	11¾	29	¾
	Bottom Door Dimension	11¾	49¼	¾
U249024	Cabinet Dimension	24	90	24
	Top Door Dimension	11¾	35	¾
	Bottom Door Dimension	11¾	49¼	¾
U249624	Cabinet Dimension	24	96	24
	Top Door Dimension	11¾	41	¾
	Bottom Door Dimension	11¾	49¼	¾
U309024	Cabinet Dimension	30	90	24
	Top Door Dimension	14¾	35	¾
	Bottom Door Dimension	14¾	49¼	¾
U309624	Cabinet Dimension	30	96	24
	Top Door Dimension	14¾	41	¾
	Bottom Door Dimension	14¾	49¼	¾

- Silverton & Langston doors have a horizontal rail in the center of the bottom door.

PRODUCT SPECIFICATIONS

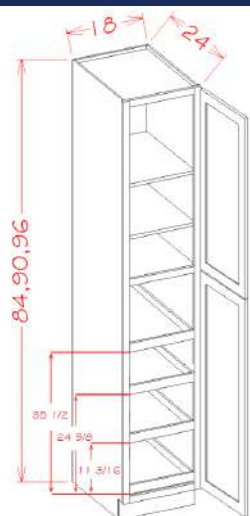
Oven Cabinets



- Oven opening can be modified to accommodate a double oven
- Height up to 46" with removal of top drawers/cut down of top rails
- Width up to 31½" wide with cut down of stiles

Model	Description	Width	Height	Depth
O338424	Cabinet Dimension	33	84	24
	Door Dimension	16¼	17	¾
	Drawer Fronts	32½	7¾	¾
	Drawer Boxes	29	5⅛	20¾
	Oven Opening	26½	24¾	22¾
O339024	Cabinet Dimension	33	90	24
	Door Dimension	16¼	23	¾
	Drawer Fronts	32½	7¾	¾
	Drawer Boxes	29	5⅛	20¾
	Oven Opening	26½	24¾	22¾
O339624	Cabinet Dimension	33	96	24
	Door Dimension	16¼	29	¾
	Drawer Fronts	32½	7¾	¾
	Oven Opening	26½	24¾	22¾

Accessory Tall Cabinets - Two Door Utility Four Rollout Shelf Cabinet Kit

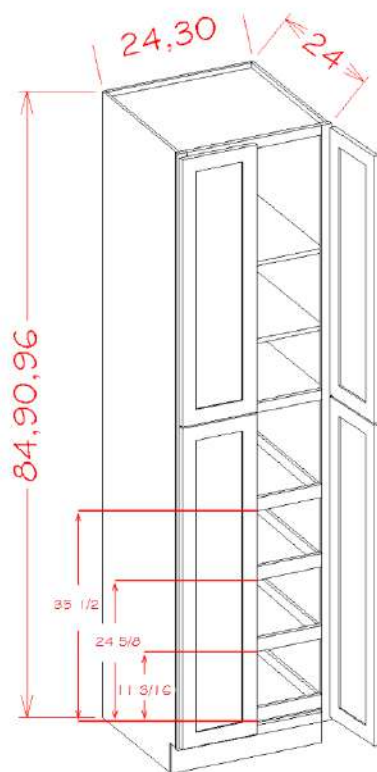


- Silverton & Langston doors have a horizontal rail in the center of the bottom door.
- Assembled cabinets with Rollout Shelf kits are ONLY installed as indicated in the line drawing
- Five boxes will be received when ordering this cabinet kit flat pack.
- Rollout Shelf glides are side mounted ball bearing with no soft close.

Model	Description	Width	Height	Depth
U188424RS	Cabinet Dimension	18	84	24
	Top Door Dimension	17½	29	¾
	Bottom Door Dimension	17½	49¼	¾
	Rollout Shelf	13¾	3¾	20⅞
U189024RS	Cabinet Dimension	18	90	24
	Top Door Dimension	17½	35	¾
	Bottom Door Dimension	17½	49¼	¾
	Rollout Shelf	13¾	3¾	20⅞
U189624RS	Cabinet Dimension	18	96	24
	Top Door Dimension	17½	41	¾
	Rollout Shelf	13¾	3¾	20⅞

PRODUCT SPECIFICATIONS

Accessory Tall Cabinets - Four Door Utility Four Rollout Shelf Cabinet Kit

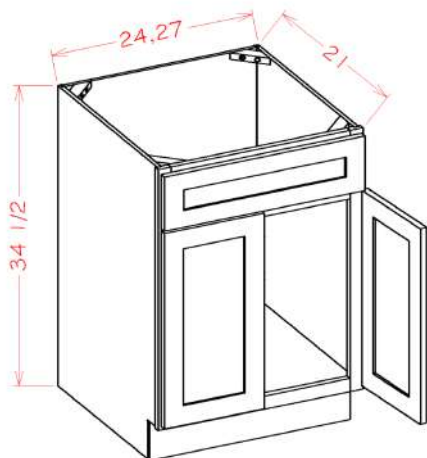


Model	Description	Width	Height	Depth
U2484244RS	Cabinet Dimension	24	84	24
	Top Door Dimension	11 $\frac{3}{4}$	29	$\frac{3}{4}$
	Bottom Door Dimension	11 $\frac{3}{4}$	49 $\frac{1}{4}$	$\frac{3}{4}$
	Rollout Shelf	19 $\frac{1}{2}$	3 $\frac{3}{8}$	20 $\frac{7}{16}$
U2490244RS	Cabinet Dimension	24	90	24
	Top Door Dimension	11 $\frac{3}{4}$	35	$\frac{3}{4}$
	Bottom Door Dimension	11 $\frac{3}{4}$	49 $\frac{1}{4}$	$\frac{3}{4}$
	Rollout Shelf	19 $\frac{1}{2}$	3 $\frac{3}{8}$	20 $\frac{7}{16}$
U2496244RS	Cabinet Dimension	24	96	24
	Top Door Dimension	11 $\frac{3}{4}$	41	$\frac{3}{4}$
	Bottom Door Dimension	11 $\frac{3}{4}$	49 $\frac{1}{4}$	$\frac{3}{4}$
	Rollout Shelf	19 $\frac{1}{2}$	3 $\frac{3}{8}$	20 $\frac{7}{16}$
U3090244RS	Cabinet Dimension	30	90	24
	Top Door Dimension	14 $\frac{3}{4}$	35	$\frac{3}{4}$
	Bottom Door Dimension	14 $\frac{3}{4}$	49 $\frac{1}{4}$	$\frac{3}{4}$
	Rollout Shelf	25 $\frac{3}{8}$	3 $\frac{3}{8}$	20 $\frac{7}{16}$
U3096244RS	Cabinet Dimension	30	96	24
	Top Door Dimension	14 $\frac{3}{4}$	41	$\frac{3}{4}$
	Bottom Door Dimension	14 $\frac{3}{4}$	49 $\frac{1}{4}$	$\frac{3}{4}$
	Rollout Shelf	25 $\frac{3}{8}$	3 $\frac{3}{8}$	20 $\frac{7}{16}$

- Silverton & Langston doors have a horizontal rail in the center of the bottom door.
- Assembled cabinets with Rollout Shelf kits are ONLY installed as indicated in the line drawing
- Five boxes will be received when ordering this cabinet kit flat pack.
- Rollout Shelf glides are side mounted ball bearing with no soft close.

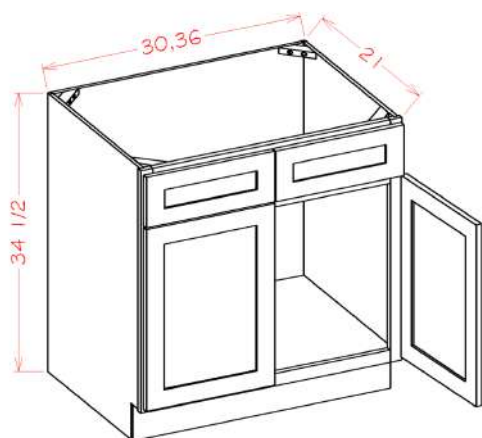
PRODUCT SPECIFICATIONS

Vanity Sink Bases - Double Door Single Drawer Front



Model	Description	Width	Height	Depth
VS24	Cabinet Dimension	24	34½	21
	Door Dimension	11¾	22½	¾
	Drawer Front	23½	6¼	¾
VS27	Cabinet Dimension	27	34½	21
	Door Dimension	13¾	22½	¾
	Drawer Front	26½	6¼	¾

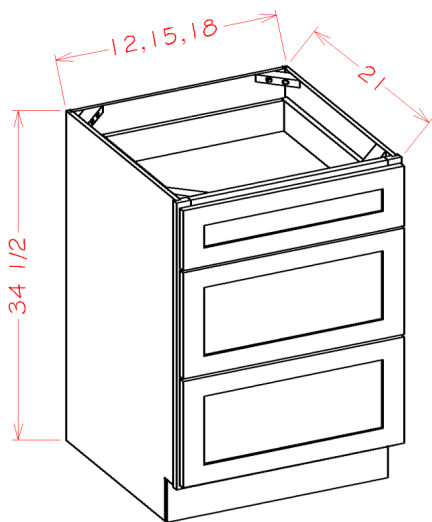
Vanity Sink Bases - Double Door Double Drawer Front



Model	Description	Width	Height	Depth
VS30	Cabinet Dimension	30	34½	21
	Door Dimension	14¾	22½	¾
	Drawer Front	14¾	6¼	¾
VS36	Cabinet Dimension	36	34½	21
	Door Dimension	17¾	22½	¾
	Drawer Front	17¾	6¼	¾

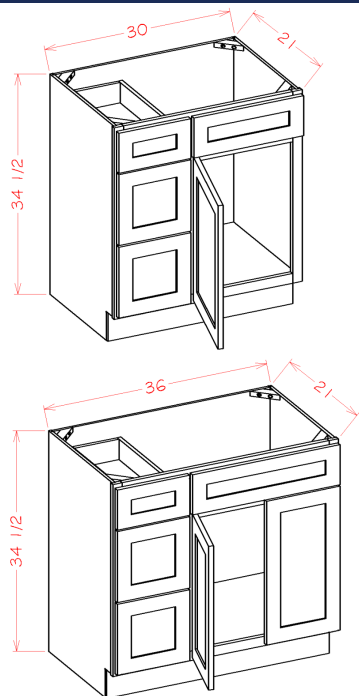
PRODUCT SPECIFICATIONS

Vanity Drawer Bases



Model	Description	Width	Height	Depth
3VDB12	Cabinet Dimension	12	34½	21
	Top Drawer Front	11½	6¼	¾
	Bottom Drawer Front	11½	11⅛	¾
	Top Drawer Box	8	3⅜	17⅜
	Bottom Drawer Box	8	8¼	17⅜
3VDB15	Cabinet Dimension	15	34½	21
	Top Drawer Front	14½	6¼	¾
	Bottom Drawer Front	14½	11⅛	¾
	Top Drawer Box	11	3⅜	17⅜
	Bottom Drawer Box	11	8¼	17⅜
3VDB18	Cabinet Dimension	18	34½	21
	Top Drawer Front	17½	6¼	¾
	Bottom Drawer Front	17½	11⅛	¾
	Top Drawer Box	14	3⅜	17⅜
	Bottom Drawer Box	14	8¼	17⅜

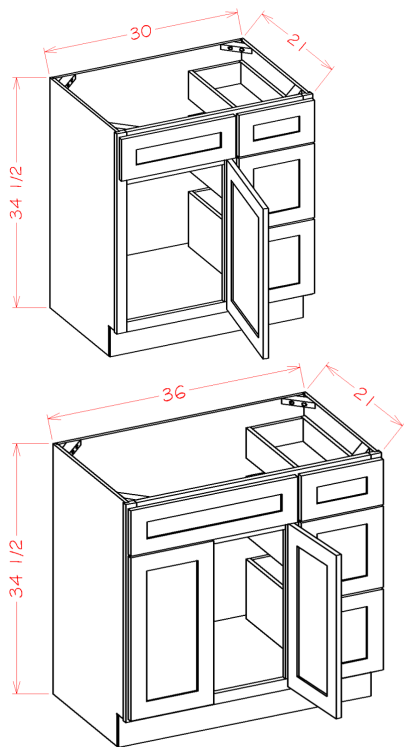
Vanity Combo Bases - Drawers Left



Model	Description	Width	Height	Depth
V3021DL	Cabinet Dimension	30	34½	21
	Top Drawer Front	11½	6¼	¾
	Bottom Drawer Front	11½	11⅛	¾
	Top Long Drawer Front	17½	6¼	¾
	Top Drawer Box	8	3⅜	18
	Bottom Drawer Box	8	8¼	18
	Door Dimension	17½	22½	¾
V3621DL	Cabinet Dimension	36	34½	21
	Top Drawer Front	11½	6¼	¾
	Bottom Drawer Front	11½	11⅛	¾
	Top Long Drawer Front	23½	6¼	¾
	Top Drawer Box	8	3⅜	18
	Bottom Drawer Box	8	8¼	18
	Door Dimension	11¾	22½	¾

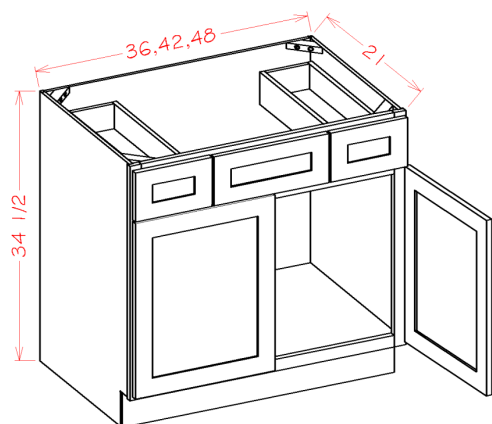
PRODUCT SPECIFICATIONS

Vanity Combo Bases - Drawers Right



Model	Description	Width	Height	Depth
V3021DR	Cabinet Dimension	30	34½	21
	Top Drawer Front	11½	6¼	¾
	Bottom Drawer Front	11½	11⅛	¾
	Top Long Drawer Front	17½	6¼	¾
	Top Drawer Box	8	3¾	18
	Bottom Drawer Box	8	8¼	18
	Door Dimension	17½	22½	¾
V3621DR	Cabinet Dimension	36	34½	21
	Top Drawer Front	11½	6¼	¾
	Bottom Drawer Front	11½	11⅛	¾
	Top Long Drawer Front	23½	6¼	¾
	Top Drawer Box	8	3¾	18
	Bottom Drawer Box	8	8¼	18
	Door Dimension	11¾	22½	¾

Vanity Combo Bases

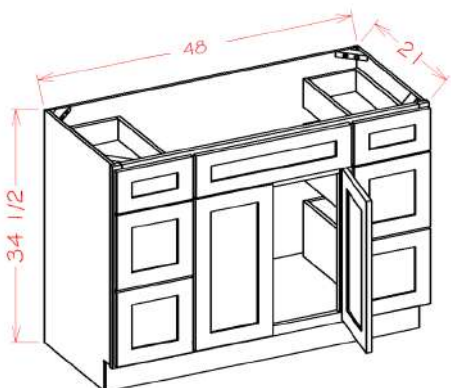
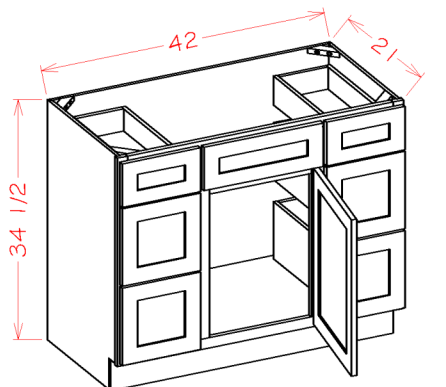


- The VSD42 & 48 have a center stile.

Model	Description	Width	Height	Depth
VSD36	Cabinet Dimension	36	34½	21
	Door Dimension	17¾	22½	¾
	Outside Drawer Front	10¼	6¼	¾
	Center Drawer Front	14½	6¼	¾
	Drawer Box	7¾	3¼	17¾
VSD42	Cabinet Dimension	42	34½	21
	Door Dimension	20¾	22½	¾
	Outside Drawer Front	11½	6¼	¾
	Center Drawer Front	18	6¼	¾
	Drawer Box	8⅞	3¼	17¾
VSD48	Cabinet Dimension	48	34½	21
	Door Dimension	23¾	22½	¾
	Outside Drawer Front	14½	6¼	¾
	Center Drawer Front	18	6¼	¾
	Drawer Box	11⅞	3¼	17¾

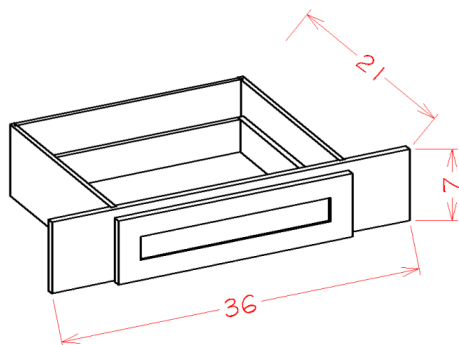
PRODUCT SPECIFICATIONS

Vanity Combo Bases - Double Drawer Stack



Model	Description	Width	Height	Depth
VDDB42	Cabinet Dimension	42	34½	21
	Top Drawer Front	11½	6¼	¾
	Bottom Drawer Front	11½	11⅛	¾
	Top Long Drawer Front	17 ⁵ / ₈	6¼	¾
	Top Drawer Box	8	3 ³ / ₈	18
	Bottom Drawer Box	8	8¼	18
	Door Dimension	17 ⁵ / ₈	22½	¾
VDDB48	Cabinet Dimension	48	34½	21
	Top Drawer Front	11½	6¼	¾
	Bottom Drawer Front	11½	11⅛	¾
	Top Long Drawer Front	23 ⁵ / ₈	6¼	¾
	Top Drawer Box	8	3 ³ / ₈	18
	Bottom Drawer Box	8	8¼	18
	Door Dimension	11¾	22½	¾

Special Vanity - Vanity Knee Drawer

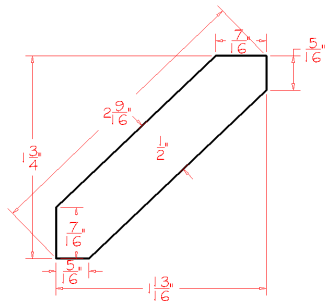


Model	Description	Width	Height	Depth
VKD36	Cabinet Dimension	36	7	21
	Drawer Front	23½	6¼	¾
	Drawer Box	19¾	3 ³ / ₈	17 ³ / ₈

- Trimmable to 27" wide

PRODUCT SPECIFICATIONS

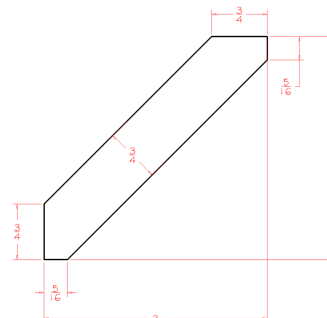
Crown Moulding - 1 3/4" H Angled Crown Moulding



Model	Description	Width	Height	Depth
ACM8	Dimension	96	1 3/4	1 13/16

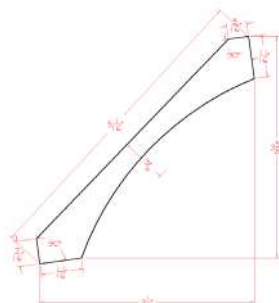
- Not available in Ellington

Crown Moulding - 3" H Angled Crown Moulding



Model	Description	Width	Height	Depth
LACM8	Dimension	96	3	3

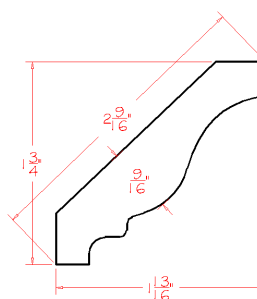
Crown Moulding - Cove Moulding



Model	Description	Width	Height	Depth
COV	Dimension	96	3 5/8	3 1/2

- Not available in Ellington Style

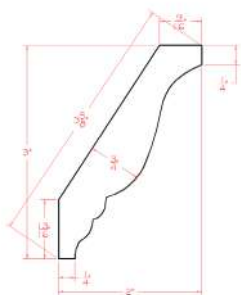
Crown Moulding - Classic Crown Moulding



Model	Description	Width	Height	Depth
CM8	Dimension	96	1 3/4	1 13/16

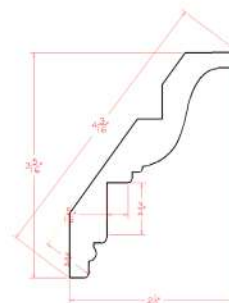
- Not available in Silverton or Langston Style

Crown Moulding - Decorative Crown Moulding



Model	Description	Width	Height	Depth
DCM	Dimension	96	3	2

Crown Moulding - Inset Crown Moulding

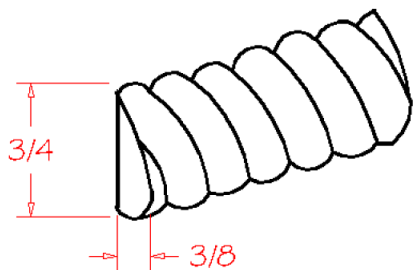


Model	Description	Width	Height	Depth
ICM	Dimension	96	3 5/16	2 1/2

- Not available in Silverton or Langston Style

PRODUCT SPECIFICATIONS

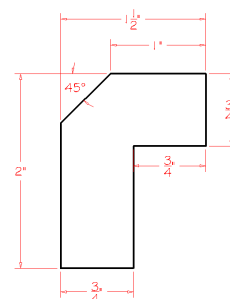
Mouldings - Rope Moulding



Model	Description	Width	Height	Depth
ROPE	Dimension	96	3/4	3/8

- Not available in Silverton or Langston Style

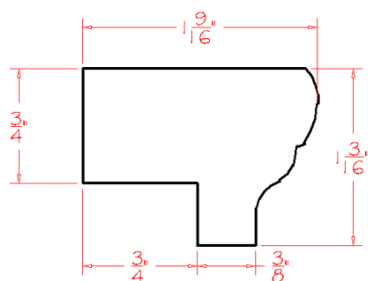
Mouldings - Angled Light Rail Moulding



Model	Description	Width	Height	Depth
ALRM	Dimension	96	1 1/2	2

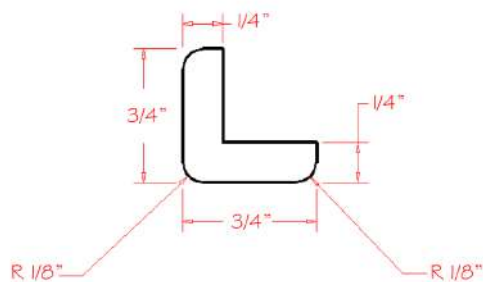
- Not available in Ellington

Mouldings - Light Rail Moulding



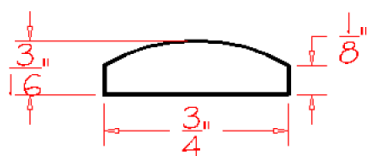
Model	Description	Width	Height	Depth
LRM	Dimension	96	1 3/16	1 9/16

Mouldings - Outside Corner Moulding



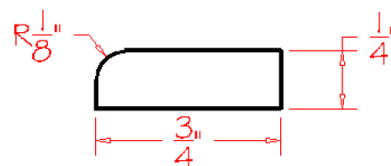
Model	Description	Width	Height	Depth
OCM	Dimension	96	3/4	3/4

Mouldings - Batten Moulding



Model	Description	Width	Height	Depth
BAM	Dimension	96	3/4	3/16

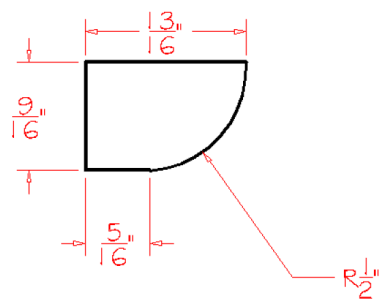
Mouldings - Scribe Moulding



Model	Description	Width	Height	Depth
SCR	Dimension	96	3/4	1/4

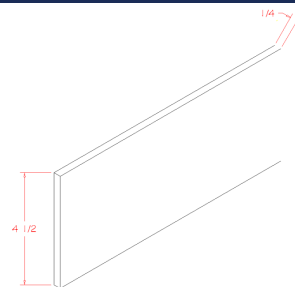
PRODUCT SPECIFICATIONS

Mouldings - Shoe Moulding



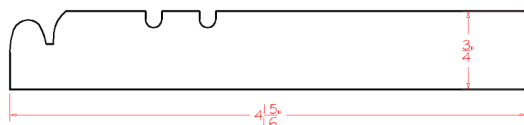
Model	Description	Width	Height	Depth
SHM	Dimension	96	3/4	1/2

Mouldings - Toe Kick Cover



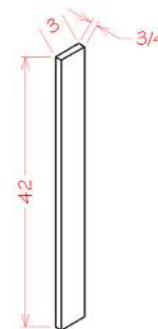
Model	Description	Width	Height	Depth
TKC	Dimension	96	4 1/2	1/4

Mouldings - Furniture Base Moulding



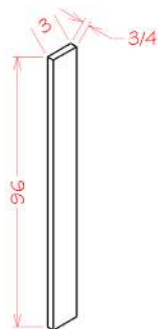
Model	Description	Width	Height	Depth
FBM	Dimension	96	4 15/16	3/4

Fillers - 3" Wall/Base Filler



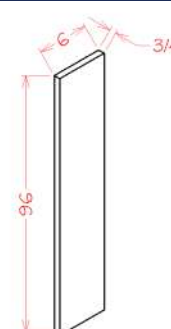
Model	Description	Width	Height	Depth
F342	Dimension	3	42	3/4

Fillers - 3" Tall Filler



Model	Description	Width	Height	Depth
F396	Dimension	3	96	3/4

Fillers - 6" Tall Filler



Model	Description	Width	Height	Depth
F696	Dimension	6	96	3/4

PRODUCT SPECIFICATIONS

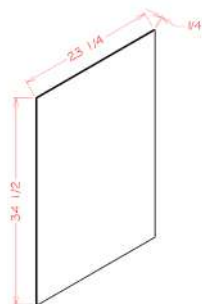
Filler Overlays



Model	Description	Width	Height	Depth
FOL630	Dimension	5½	29	¾
FOL636	Dimension	5½	35	¾
FOL642	Dimension	5½	41	¾

- Filler overlays have a matching door profile.
- 6" filler required for application (purchased separately)

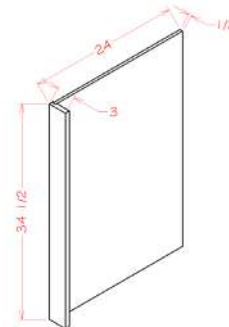
Panels - Base Skin Panel



Model	Description	Width	Height	Depth
BSV	Dimension	23¼	34½	¼

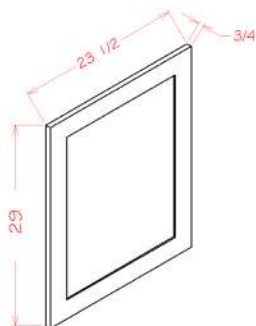
- Only finished on one side

Panels - Dishwasher Return Panel



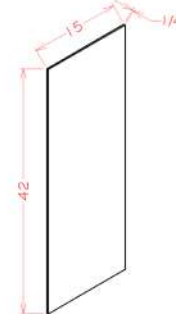
Model	Description	Width	Height	Depth
DWR3	Dimension	3	34½	24

Panels - Base Decorative End Panel



Model	Description	Width	Height	Depth
BDEP	Dimension	23½	29	¾

Panels - Wall Skin Panel

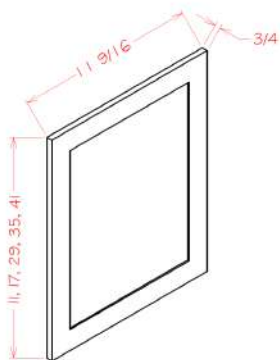


Model	Description	Width	Height	Depth
WSV42	Dimension	15	42	¼

- Only finished on one side

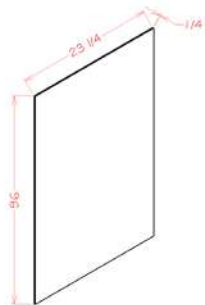
PRODUCT SPECIFICATIONS

Panels - Wall Decorative End Panel



Model	Description	Width	Height	Depth
WDEP1212	Dimension	11½	11	¾
WDEP1218	Dimension	11½	17	¾
WDEP30	Dimension	11½	29	¾
WDEP36	Dimension	11½	35	¾
WDEP42	Dimension	11½	41	¾

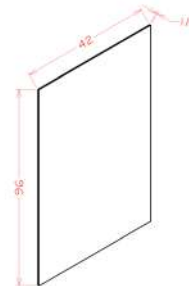
Panels - Utility Skin Panel



Model	Description	Width	Height	Depth
USV2496	Dimension	23 ¼	96	¼

- Only finished on one side

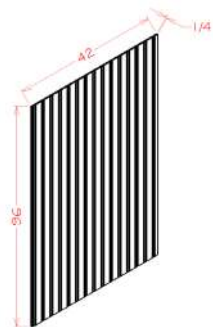
Panels - Long Skin Panel



Model	Description	Width	Height	Depth
FPV4296	Dimension	42	96	¼

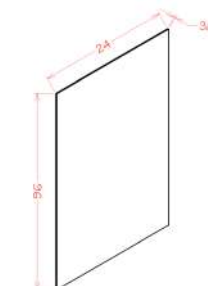
- Grain runs long way
- Only finished on one side

Panels - Bead Board Panel



Model	Description	Width	Height	Depth
BBFPV4296	Dimension	42	96	¼

Panels - Finished Shelf Board

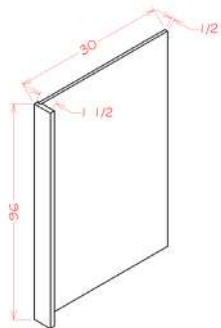


Model	Description	Width	Height	Depth
S2496	Dimension	24	96	¾

- One long edge banded to match
- Finished on both sides

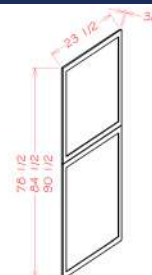
PRODUCT SPECIFICATIONS

Panels - Refrigerator End Panel



Model	Description	Width	Height	Depth
REPV3096	Dimension	1 1/2	96	30

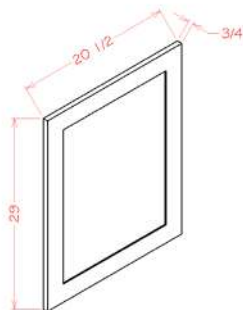
Panels - Tall Decorative End Panel



Model	Description	Width	Height	Depth
TDEP2484	Dimension	23 1/2	78 1/2	30
TDEP2490	Dimension	23 1/2	84 1/2	30
TDEP2496	Dimension	23 1/2	90 1/2	30

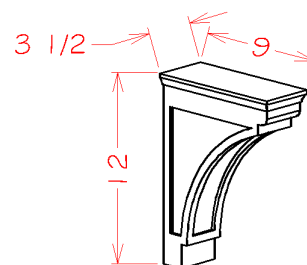
- Silverton & Langston panels have horizontal rail in the center of the bottom panel.

Panels - Vanity Decorative End Panel



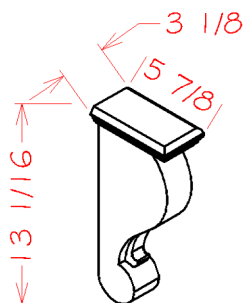
Model	Description	Width	Height	Depth
VDEP	Dimension	20 1/2	29	3/4

Corbels - Modern Corbel



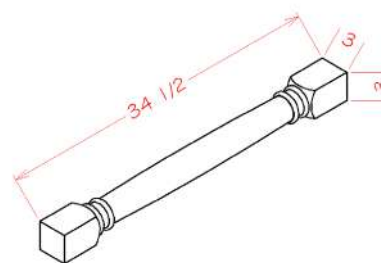
Model	Description	Width	Height	Depth
MCB	Dimension	3 1/2	12	9

Corbels - Traditional Corbel



Model	Description	Width	Height	Depth
CBT	Dimension	3 1/8	13 1/16	5 7/8

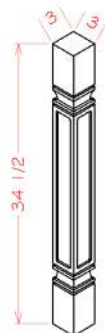
Decorative Legs - Classic Decorative Leg



Model	Description	Width	Height	Depth
CLDL	Dimension	3	34 1/2	3

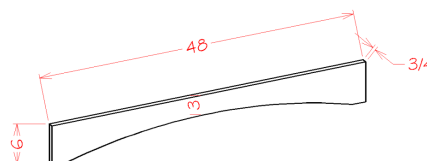
PRODUCT SPECIFICATIONS

Decorative Legs - Square Decorative Leg



Model	Description	Width	Height	Depth
SQDL	Dimension	3	34 1/2	3

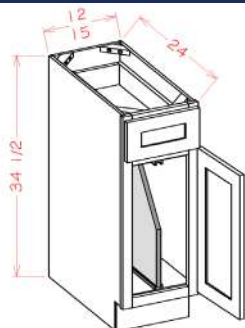
Valances - Shaker Valance



Model	Description	Width	Height	Depth
VASH48	Dimension	48	6	3/4

- Trimmable on each side by 1 1/4"
- Finished on both sides and two long edges

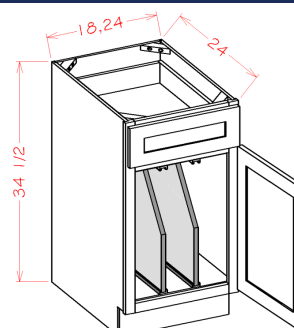
Accessories - Base Tray Divider



Model	Description	Width	Height	Depth
B12TDKIT	Dimension	3/4	21	22 1/2
B15TDKIT	Dimension	3/4	21	22 1/2

- Comes with one divider

Accessories - Base Tray Dividers

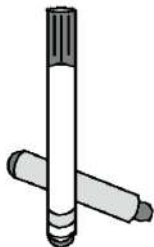


Model	Description	Width	Height	Depth
B18TDKIT	Dimension	3/4	21	22 1/2

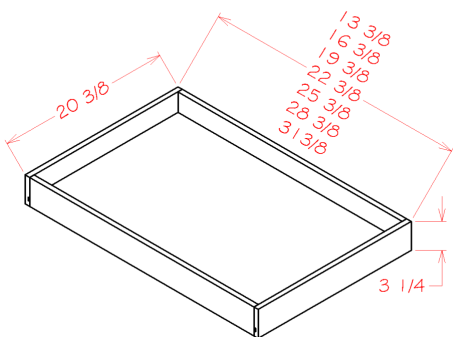
- Comes with two dividers

PRODUCT SPECIFICATIONS

Touch Up Kit - TUK



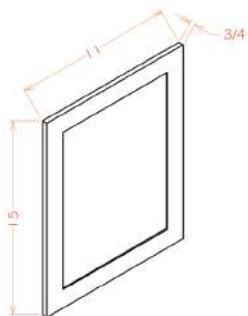
Roll Out Shelves



Model	Description	Width	Height	Depth
RS18-Type A	Dimension	13 ³ / ₈	3 ³ / ₈	20 ⁷ / ₁₆
RS21-Type A	Dimension	16 ³ / ₈	3 ³ / ₈	20 ⁷ / ₁₆
RS24-Type A	Dimension	19 ¹ / ₂	3 ³ / ₈	20 ⁷ / ₁₆
RS27-Type A	Dimension	22 ¹ / ₂	3 ³ / ₈	20 ⁷ / ₁₆
RS30-Type A	Dimension	25 ³ / ₈	3 ³ / ₈	20 ⁷ / ₁₆
RS33-Type A	Dimension	28 ³ / ₈	3 ³ / ₈	20 ⁷ / ₁₆
RS36-Type A	Dimension	31 ³ / ₈	3 ³ / ₈	20 ⁷ / ₁₆

- Glides are side mounted ball bearing with no soft close.

Sample Door - SD



Model	Description	Width	Height	Depth
SD	Dimension	11	15	3/4



M4C
**Mad4
Cabinetry**
mad4cabinetry.com